



# CBIsolid D

Innovation, Visualized.

## DESCRIPTION

**Equipped.** Featuring a sleek LED height and system information display, the CBIsolid D provides an outstanding overview of LOGICDATA's innovative control box systems. The Handset has the style to match its functionality – a modern look and feel, soft touch buttons and discreet under-desk mounting complete a memorable adjustable product.

## FEATURES

- Modern Look & Feel
- Soft Touch Buttons
- LED Height and System Information Display
- Responsive Up / Down Function
- Under-desk Mounting

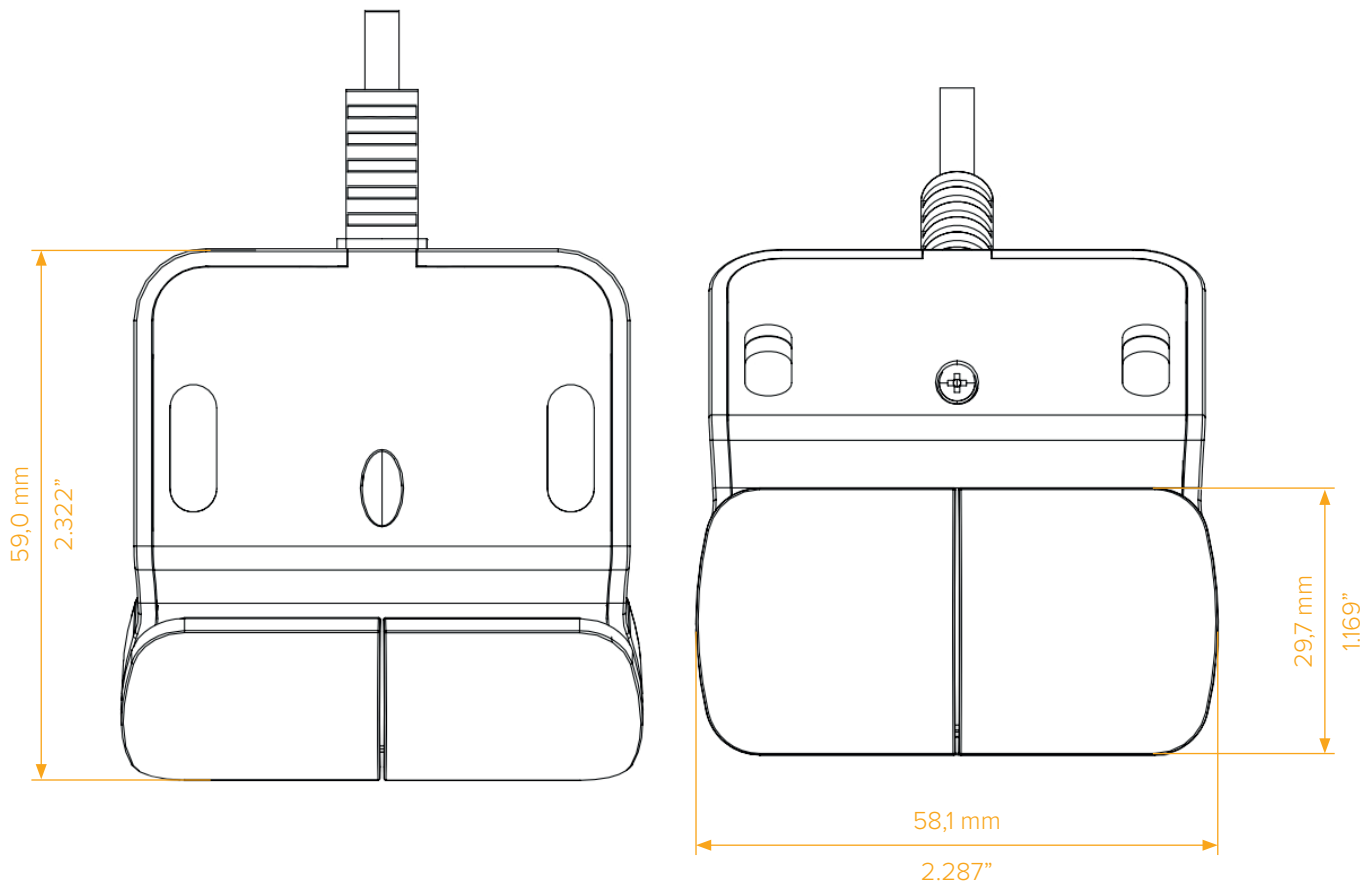
### Contact Headquarters

LOGICDATA Electronic & Software Entwicklungs GmbH  
Wirtschaftspark 18, 8530 Deutschlandsberg, [office.at@logicdata.net](mailto:office.at@logicdata.net)

### North America


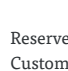
LOGICDATA North America Inc., 13617 Woodlawn Hills Dr.,  
Cedar Springs, MI 49319, USA, [office.na@logicdata.net](mailto:office.na@logicdata.net)





## TECHNICAL DATA

|  |   |
|--|---|
| <b>Supply voltage</b>                                  | 5 V DC $\pm$ 10%  |
| <b>Current Consumption (average)</b>                   | 15 mA   |
| <b>Current Consumption (standby)</b>                   | <0,1 mA   |
| <b>Cable length</b>                                    | 1800 mm   |
| <b>Dimensions (l x w x h )</b>                         | 59,0 x 58,1 x 29,7 mm / 2.322" x 2.287" x 1.169"  |
| <b>Ambient conditions during operation</b>             | +5 °C to +40 °C at max. 68% relative air humidity (non-condensing), up to an altitude of 2.000 m.   |
| <b>Ambient conditions during transport and storage</b> | -25 °C to +40 °C at max. 68% relative air humidity (non-condensing).<br>+40 °C to +60 °C at max. 32% relative air humidity (non-condensing).<br>Temperatures of more than 40 °C for periods not exceeding 10h.<br>Product must be acclimatised to acceptable operating conditions before assembly.<br>Contact LOGICDATA for exact specifications. |
| <b>Compatibility</b>                                   | All LOGICDATA Control Boxes, except integrated Control Units in the LOGICdrive and DYNAMIC MOTION families.   |
| <b>Degree of protection (IEC 60529)</b>                | IP 20   |
| <b>Standards and regulations</b>                       | RoHS directive 2011/65/EU   |
| <b>Order Code</b>                                      | <b>CBIsolid-D-y-z</b>   |

 Reserved, standard is blank  
 Customer Code, up to 3 characters, standard is "LD"