



COSMO Austin US

Everything is Bigger in Texas.

DESCRIPTION

The COSMO Austin reflects the free-wheeling vibe of one of America's most livable cities. Sleek, cool and simple to assemble, the frame features a pleasingly minimalist aesthetic and with a 1250 lbs weight limit, the COSMO Austin is strong enough to do the heavy lifting too – all this while maintaining the avantgarde design that made you fall in love with it in the first place.

FEATURES

- Low-Profile Frame with the Smallest Packaging
- Single-Person Assembly in just a few minutes
- Head Up and Foot up
- Wireless Remote Control
- Child Lock
- Pre-set Flat Button
- 2 pre-defined Memory Positions
- Emergency Lowering
- Free-fall Design
- Zero Clearance
- 1250 lbs Weight Limit
- 10-Year Limited Warranty

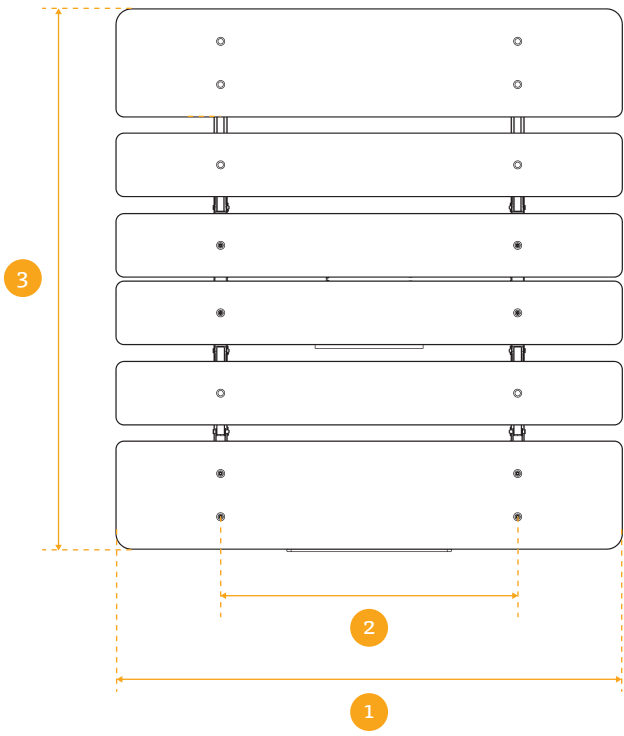
Contact Headquarters

LOGICDATA Electronic & Software Entwicklungs GmbH
Wirtschaftspark 18, 8530 Deutschlandsberg, office@logicdata.net

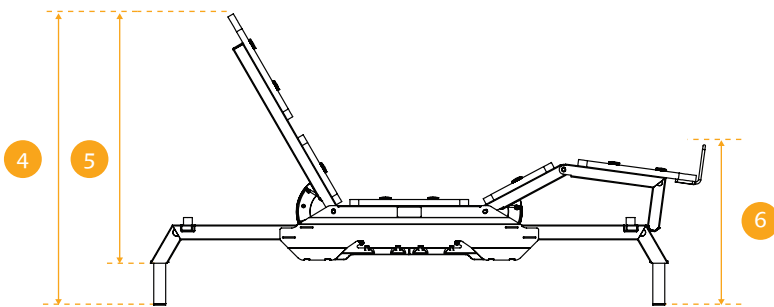
North America

LOGICDATA North America Inc., 13617 Woodlawn Hills Dr.,
Cedar Springs, MI 49319, USA, support.na@logicdata.net

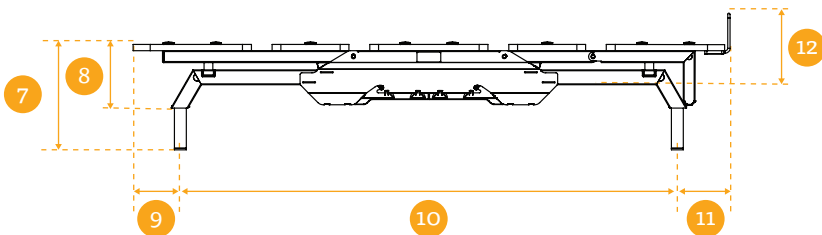




	Twin XL	Queen	King	Cal. King
1	37.2" / 945 mm	58.3" / 1 480 mm	74.2" / 1 885 mm	70.3" / 1 785 mm
2	26.0" / 660 mm	35.4" / 900 mm	47.2" / 1 200 mm	47.2" / 1 200 mm
3	78.7" / 2 000 mm	78.7" / 2 000 mm	78.7" / 2 000 mm	82.7" / 2 100 mm
4	41.9" / 1 063 mm	41.9" / 1 063 mm	41.9" / 1 063 mm	41.9" / 1 063 mm
5	33.1" / 840 mm	33.1" / 840 mm	33.1" / 840 mm	33.1" / 840 mm
6	24.6" / 624 mm	24.6" / 624 mm	24.6" / 624 mm	24.6" / 624 mm
7	17.3" / 440 mm	17.3" / 440 mm	17.3" / 440 mm	17.3" / 440 mm
8	8.5" / 217 mm	8.5" / 217 mm	8.5" / 217 mm	8.5" / 217 mm



9	6.3' / 159 mm
10	66.1" / 1 680 mm
11	7.0" / 178 mm
12	22.3" / 566 mm



TECHNICAL DATA

Input Voltage	100 - 240 VAC 3A
Rated Input Voltage/Current	2.2 A
Standby Power Consumption	1.8 W
Ambient Conditions (Operation)	+5 °C to +40 °C at max. 68% relative air humidity (non-condensing), up to an altitude of 2,000 m
Ambient Conditions (Transport/Storage)	-25° C to +40° C at max. 68% relative air humidity (non-condensing). +40° C to +60° C at max. 32% relative air humidity (non-condensing). Temperatures of more than 40 °C for periods not exceeding 10h. Product must be acclimatised to acceptable operating conditions before assembly. Contact LOGICDATA for exact specifications.
Max. Load (Including Mattress)*	1250 lbs (568 kg) evenly distributed
Wireless Working Frequency	2.4 GHz
IP Protection (IEC 60529)	IP20
Applicable Standards	RoHS 2011/65/EU FCC CFR 47 Part 15 Subpart B/C Dodd-Frank Wall Street Reform and Consumer Protection Act
Immunity to ESD Interference (EN 61000-6-2)	Conducted discharge: level 4 8 kV Air discharge: level 4 15 kV

* Max. Load may vary depending on Input Voltage

	Twin XL	Queen	King	Cal. King
Recommended mattress size (l x w)	2 032 mm x 990.6 mm 80" x 39"	2 032 mm x 1 524 mm 80" x 60"	2 032 mm x 1 930.4 mm 80" x 76"	2 134 mm x 1 829 mm 84" x 72"
Bed Dimensions (l x w x h**)	2 000 x 945 x 440 mm 78.74" x 37.20" x 17.3"	2 000 x 1 480 x 440 mm 78.74" x 58.27" x 17.3"	2 000 x 1 885 x 440 mm 78.74" x 74.21" x 17.3"	2 100 x 1 785 x 440 mm 82.7" x 70.3" x 17.3"
Package Dimensions	1 930 x 445 x 190 mm 76.0" x 17.52" x 7.48"	1 930 x 445 x 230 mm 76.0" x 17.52" x 9.05"	1 930 x 445 x 230 mm 76.0" x 17.52" x 9.05"	1 930 x 445 x 230 mm 76.0" x 17.52" x 9.05"
Product Weight	49.3 kg / 108.6 lbs	60.7 kg / 133.8 lbs	69.6 kg / 153.5 lbs	68.4 kg / 141.1 lbs
Package Weight	53.0 kg / 116.6 lbs	64.9 kg / 142.8 lbs	73.4 kg / 161.4 lbs	71.4 kg / 157 lbs
Order Code	SFS-AUS-TXL-LDS-US	SFS-AUS-QEN-LDS-US	SFS-AUS-KNG-LDS-US	SFS-AUS-CAL-LDS-US

** Max. Height measured from floor to Platform surface (Flat position) - Stackable legs: 3x3" / 3x76mm