



# COSMO Sydney EU

Pure and Simple.

## DESCRIPTION

The COSMO Sydney is a sanctuary for young, urban households with an eye for stunning ergonomic design. A perfectly-optimized core feature set – with smooth up/down motion and programmable memory positions – makes this stylish adjustable an ideal addition to the homes of users who value maximum flexibility with minimum cost, space, and fuss.

The minimalistic COSMO Sydney not only provides the flexibility that users desire, it does so via a low-profile design that means moving the bed – from room to room or to whole new living spaces – incredibly simple. In fact, a single person can assemble the entire bed frame in just a few minutes

Available sizes:

EU Small, EU Single, Single, EU Small Double, EU Double, EU King, EU Grand King (other sizes on request)

## FEATURES

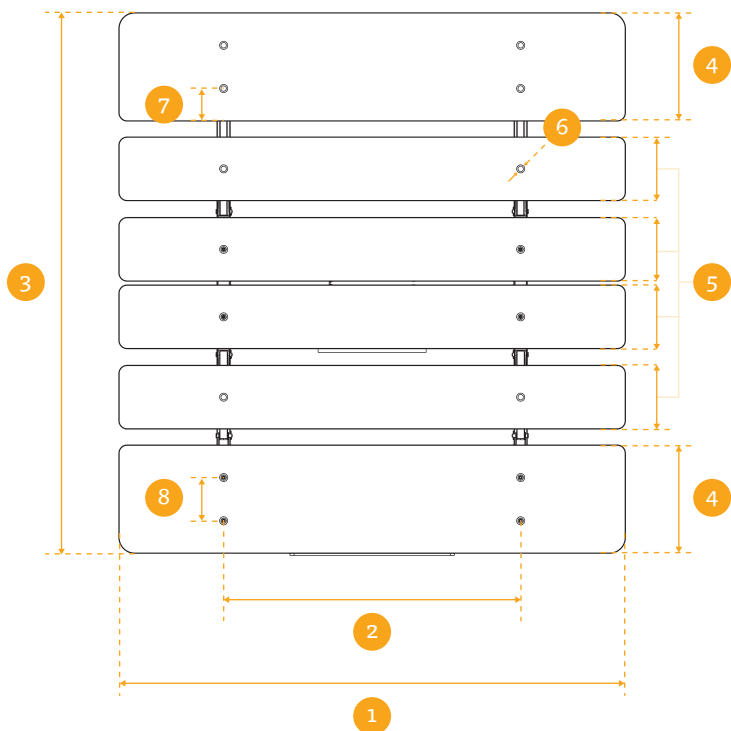
- Low-profile frame with the smallest packaging
- Single-person assembly in just a few minutes
- Head up and foot up
- Wireless remote control
- Child lock
- Pre-set flat button
- 2 pre-defined memory positions
- Emergency lowering
- Free-fall design
- Zero clearance
- 315 kg weight limit
- 10-year limited warranty

### Contact Headquarters

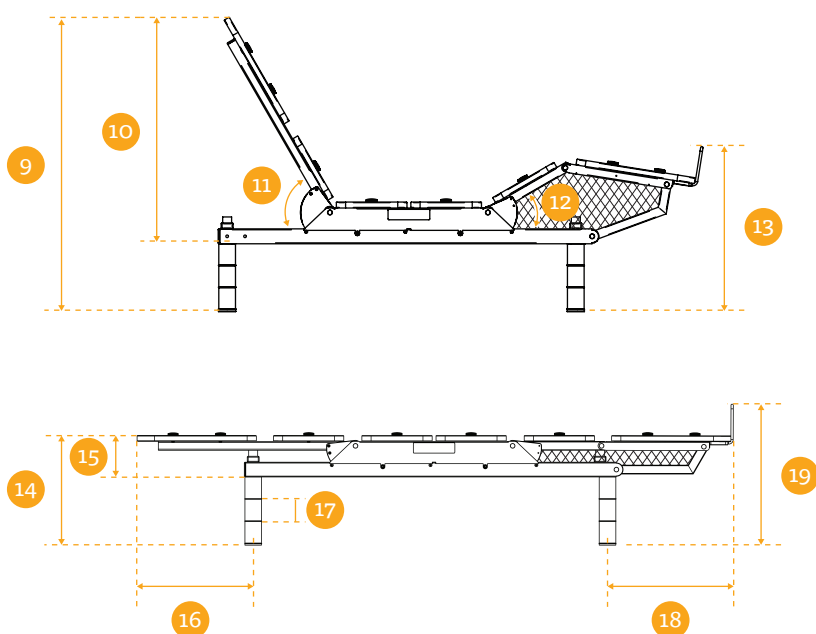
LOGICDATA Electronic & Software Entwicklungs GmbH  
Wirtschaftspark 18, 8530 Deutschlandsberg, [office.at@logicdata.net](mailto:office.at@logicdata.net)

### North America

LOGICDATA North America Inc., 13617 Woodlawn Hills Dr.,  
Cedar Springs, MI 49319, USA, [office.na@logicdata.net](mailto:office.na@logicdata.net)



	EU Small (mm)	EU Single (mm)	Single (mm)	EU Small Double (mm)	EU Double (mm)	EU King (mm)	EU Grand King (mm)
1	780 ± 1,5	880 ± 1,5	980 ± 1,5	1180 ± 1,5	1380 ± 1,5	1580 ± 1,5	1780 ± 1,5
2	660 ± 1	660 ± 1	660 ± 1	900 ± 1	900 ± 1	900 ± 1	1100 ± 1
3	1960 ± 5	1960 ± 5	1960 ± 5	1960 ± 5	1960 ± 5	1960 ± 5	1960 ± 5
4	380 ± 1,5	380 ± 1,5	380 ± 1,5	380 ± 1,5	380 ± 1,5	380 ± 1,5	380 ± 1,5
5	235 ± 1,5	235 ± 1,5	235 ± 1,5	235 ± 1,5	235 ± 1,5	235 ± 1,5	235 ± 1,5
6	Ø 23,5 ± 0,5	Ø 23,5 ± 0,5	Ø 23,5 ± 0,5	Ø 23,5 ± 0,5	Ø 23,5 ± 0,5	Ø 23,5 ± 0,5	Ø 23,5 ± 0,5
7	120 ± 1	120 ± 1	120 ± 1	120 ± 1	120 ± 1	120 ± 1	120 ± 1
8	160 ± 1	160 ± 1	160 ± 1	160 ± 1	160 ± 1	160 ± 1	160 ± 1



9	989 mm
10	759 mm
11	60°
12	30°
13	548 mm
14	370 mm
15	140 mm
16	390 mm
17	75 mm
18	416 mm
19	472 mm

# TECHNICAL DATA

<b>Rated input voltage/current</b>	230 V/1,8 A
<b>Standby power consumption</b>	<0,25 W
<b>Ambient conditions (operation)</b>	Temperature between 5 °C and 40 °C. Maximum relative humidity between 95% and 68% (lower allowed)
<b>Ambient conditions (transport/storage)</b>	Temperature between -35 °C and 80 °C. Temperature over 50 °C only for periods not exceeding 72 h. Maximum relative humidity between 95% and 5% (lower allowed)
<b>Max. load (including mattress)*</b>	315 kg evenly distributed
<b>Wireless working frequency</b>	2,4 GHz
<b>IP protection (IEC 60529)</b>	IP20
<b>Compliant regulations</b>	Radio Equipment Directive (RED) 2014/53/EU   Directive on Machinery (MD) 2006/42/EC   Restriction of Hazardous Substances (RoHS) 2011/65/EU
<b>Immunity to ESD interference (EN 61000-6-2)</b>	Conducted discharge: level 4   8 kV Air discharge: level 4   15 kV

	EU Small	EU Single	Single	EU Small Double	EU Double	EU King	EU Grand King
Recommended mattress size (l x w) (mm)	2 000 x 800	2 000 x 900	2 000 x 1 000	2 000 x 1 200	2 000 x 1 400	2 000 x 1 600	2 000 x 1 800
Bed Dimensions (l x w x h**) (mm)	1 960 x 780 x 370	1 960 x 880 x 370	1 960 x 980 x 370	1 960 x 1 180 x 370	1 960 x 1 380 x 370	1 960 x 1 580 x 370	1 960 x 1 780 x 370
Package dimensions (l x w x h) (mm)	1 927 x 456 x 140	1 927 x 456 x 140	1 927 x 456 x 180	1 927 x 456 x 180	1 927 x 456 x 180	1 927 x 456 x 180	1 927 x 456 x 180
Product Weight (kg)	38,3	40,1	41,9	46	49,6	53,2	57,5
Package Weight (kg)	41,3	43,1	44,9	50,9	54,5	58,1	62,3
Order code	SFS-SYD-080-LDS-EU	SFS-SYD-090-LDS-EU	SFS-SYD-100-LDS-EU	SFS-SYD-120-LDS-EU	SFS-SYD-140-LDS-EU	SFS-SYD-160-LDS-EU	SFS-SYD-180-LDS-EU

\* Max. Load may vary depending on Input Voltage

\*\* Height measured from floor to Platform surface (flat position)