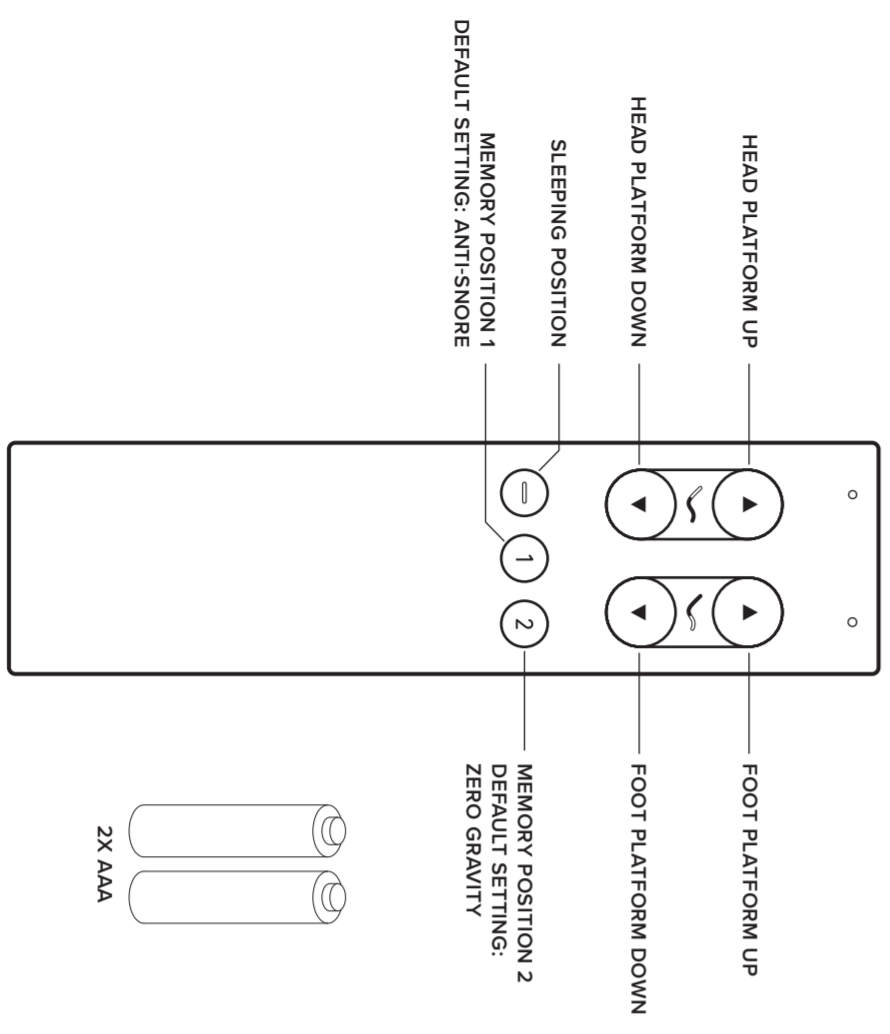


# COMPONENT overview

# REMOTE control



FOR FURTHER DETAILS READ THE ORIGINAL INSTRUCTIONS



# QUICK START GUIDE

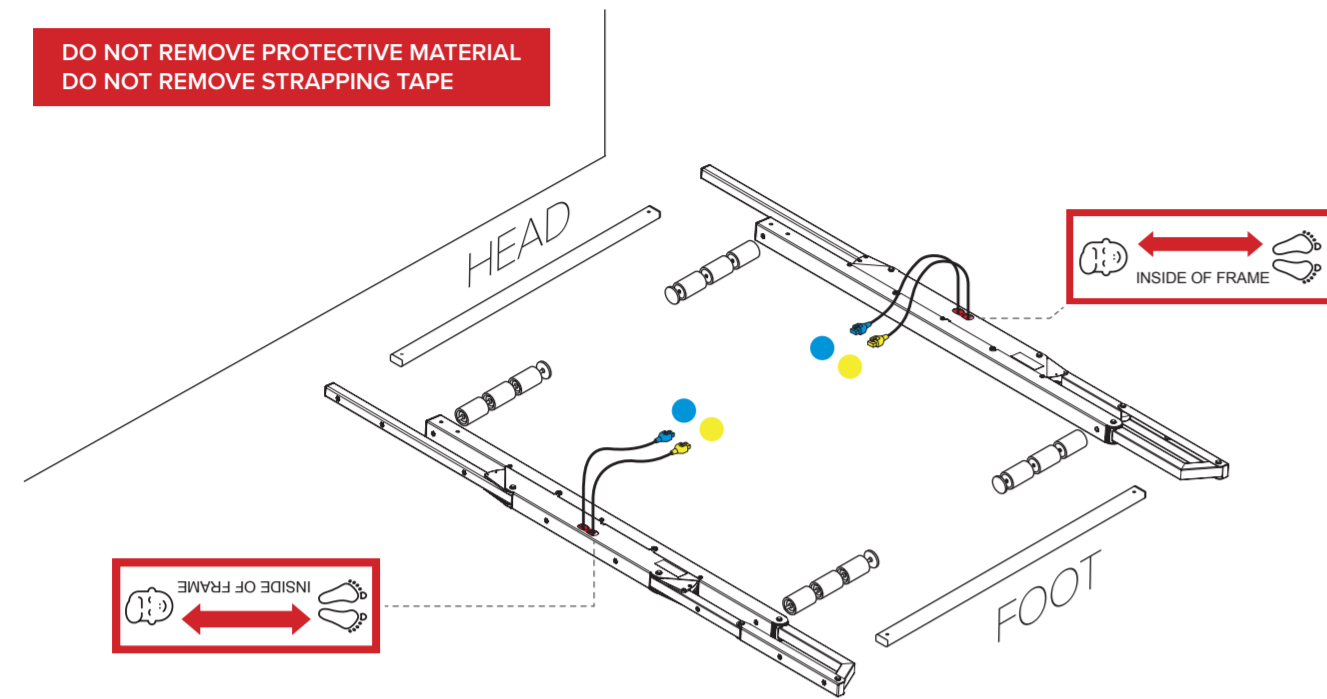
SEPTEMBER 2023

# ASSEMBLY

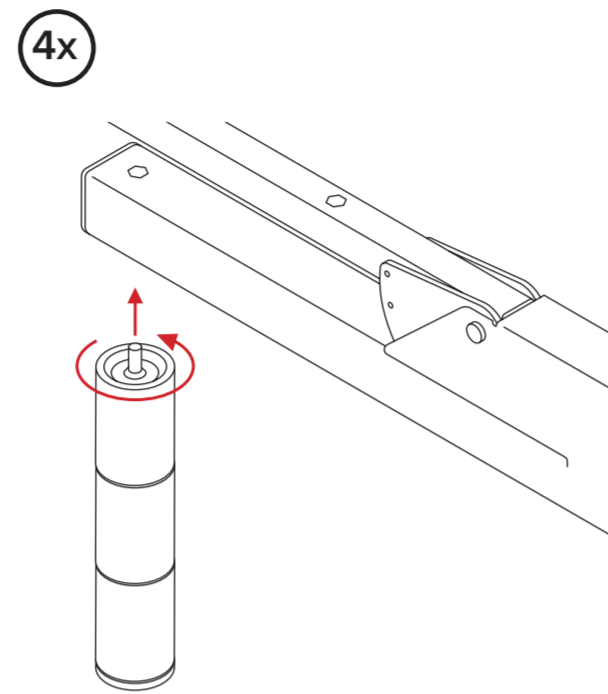
The Quick Start Guide is not a substitute for the product documentation. For your own safety, read the complete product documentation before assembling the Bed Frame and putting it into operation.

**01** LAY ALL FRAME ELEMENTS ON THE GROUND, USE LABELS ON SIDE RAILS FOR ORIENTATION.

DO NOT REMOVE PROTECTIVE MATERIAL  
DO NOT REMOVE STRAPPING TAPE

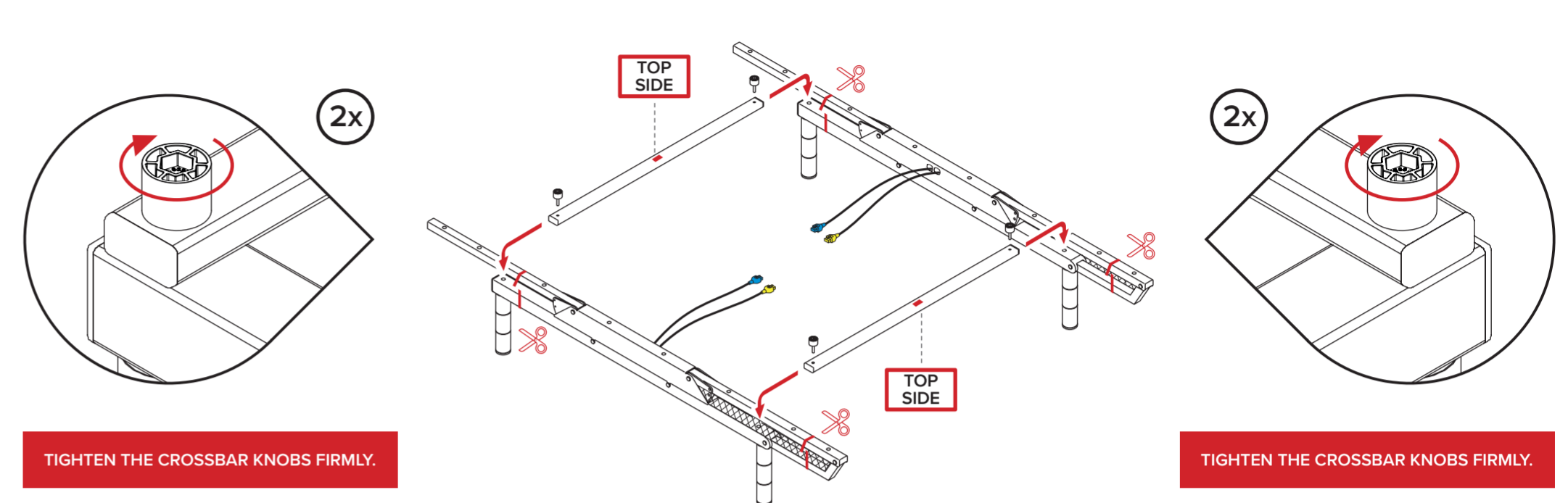


**02** INSERT LEGS AND TURN UNTIL HAND TIGHT.



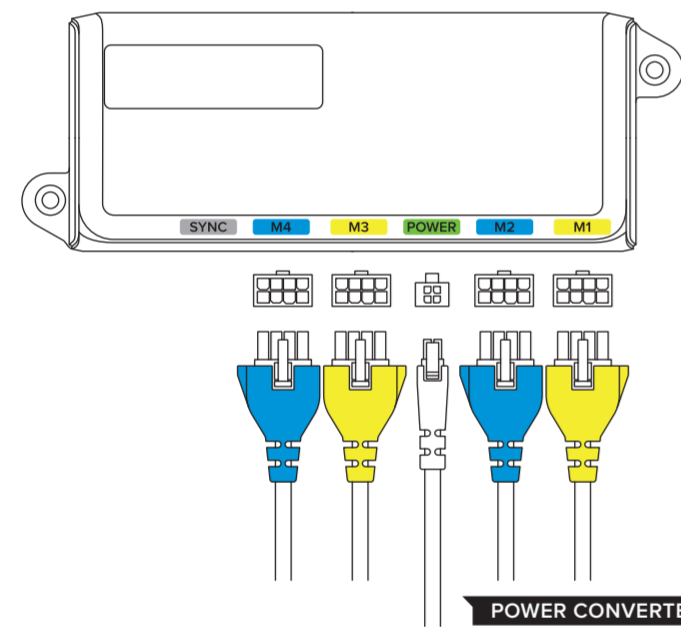
**03** CONNECT BOTH CROSSBARS TO THE SIDE RAILS. ENSURE THE THREAD PASSES THROUGH THE HOLE AT THE END OF THE CROSSBAR. ENSURE THE CROSSBARS ARE ORIENTED CORRECTLY.

REMOVE STRAPPING TAPE BEFORE MOUNTING THE CROSSBARS

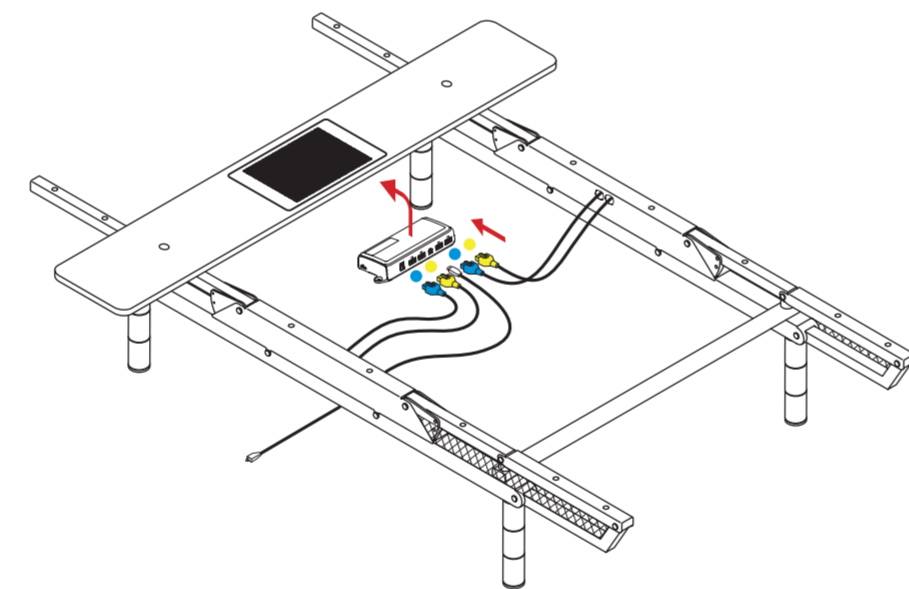


**04** CONNECT THE CABLES, ENSURE ALL PLUGS ARE ORIENTED CORRECTLY

DO NOT CONNECT THE SYSTEM TO THE MAINS BEFORE FINISHING ASSEMBLY

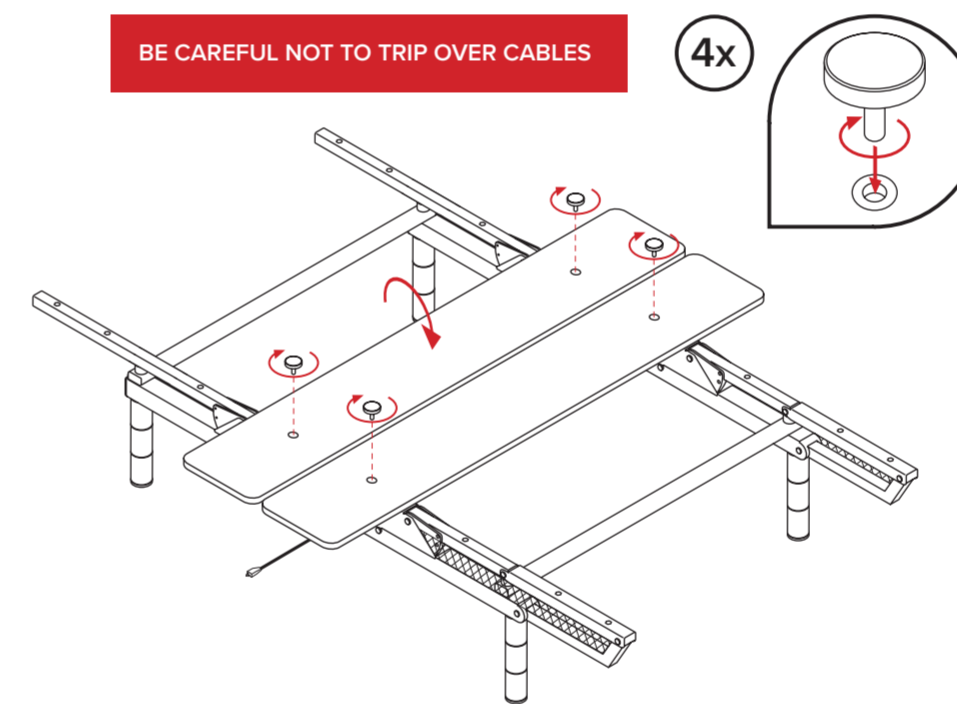


**05** LAY THE BASE PLATFORM WITH THE NET FACING UP AND PLACE THE CONTROL BOX INTO THE NET

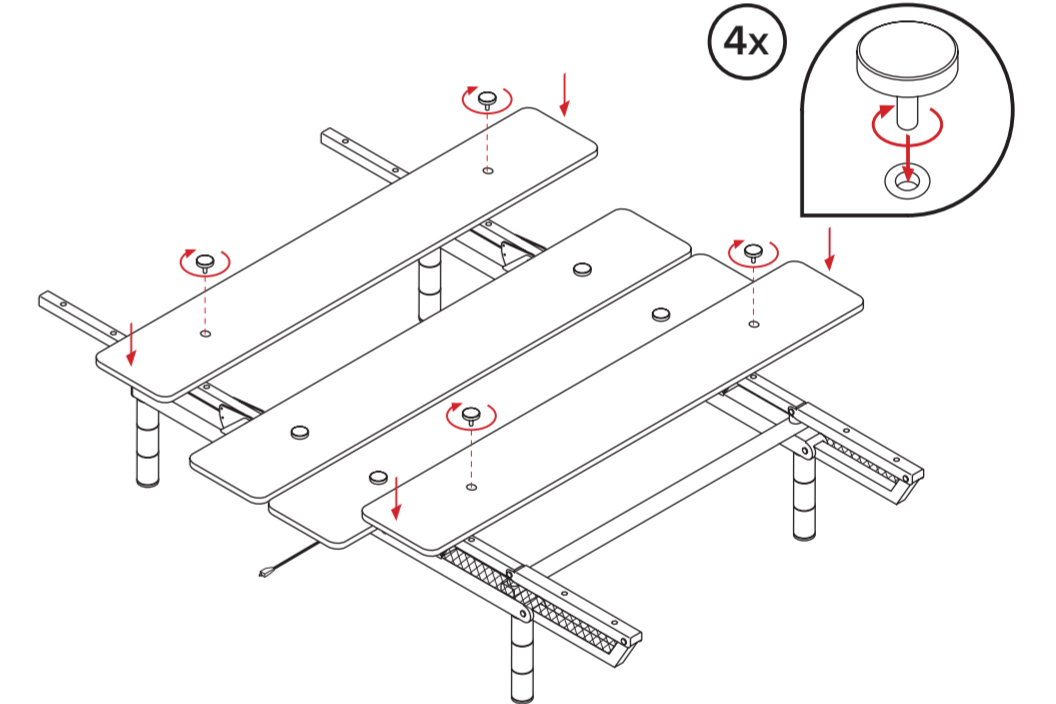


**06** TURN THE PLATFORM, PLACE CENTRALLY AND TURN SCREWS UNTIL HAND TIGHT.

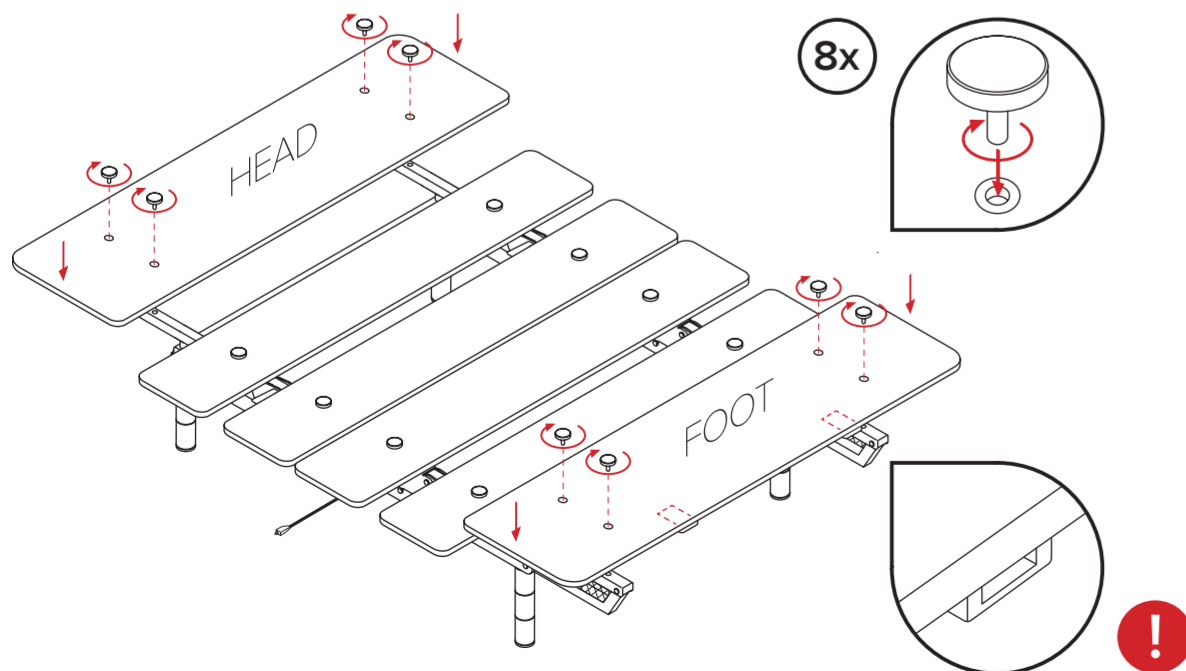
BE CAREFUL NOT TO TRIP OVER CABLES



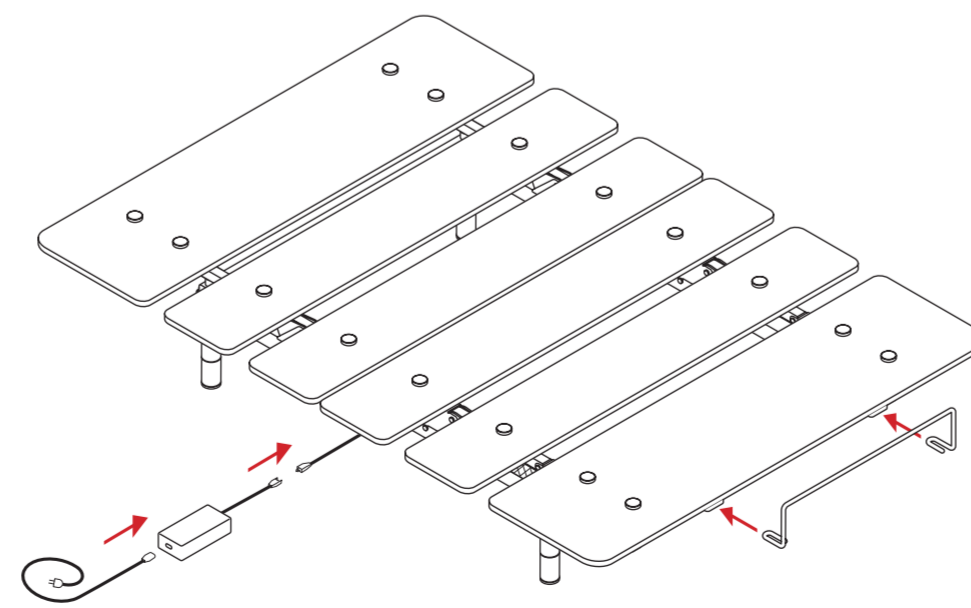
**07** PLACE THE INNER PLATFORMS NEXT TO THE BASE PLATFORMS. TURN SCREWS UNTIL HAND TIGHT.



**08** ENSURE HEAD AND FOOT PLATFORMS ARE ORIENTED CORRECTLY. TURN SCREWS UNTIL HAND TIGHT.



**09** PUSH RETAINER BAR TO CLICK INTO PLACE AND CONNECT POWER CABLES TO POWER CONVERTER



**10** BEFORE USING YOUR ADJUSTABLE BED FOR THE FIRST TIME:

- Place the mattress on the Bed Frame.
- Press any button to pair your Remote Control with the Bed Frame.
- Plug the Power Converter into the mains.
- Relax!

