



# COSMO Vienna Luxe US

Goodnight, Vienna.

## DESCRIPTION

Even when the Viennese sleepwalk, they do it with swagger. The effortless style of the Austrian capital is honored by the COSMO Vienna. The flagship product of the COSMO Line provides distinctive style, poise, and comfort to the collection: an irreplicable elegance that fits perfectly into every day.

All COSMO Vienna models feature nightstand reach – the only compact and shippable adjustable on the market to do so – ensuring exceptional functionality and ultimate convenience. With the expansive Vienna Luxe, users gain even more features, including USB ports, vibration massage, an underbed light and Bluetooth/app connectivity.

Available sizes:  
Twin XL, Queen

## FEATURES

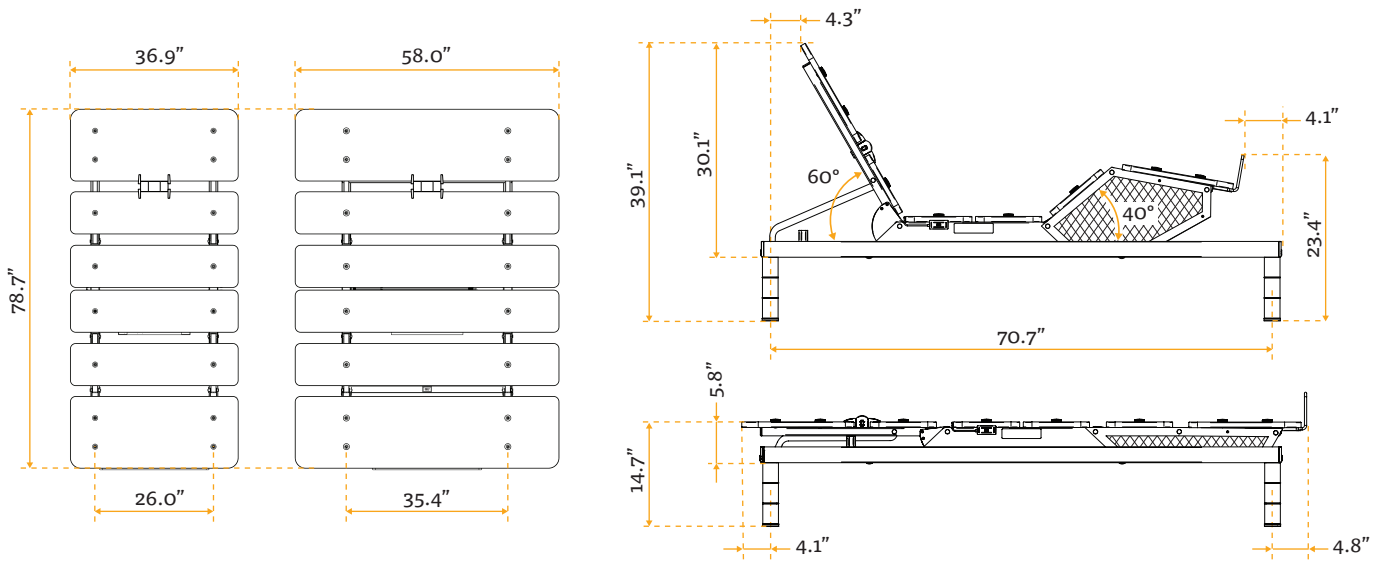
- Low-profile frame with the smallest packaging
- Single-person assembly in just a few minutes
- Head Up and Foot Up
- Wireless Remote Control
- Child Lock
- Pre-set Flat Button
- 2 pre-defined Memory Positions
- Emergency Lowering
- Free-fall Design
- Zero clearance
- Nightstand Reach
- 700 lbs Weight Limit
- 10-Year Limited Warranty
- Under bed light
- USB ports
- Massage function (head and foot)

### Contact Headquarters

LOGICDATA Electronic & Software Entwicklungs GmbH  
Wirtschaftspark 18, 8530 Deutschlandsberg, [office.at@logicdata.net](mailto:office.at@logicdata.net)

### North America

LOGICDATA North America Inc., 13617 Woodlawn Hills Dr.,  
Cedar Springs, MI 49319, USA, [office.na@logicdata.net](mailto:office.na@logicdata.net)



# TECHNICAL DATA

<b>Input voltage</b>	100-240 VAC
<b>Rated input current</b>	2.2 A
<b>Standby power consumption</b>	<0.25 W
<b>Standby power consumption</b>	Temperature between 5 °C and 40 °C. Maximum relative humidity between 95% and 68% (lower allowed)
<b>Ambient conditions (transport/storage)</b>	Temperature between -35 °C and 80 °C. Temperature over 50 °C only for periods not exceeding 72 h. Maximum relative humidity between 95% and 5% (lower allowed)
<b>Max. load (including mattress)*</b>	700 lbs evenly distributed
<b>Wireless working frequency</b>	2.4 GHz
<b>IP Protection (IEC 60529)</b>	IP20
<b>Compliant Regulations</b>	FCC CFR 47 Part 15 Subpart B/C Restriction of Hazardous Substances (RoHS) 2011/65/EU
<b>Immunity to ESD interference (EN 61000-6-2)</b>	Conducted discharge: level 4   8 kV Air discharge: level 4   15 kV

	Twin XL	Queen
Recommended mattress size (l x w)	80" x 39"	80" x 60"
Bed dimensions (l x w x h**)	78.7" x 36.9" x 14.7"	78.7" x 58.0" x 14.7"
Package dimensions (l x w x h)	75.6" x 17.3" x 7.5"	75.6" x 17.3" x 7.5"
Product weight	110.0 lbs	139.0 lbs
Package weight	121.0 lbs	149.0 lbs
Order code	SFS-VIE-TXL-LDS-A	SFS-VIE-QEN-LDS-A

\* Max. Load may vary depending on Input Voltage

\*\* Height measured from floor to Platform surface (flat position)