

COSMO VIENNA ADJUSTABLE BED FRAME OWNER'S MANUAL

CONTENTS

01. SAFETY	03
02. INTRODUCTION	08
03. BOX CONTENTS.....	10
04. ASSEMBLY	12
05. OPERATION	20
06. DISASSEMBLY AND TRANSPORTATION.....	24
07. CLEANING AND MAINTENANCE.....	25
08. TROUBLESHOOTING.....	26
09. TECHNICAL DATA.....	28
10. FINAL DISPOSAL.....	28



COPYRIGHT®

This original documentation is protected by copyright. All rights, especially the rights to translate or reproduce the document, are reserved. No part of this manual may be reproduced mechanically, electronically, or by other means, in any form, without prior written permission of LOGICDATA Electronic & Software Entwicklungs GmbH. Violations involving copyright may result in legal action.

2023 LOGICDATA Electronic & Software Entwicklungs GmbH

CONTACT INFORMATION

LOGICDATA Electronic & Software-
Entwicklungs GmbH
Wirtschaftspark 18
8530 Deutschlandsberg
Austria

LOGICDATA North America Inc.
13617 Woodlawn Hills Dr.
Cedar Springs, MI 49319 USA
T: +1 616 328 8841
office.na@logicdata.net

1. SAFETY

IMPORTANT SAFETY INSTRUCTIONS

This Owner's Manual was designed according to the UL 962 Standard for Household and Commercial Furnishing. It contains safety instructions. All users must read the Owner's Manual. All users have a responsibility to observe the safety instructions. Important accident prevention advice is found in this chapter.

This Class B digital apparatus complies with Canadian ICES-003.

Cet appareil numérique de la classe B est conforme à la norme NMB-003 du Canada.

GENERAL SAFETY INFORMATION

The following safety regulations and obligations are valid when handling the system:

- Do not operate the product unless it is in full working order
- Do not remove, change, bridge, or bypass any protection or safety features
- Do not convert or modify the Adjustable Bed Frame without written approval
- Do not use unauthorized spare parts for repair
- Only physically able adults are allowed to assemble the product
- Do not attempt to change or replace parts unless the product is in a de-energized state
- Ensure that no children or animals are in the proximity of the Bed Frame when operating it
- Ensure nothing obstructs the Bed Frame's range of motion (e.g. night stands or open windows)
- Do not sit directly on any Platform when operating the Bed Frame. Distribute your weight evenly

INTENDED USE

The Adjustable Bed Frame is an electrically controlled Bed Frame. Its sole intended use is described in this documentation. The Adjustable Bed Frame is designed for indoor use and household use only. Outdoor use is forbidden. The Bed Frame is operated by a Remote Control.

HOSPITAL/MEDICAL DISCLAIMER

The Adjustable Bed Frame is not designed to comply with medical or hospital standards. It is therefore not suitable for domestic or commercial medical use.

- Do not use the Bed Frame near to tent type oxygen or therapy equipment
- Do not use the Bed Frame near to other potentially explosive gases

The Adjustable Bed Frame may only be used with suitable mattresses. Suitable mattresses must comply with Federal Register 16 CFR Part 1633. If unsure, ask your mattress provider if your mattress is compatible with electrically adjustable Bed Frames. The Bed Frame must not be used without a mattress, or with water-based mattresses. The Bed Frame may only be assembled and used by adults. It is not designed for children or animals.

The recommended maximum load on the Bed Frame is 700 lbs (including the mattress). Weight must be distributed evenly. No individual Platform is designed to support or lift this weight. Users should get in and out of bed only when the Bed Frame is in a flat (horizontal) position. Do not place your entire weight on the head or foot section, especially if the Bed Frame is in an elevated position. Do not stand on the Bed Frame or Platforms at any time. Exceeding the recommended maximum load could damage the product and void the warranty.

Usage outside of the intended use described in this Owner's Manual is only allowed with written consent by LOGICDATA. Improper operation or usage outside of the intended use can result in personal injury and damage to the system. Liability and warranty claims are void in cases of usage outside of the intended use.

REASONABLY FORESEEABLE MISUSE

Reasonably foreseeable misuse with the Adjustable Bed Frame includes, but is not limited to:

- Using the Bed Frame as a climbing aid
- Jumping on the Bed Frame
- Allowing children or animals to climb on or under the Bed Frame
- Using the Bed Frame without a mattress or with a water-based mattress
- Overloading the Bed Frame (max. load is 700 lbs evenly distributed)
- Continuous use of the Bed Frame (see below)

NOTICE

The Bed Frame is not designed for continuous operation. If the motors are overworked, the Bed Frame will time-out automatically for several minutes. During this time, you will not be able to operate the Bed Frame. Continued excessive use of the Bed Frame can damage the product.

- Do not operate the Bed Frame continuously
- If the time-out is reached, do not operate the Bed Frame for at least 6 minutes. This will reset the time-out

TARGET AUDIENCE

This Manual is addressed to all adults responsible for assembling the Bed Frame, who:

- Have (at least) basic technical knowledge
- Are physically able to lift the components
- Have fully read and understood this Owner's Manual

EXPLANATION OF SYMBOLS AND SIGNAL WORDS

DANGER

The signal word DANGER indicates a hazardous situation which, if not avoided, will result in death or serious injury.

WARNING

The signal word WARNING indicates a hazardous situation which, if not avoided, could result in death or serious injury.

CAUTION

The signal word CAUTION indicates a hazardous situation which, if not avoided, could result in minor or moderate injury.

NOTICE

The signal word NOTICE indicates a situation that will not lead to personal injury, but could lead to damage to the product or the environment.

RESIDUAL RISKS

Residual risks are the risks that remain after all relevant safety standards have been complied with. These have been evaluated through a thorough risk assessment. Read all instructions before assembling and operating the Bed Frame.

DANGER

To reduce the risk of electric shock:

- Always unplug the Bed Frame from the electrical outlet before cleaning.
-

WARNING

To reduce the risk of burns, fire, electric shock, or injury to persons:

- Unplug the Bed Frame from the outlet before putting on or taking off parts.
 - Close supervision is necessary when the Bed Frame is used by, or near children, invalids, or disabled persons.
 - Use this Bed Frame only for its intended use as described in these instructions. Do not use attachments not recommended by the manufacturer.
 - Never operate the Bed Frame if it or any parts have a damaged Cable or Plug, are not working properly, have been dropped or damaged, or dropped into water. Return the bed for examination and repair or replace it.
 - Ensure suitable Cable types are used. Acceptable Cable types are defined as those 10 ft (3 m) in length and that are at least as servicable as SP-2, SPE-2, SPT-2, SV, SVE or SVT types.
 - Keep all Cables away from heated surfaces.
 - Never drop or insert any object into any opening.
 - Do not use outdoors.
 - Do not operate the Bed Frame where aerosol (spray) products are being used or where oxygen is being administered.
 - To disconnect the Bed Frame, turn all controls to the off position, then remove plug from outlet.
 - **WARNING:** Risk of injury – keep children away from the extended foot support (or other similar parts).
 - **WARNING:** Risk of electric shock –connect this furnishing to a properly grounded outlet only. See Grounding Instructions.
-

WARNING

Moderate risk of death or serious injury

The Adjustable Bed Frame can withstand a maximum load of 700 lbs (evenly spread, including mattress). Overloading the Bed Frame, or any single Platform, may lead to death or serious injury.

- Do not overload the Bed Frame under any circumstances
 - Do not stand on the Bed Frame
 - Do not apply the maximum load to the Foot or Head Platforms
 - Do not sit on the mattress while the Bed Frame is in motion. Distribute your weight evenly
-

WARNING

Risk of electric shock, fire, and injury

Review the instructions to ensure the appropriate critical components and accessories are being used with the furnishing.

WARNING

Moderate risk of death or serious injury

Opening electrical components, or attempting improper conversions or modifications to electrical or mechanical components on the Bed Frame may lead to death or serious injury.

- Do not convert or modify the Adjustable Bed Frame
 - Never open electrical components
-

WARNING

Moderate risk of death or serious injury through crushing

Crawling, laying, or reaching underneath the Bed Frame may lead to death or serious injury through crushing.

- Do not crawl, lay, or reach underneath the Bed Frame
-

WARNING

Moderate risk of death or serious injury in explosive atmospheres

Operating the Adjustable Bed Frame in potentially explosive atmospheres may lead to death or serious injury through explosions.

- Read the relevant directives to determine whether an atmosphere is potentially explosive
 - Do not operate the Adjustable Bed Frame in potentially explosive atmospheres
-

WARNING

Moderate risk of death or serious injury through crushing

When the Bed Frame moves to a new position, it is possible that persons will be crushed between the Bed Frame and foreign objects. This may lead to death or serious injury.

- Do not store foreign objects underneath the Bed Frame
 - Ensure nothing obstructs the Bed Frame's range of motion (e.g. night stands or open windows)
-

WARNING

Moderate risk of death or serious injury to children

Misuse of the Bed Frame around children may lead to death or serious injury.

- Activate the Child Lock when children are present
 - Keep children away from moving Platforms
 - Do not allow children to play with the Bed Frame
-

SAVE THESE INSTRUCTIONS

2. INTRODUCTION

PREFACE

With the Adjustable Bed Frame, every effort has been made to ensure your comfort and safety. Each Bed Frame is rigorously tested to comply with all relevant safety standards and their requirements.

This Owner's Manual is intended to enable persons to assemble and operate the Bed Frame safely. However, incorrect installation of the product, or usage outside of the intended use described in this Owner's Manual may lead to hazardous situations. In Chapter 1, "Safety", and throughout this Owner's Manual, potential risks, their consequences, and steps to avoid harm are explained.

Observing the safety instructions in this Owner's Manual will help you to avoid hazards and minimize damage to the system. All persons involved in the assembly of the system must have the full product documentation available to them at all times. Product documentation consists of this Owner's Manual and any other relevant documents supplied by the manufacturer. Documentation must always be kept complete and legible.

Contact information can be found on page 2 of the Owner's Manual.

Visit www.adjustables.logicdata.net/customer-care for a full list of customer support options.

LIABILITY

The descriptions of product characteristics in this Owner's Manual are not a guarantee of the presence of these characteristics. LOGICDATA is not liable for damage or injury caused by:

- Improper product use
- Disregard of the documentation
- Unauthorized product alterations
- Improper work on and with the Adjustable Bed Frame
- Operation of damaged products
- Improperly performed repairs
- Unauthorized changes to the operating parameters
- Disasters, external influence, and force majeure

LOGICDATA assumes no liability for technical or printing errors, for deficiencies in this documentation, or for damages caused directly or indirectly by the delivery, performance, or usage of this documentation.

FCC STATEMENT

The Radio Frequency for this product is 2.4 GHz

FCC COMPLIANCE

The Adjustable Bed Frame complies with FCC CFR 47 Part 15 Subpart B/C. Operation is subject to the following conditions:

1. The product may not cause harmful interference
2. The product must accept any interference received, including interference that may cause undesired operation

To comply with the FCC RF exposure compliance requirements, you may not make any changes to the product or the antenna. Changes to the antenna or the product could result in the product exceeding the RF exposure requirements. This may void your authority to use the product.

SERVICING OF DOUBLE-INSULATED PRODUCTS

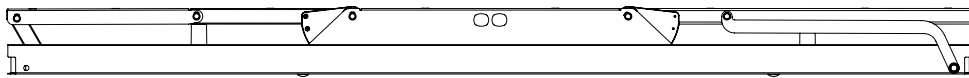
In a double-insulated product, two systems of insulation are provided instead of grounding.

No grounding means is provided on a double-insulated product, nor is a means for grounding to be added to the product. Servicing a double-insulated product requires extreme care and knowledge of the system, and is to be done only by qualified service personnel. Replacement parts for a double-insulated product must be identical to the parts they replace. A double-insulated product is marked with the words "DOUBLE INSULATION" or "DOUBLE INSULATED." The symbol (square within a square) is also able to be marked on the product.

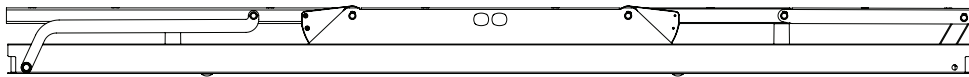
3. BOX CONTENTS

The Adjustable Bed Frame is delivered in one box. The box contains all the parts and tools necessary to fully assemble and operate the system. Upon opening the packaging, use this checklist to ensure all the parts are present and in perfect condition. If any part is damaged or missing, contact LOGICDATA. You can find the relevant contact details at the beginning of the Owner's Manual. Ensure that the box is stored in a flat position in a dry place at room temperature.

A SIDE RAIL (RIGHT)



B SIDE RAIL (LEFT)



C 4x LEG



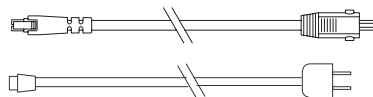
D 2x CROSSBAR



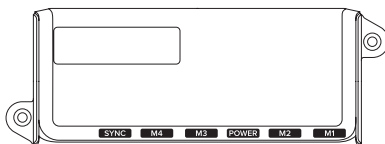
E 4X CROSSBAR KNOB



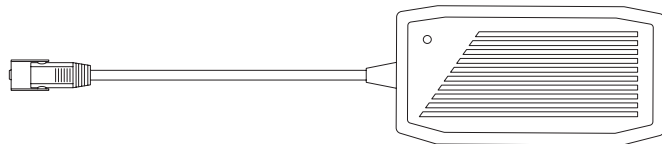
J POWER CABLES



I CONTROL BOX



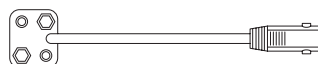
K POWER CONVERTER



X SYNC CABLE



Y EMERGENCY LOWERING STRAP



F HEAD PLATFORM



G1 INNER PLATFORM



H BASE PLATFORM



G2 INNER PLATFORM



G3 INNER PLATFORM



L FOOT PLATFORM



M 16X PLATFORM SCREW



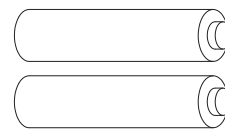
N RETAINER BAR



REMOTE CONTROL



2X AAA BATTERIES



QUICK START GUIDE

OWNER'S MANUAL

4. ASSEMBLY

TOOLS AND EQUIPMENT

The Adjustable Bed Frame should be assembled by two adults. If you assemble the Bed Frame alone, be careful when lifting heavy parts. Ensure the assembly area is larger than the Bed Frame. Follow the steps carefully to assemble the Bed Frame correctly.

UNPACKAGING

Lay the packaging flat on the ground, ensuring it is the right way up (see notices on the packaging). Carefully open the packaging and check its contents, as described in Chapter 3, "Box Contents".

WARNING

Moderate risk of death or serious injury to children and animals

The plastic packaging of the Bed Frame is a potential suffocation hazard. Leaving children or animals unsupervised with the empty packaging may lead to death through suffocation.

- Do not leave children or animals unsupervised
- Dispose of unnecessary packaging immediately

NOTICE

Ensure all parts are at room temperature. Parts that are too cold or hot may affect assembly.

NOTICE

Do not use a knife or a sharp object to unpackage the Bed Frame. This may damage the product.

NOTICE

Placing the parts directly onto a hard floor may cause damage to the floor or the parts themselves.

- Use the cardboard packaging material to cushion the impact and avoid damage.

CAUTION

Risk of minor or moderate injury through cutting

Contact with sharp edges may lead to minor or moderate injury through cutting.

- Avoid contact with sharp edges

STEP 1: PREPARING THE OUTER FRAME

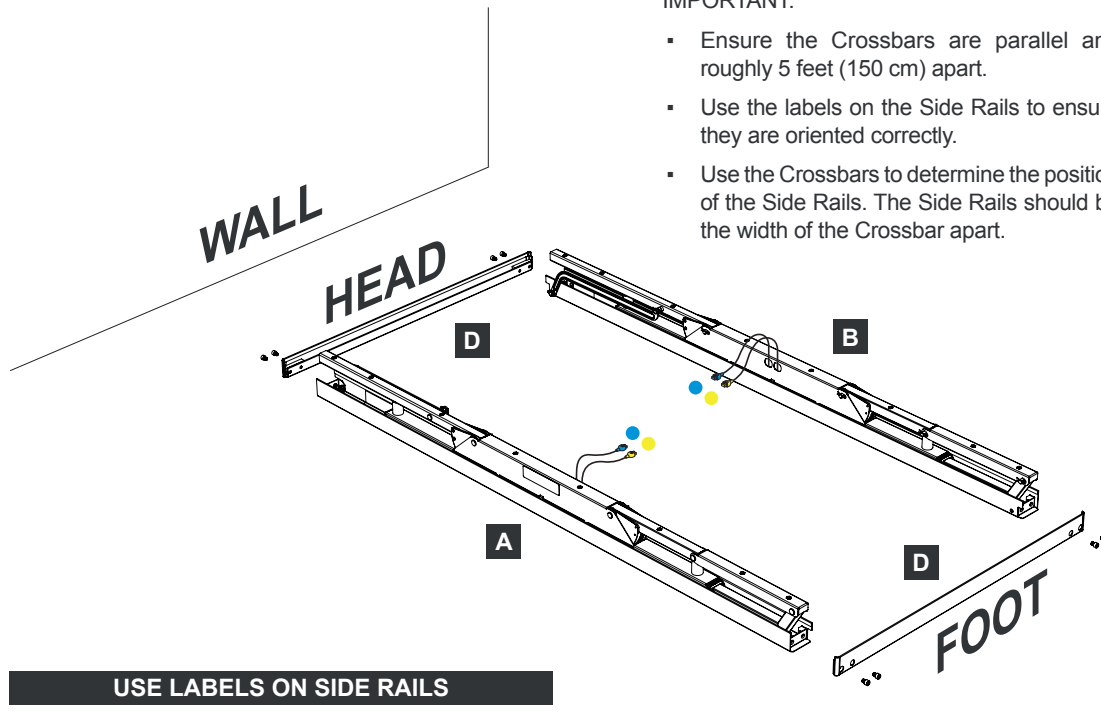
DO NOT REMOVE PROTECTIVE MATERIAL

DO NOT REMOVE STRAPPING TAPE

Lay the Crossbars (**D**) and Side Rails (**A**, **B**) on the ground, as shown in the picture.

IMPORTANT:

- Ensure the Crossbars are parallel and roughly 5 feet (150 cm) apart.
- Use the labels on the Side Rails to ensure they are oriented correctly.
- Use the Crossbars to determine the position of the Side Rails. The Side Rails should be the width of the Crossbar apart.



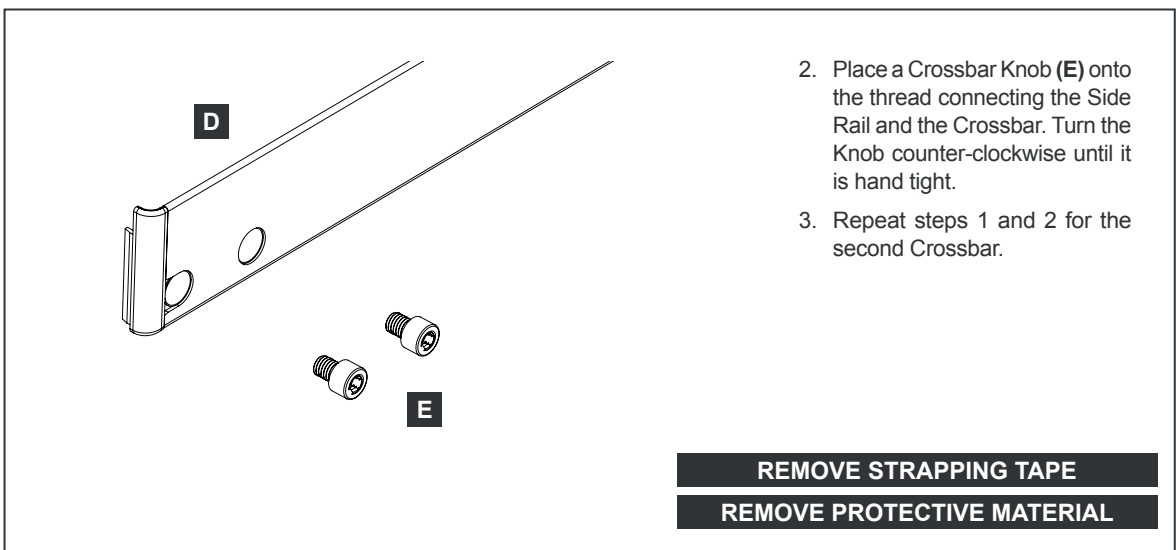
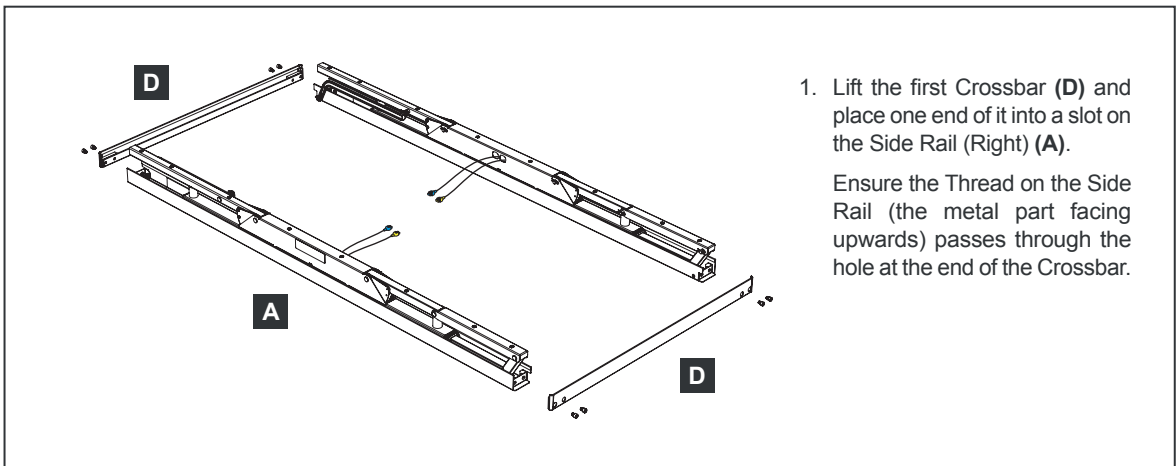
STEP 2: CONNECTING THE BARS

⚠ CAUTION

Risk of minor or moderate injury through crushing

The Side Rails are not secured while they are standing alone. If they fall over, this may lead to minor or moderate injury through crushing.

- Do not attempt to stand the Side Rails upright before they are connected to the Crossbars
- Be careful not to knock over the Side Rails
- Ensure that you are wearing suitable footwear while assembling the Bed Frame

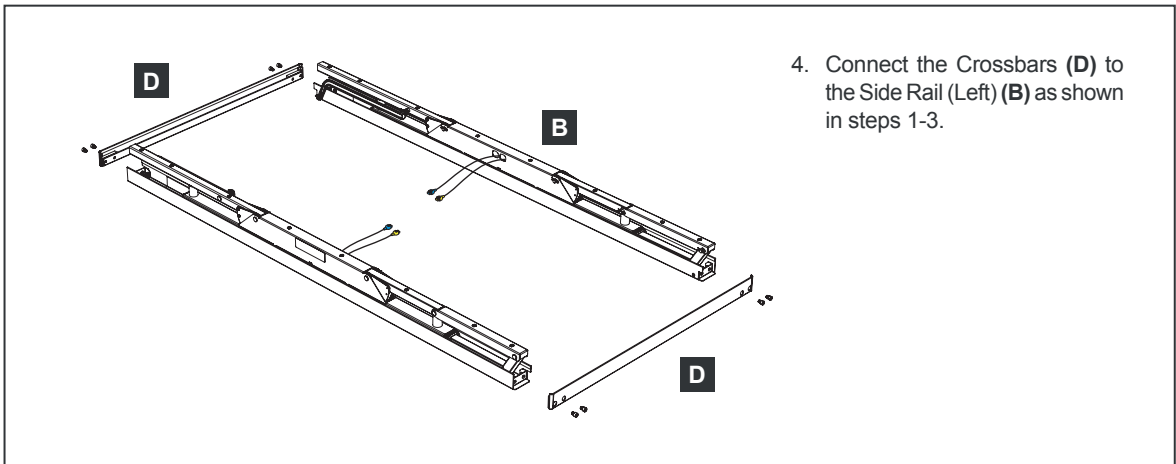


⚠ CAUTION

Risk of minor or moderate injury through crushing

Gripping the Side Rails' moving parts may lead to minor or moderate injury through crushing.

- Do not touch moving parts when lifting or moving the Side Rails. Only grip the fixed parts



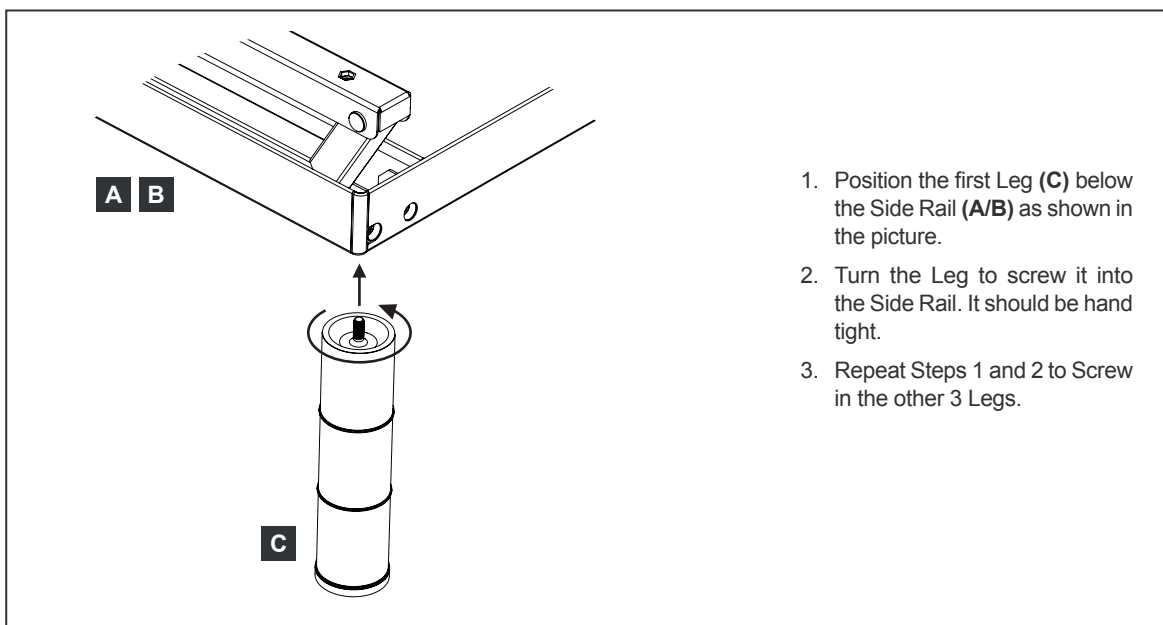
⚠ CAUTION

Risk of minor or moderate injury through crushing

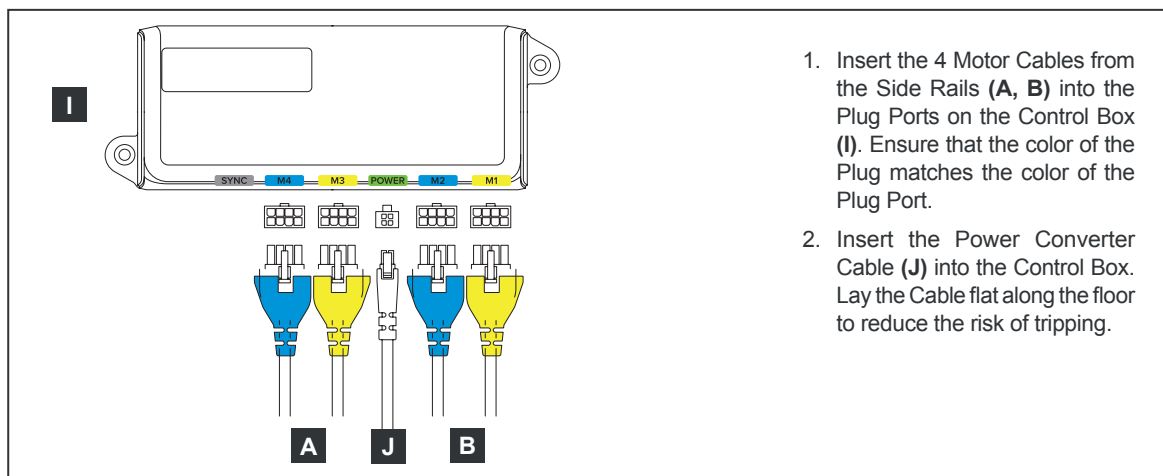
While screwing in the Crossbar Knobs, you will need to lift the moving parts of the Side Rails. Allowing these parts to fall may lead to minor or moderate injury through crushing.

- Ensure moving parts do not fall down during assembly

STEP 3: ATTACHING THE LEGS



STEP 4: CONNECTING THE CABLES



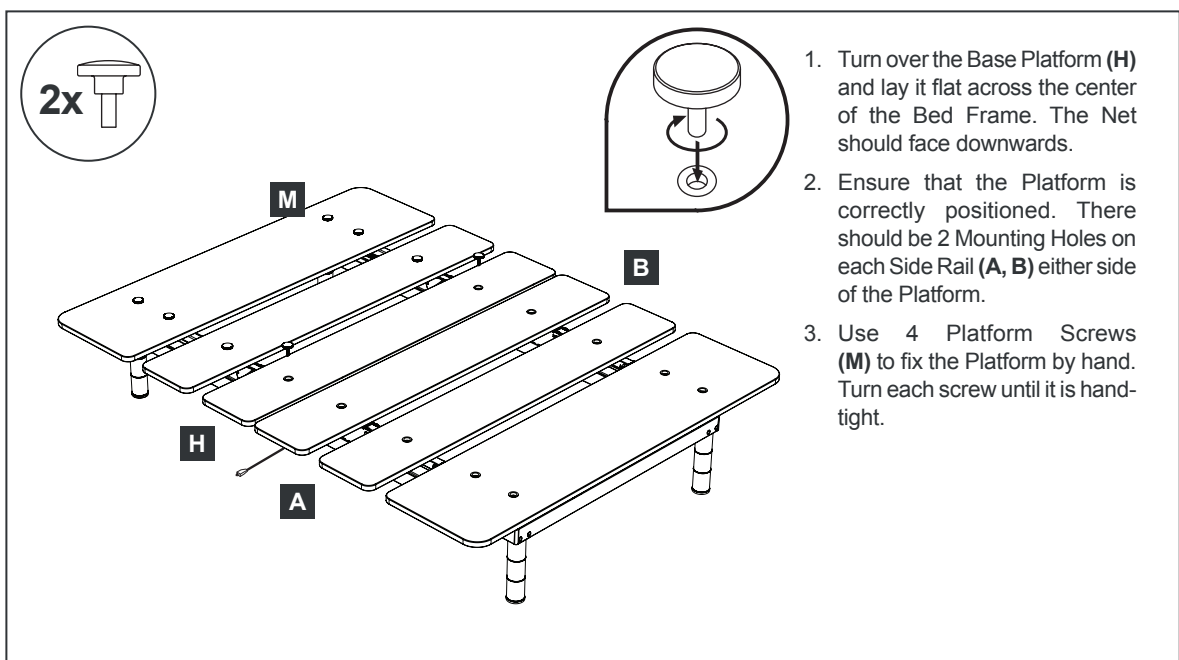
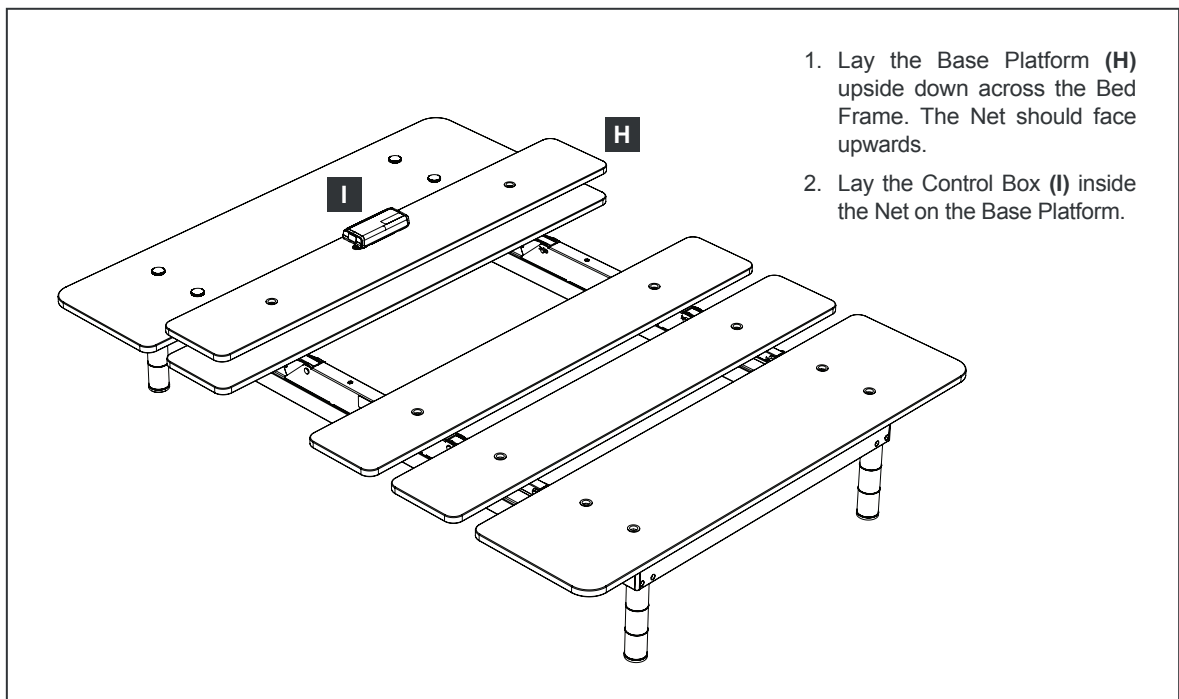
STEP 5: MOUNTING THE BASE PLATFORM

⚠ CAUTION

Risk of minor or moderate injury through tripping

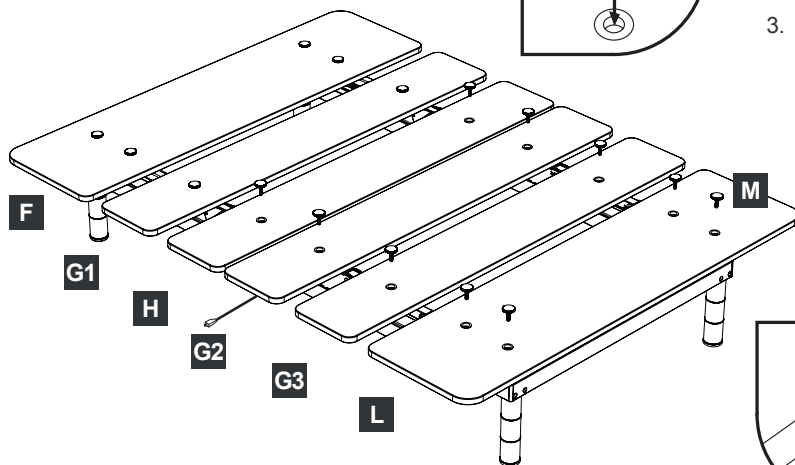
While mounting the Platforms, you may have to step over the Power Cable. Tripping over the Cable may lead to injury.

- Be careful not to trip over the Cable



STEP 6: MOUNTING THE INNER PLATFORMS

USE LABELS ON SIDE RAILS AND PLATFORMS

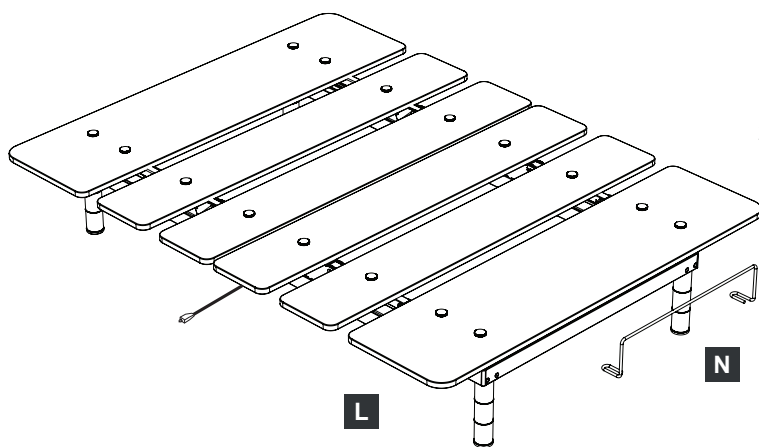


1. Use 6 Platform Screws (**M**) to attach the narrower, Inner Platforms (**G**) to the Side Rails on either side of the Base Platform.
2. Lay the Head and Foot Platforms (**F, L**) in position on the Side Rails.
3. Use the final 8 Platform screws (**M**) to attach the Head and Foot Platforms to the Side Rails (**A, B**).

IMPORTANT:

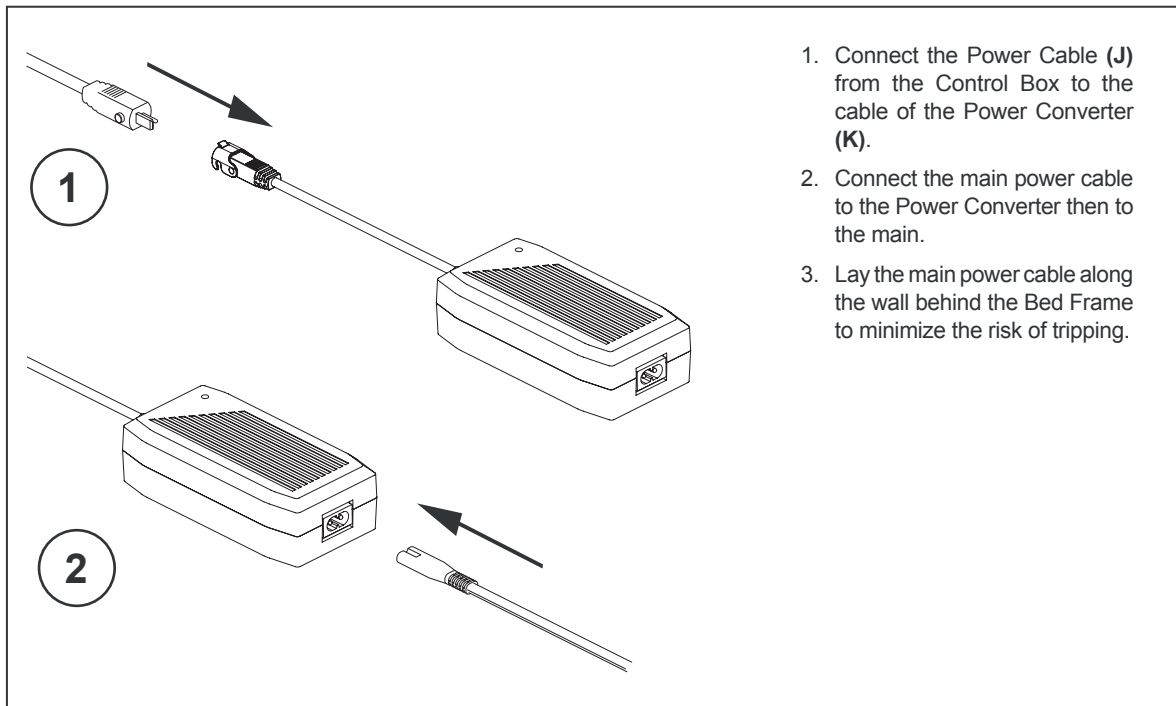
- Use the labels on the Side Rails (**A, B**) to ensure the Platforms are at the right end.
- Ensure the the Platforms are oriented correctly. The curved edges should face outwards and the Brackets for the Retainer Bar should face downwards.

STEP 7: ATTACHING THE RETAINER BAR



1. Move the Retainer Bar (**N**) into position. The two ends of the Bar should be inside the Brackets at the end of the Foot Platform (**L**).
2. Press the Retainer Bar (**N**) firmly towards the Bed Frame to click it into place.

STEP 8: CONNECTING THE POWER CABLE



1. Connect the Power Cable (J) from the Control Box to the cable of the Power Converter (K).
2. Connect the main power cable to the Power Converter then to the main.
3. Lay the main power cable along the wall behind the Bed Frame to minimize the risk of tripping.

NOTICE

Stretching the Power Cable may damage it. This may lead to malfunctions with the Bed Frame.

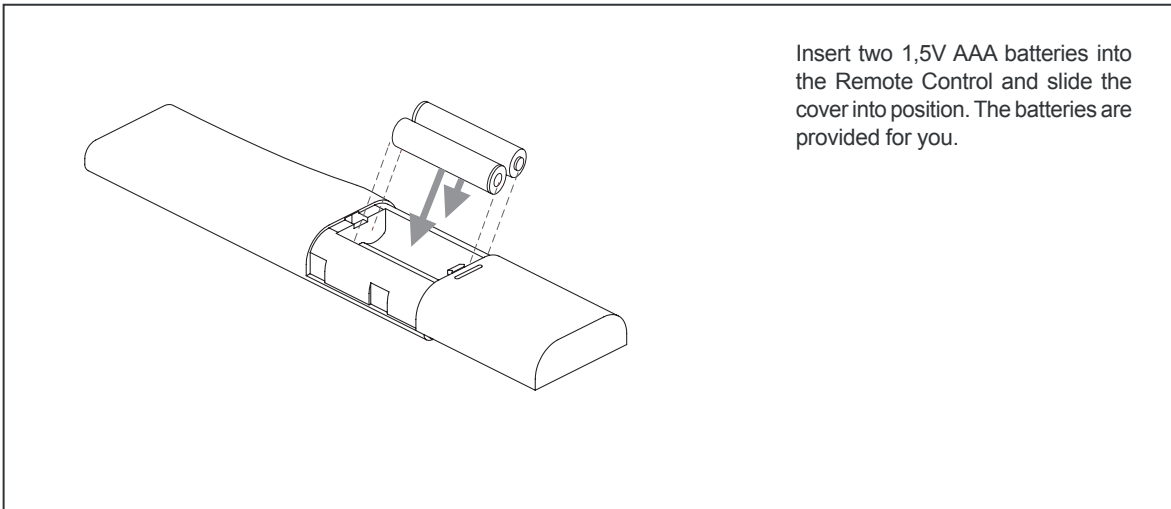
NOTICE

Ensure the Cable is plugged into the mains properly. Bad connections can damage the system.

NOTICE

If the Bed Frame is too close to the wall (or touching it), it may collide during movement. To avoid damage to the Bed Frame and the wall, ensure a small distance is kept.

STEP 9: INSERTING THE BATTERIES



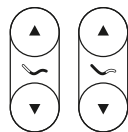
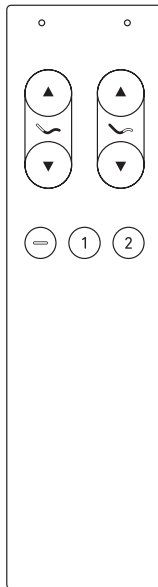
NOTICE

Replace the batteries in the Remote Control once a year. Do not use rechargeable batteries.

5. OPERATION

REMOTE CONTROL

Each Adjustable Bed Frame is supplied with a Remote Control. Your Remote Control allows you to operate the Bed Frame from a distance of 16 feet (5 m). The Remote Control supplied with your product depends on the model you have ordered. Your Remote Control may include the following:



Head UP/DOWN and Foot UP/DOWN Buttons
Move the Head and Foot Platforms up and down.



Sleeping Position Button
Moves the Bed Frame to a flat position.



Memory Position Buttons
Move the Bed Frame to a saved Memory Position.

NOTE: The Remote Control supplied with your product may vary.

NOTICE

Pressing too many Buttons in a short space of time can cause damage to the system.

- Wait one second between pressing different Buttons

CAUTION

Risk of minor or moderate injury to children

Misuse of the Remote Control by children could lead to minor or moderate injury.

- Activate the Child Lock when children are present
- In Sync Mode, ensure the Child Lock feature is activated on both Remote Controls
- Do not allow children to play with the Remote Control

CAUTION

Risk of minor or moderate injury

Multiple Bed Frames may be in range of your Remote Control. Operating the wrong Bed Frame may lead to minor or moderate injury.

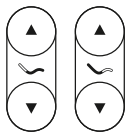
- Ensure the Remote Control is paired to the correct Bed Frame
- Ensure the Remote Control has been safely unpaired before using it on another Bed Frame

PAIRING THE REMOTE CONTROL

You must pair the Bed Frame to a Remote Control before operation. Ensure the Bed Frame has been unplugged for at least 10 seconds, then proceed as follows:

1. Plug the Bed Frame into the mains. This will automatically switch it to Pairing Mode for 30 minutes. In this time, the Bed Frame will search for Remote Controls to be paired with.
2. During Pairing Mode, press and release any Button. This will pair the Remote Control to the Bed Frame.

UNPAIRING THE REMOTE CONTROL



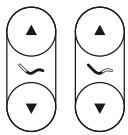
1. Press and hold the Head UP and Foot DOWN Buttons for at least 10 seconds.
2. The Remote Control will flash 3 times.
3. Test the Remote Control to check that it has been safely unpaired.

REFERENCE DRIVE

Before using the Bed Frame for the first time, you must perform a reference drive. When the drive is initiated, the lower section of the bed will move first, followed by the upper section.

1. Press and hold the Head UP/DOWN, Foot UP/DOWN or Sleeping Position Button. The lower part of the Bed Frame will begin the reference drive. It will reach a lower limit and then move up slightly. Do not release the button.
 2. Continuing to hold the button, wait for the upper part of the frame to complete the drive.
 3. Release the button and use the Bed Frame according to the instructions.
- If the drive is interrupted, pressing any movement button restarts downward movement.

MOVING THE BED FRAME UP AND DOWN

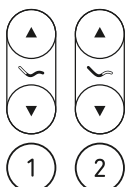


1. Press and hold the UP/DOWN Button for the Platform you wish to adjust
2. Wait until the Bed Frame has reached the desired position
3. Release the UP/DOWN Button

The Bed Frame will move until the Button is released or the highest / lowest position is reached.

SAVING A MEMORY POSITION

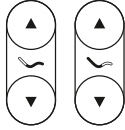
There are two pre-saved Memory Positions: Anti-Snore (Position 1) and Zero Gravity (Position 2). Press the Memory Position Buttons on the Remote Control to move to these positions. You can change saved Memory Positions to new Memory Positions. To do this, proceed as follows:



1. Press and hold the UP/DOWN Button for the Platform you wish to adjust
2. Wait until the Bed Frame has reached the desired position
3. Release the UP/DOWN Button
4. Press and hold the Button for the new Memory Position for at least 3 seconds to save the position. The Control Box will click twice to confirm.
5. Release the Memory Position Button.

FACTORY RESET

A Factory Reset restores the Bed Frame to the same state as before first use. Any memory positions you have stored will be deleted and replaced with the pre-set memory positions. To perform a Factory Reset:



1. Press and hold the Foot DOWN and Head DOWN buttons for 10 seconds.
2. When the reset is complete, the Control Box will click twice.
3. Release the buttons.

To perform a Reference Drive after the Factory Reset, only release one of the DOWN buttons. This will start the Drive automatically.

MOVING THE BED FRAME TO A SAVED MEMORY POSITION

Proceed as follows to move the Bed Frame to a saved Memory Position:



1. Press the Memory Position Button for the Memory Position you wish to move to, then release.
2. Wait for the Bed Frame to move to the saved Memory Position

MOVING THE BED FRAME TO THE SLEEPING POSITION

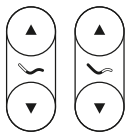
The Sleeping Position is the Bed Frame's lowest position. While in the Sleeping Position, all Platforms are horizontal. Proceed as follows to move the Bed Frame to the Sleeping Position:



1. Press and release the Sleeping Position Button (do not hold the Button)
2. Wait for the Bed Frame to move to the Sleeping Position

ACTIVATING THE CHILD LOCK

Always activate the Child Lock when children are near the Bed Frame. Proceed as follows:



1. Press and hold the Head UP and Foot UP Buttons for at least 6 seconds.
2. The LED will flash 3 times to confirm. Test the Remote Control to check that Child Lock has been activated.

To disable Child Lock, repeat the steps above.

If you remove the batteries from the Remote Control, the Child Lock will be deactivated automatically. If you try to operate the Bed Frame while the Child Lock is activated, the LED will flash 6 times.

PERFORMING A FLAT POSITION RESET

To perform a Flat Position Reset:



1. Press the Sleeping Position Button for at least 10 seconds.
2. The Control Box clicks twice to confirm the input.
3. Perform a Reference Drive with the Sleeping Position Button or any UP/DOWN Button (see section "Reference Drive").

SYNC MODE

IMPORTANT

Sync Mode allows you to control two Bed Frames with one Remote Control. If you only have one Bed Frame continue reading at the next chapter.

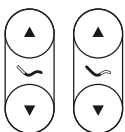
Before configuring Sync Mode, please ensure:

- Both Bed Frames are standing next to each other
- The Bed Frames will not collide with each other when moving
- Each Bed Frame can be controlled using its own Remote Control

To activate Sync Mode:

1. Ensure both Bed Frames have been disconnected from the Power Outlet.
 2. Connect the Control Boxes of the two Frames with the Sync Cable (X). This should be inserted into the port marked "SYNC" on each Control Box.
 3. Ensure the Cable is Routed so that it does not interfere with the movement of the Bed Frames.
 4. Reconnect the Bed Frames to the Power Outlet.
- If the Bed Frames do not move together, disconnect from the Power and repeat the steps.
 - To end Sync Mode, disconnect the Sync Cable.

MOVING THE BED FRAME UP AND DOWN IN SYNC MODE



When Sync Mode is activated, pressing the UP/DOWN Buttons on either of the Remote Controls will move both Bed Frames simultaneously.

FIXING MISALIGNMENT

If two connected Bed Frames have different saved Memory Positions, pressing a Memory Position Button will cause the Bed Frames to move to different positions. This is called Misalignment. In this case, you must move both Bed Frames to their lowest position.



1. Press the Sleeping Position Button on one Remote Control
2. Wait for both Bed Frames to reach their lowest position
3. The Bed Frames are realigned. Continue using the Bed Frame as normal.

6. DISASSEMBLY AND TRANSPORTATION

DISASSEMBLY

To disassemble the Adjustable Bed Frame, you must first disconnect the Bed Frame from the mains. Then, follow the assembly instructions in reverse order. To minimize the risk of pinching when transporting the Side Rails, secure all moving parts with packaging tape.

TRANSPORTATION

After it has been fully assembled, the Bed Frame should only be moved short distances within the same room. Lifting the Bed Frame requires two people. To lift the Bed Frame:

1. Ensure that the Bed Frame has first been moved to the Sleeping Position.
2. Stand at opposite sides of the Bed Frame (long sides) and grip the Base Platform.

CAUTION

Risk of minor or moderate injury through crushing

Tilting the Bed Frame when lifting or moving the Adjustable Bed Frame may lead to minor or moderate injury through crushing.

- Keep the Bed Frame level while lifting or moving it
 - Do not attempt to lift or move the Bed Frame alone
-

NOTICE

Moving the Bed Frame on its side or upside down may lead to damage to the product.

- Only move the Bed Frame while it is in horizontal position (Platforms facing upwards)
 - Disassemble the Bed Frame before moving it to a different location
-

7. CLEANING AND MAINTENANCE

CLEANING

To clean the Adjustable Bed Frame, use a dry or slightly damp lint-free cloth to wipe the Bed Frame.

WARNING

Moderate risk of death or serious injury through electric shocks

Leaving the Bed Frame plugged in while cleaning it may lead to death or serious injury through electric shocks.

- Use only a dry or slightly damp lint-free cloth to clean the Bed Frame
- Do not allow any of the Bed Frame's components to become wet during cleaning
- Always unplug the Bed Frame from the mains before cleaning

NOTICE

Cleaning agents, such as non-alcohol based cleaners, sanitizers, and others can destroy the anodized layer of the Adjustable Bed Frame. Use only a dry or slightly damp lint-free cloth to clean the Bed Frame

MAINTENANCE

The Adjustable Bed Frame does not require maintenance. If the Bed Frame becomes damaged, or if you are experiencing technical difficulties, contact LOGICDATA using the details on page 2.

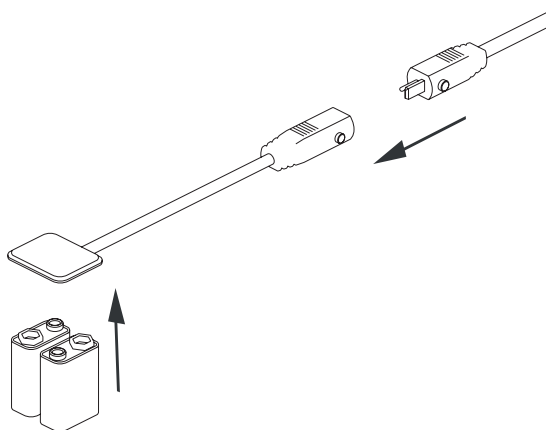
8. TROUBLESHOOTING

BEHAVIOR	POSSIBLE CAUSE / SOLUTION
The bed frame does not respond when buttons on the remote are pressed.	<ol style="list-style-type: none">1. If the green light on power supply is not illuminated, there may be no power:<ul style="list-style-type: none">▪ Check that the wall outlet is working correctly.▪ Check that the power cable (between the wall outlet and power supply) is connected.2. If the green light on power supply is illuminated:<ul style="list-style-type: none">▪ Unplug the power cable from the wall outlet.▪ Wait until the green light has dimmed completely.▪ Remove the batteries from the remote.▪ Plug the power cable back into the wall outlet.▪ Insert batteries back into the remote and follow the instructions in the previous chapters to pair it with the bed frame.3. If the green light on power supply is blinking:<ul style="list-style-type: none">▪ Notify customer service for further instructions.4. If the light on remote does not illuminate when a button is pressed:<ul style="list-style-type: none">▪ The remote may be out of battery. Replace the batteries and try again. If the problem persists, contact customer service.5. If the light on remote stays illuminated when a button is pressed:<ul style="list-style-type: none">▪ Time-out may have been reached due to continuous operation. Do not operate the bed frame for at least 6 minutes. This will reset the time-out.▪ The remote may be paired with another bed frame. Unpair and pair the remote again. Follow the instructions in the previous chapters to do this.6. If the light on the remote flashes 6 times when a button is pressed:<ul style="list-style-type: none">▪ Child lock is enabled. Follow the instructions in the previous chapters to disable it.7. If the light on remote flashes 10 times when a button is pressed:<ul style="list-style-type: none">▪ The remote is not paired. Follow the instructions in the previous chapters to pair the remote
Head or Foot section not moving	<ol style="list-style-type: none">1. Check the cables between control unit and side rails.
Uneven side rails	<ol style="list-style-type: none">1. Check if anything is blocking the movement of the Bed Frame.2. Perform a Flat Position Reset. Follow the instructions in the previous chapters.
No Power on USB port(s)	<ol style="list-style-type: none">1. Check the connected USB cable for insecure connections.

Parts of the Bed Frame remain in an elevated position after a power failure.

If power cannot be restored, an Emergency Lowering is required. Proceed as follows:

1. Unplug the Power Converter from the power outlet.
2. Disconnect the Power Converter from the Cable Leading to the Control Box.
3. Connect the Battery Strap to the Control Box Cable instead.
4. Connect two 9V batteries to the Battery Strap.
5. Use the Head DOWN/UP, Foot DOWN/UP or Sleeping Position Buttons to drive the Bed Frame to its lowest position.



Once Emergency Lowering is complete and power is restored, you can reconnect the Power Converter. Then, perform a Reference Drive (see Chapter 5) and operate the Bed Frame as normal.

NOTICE

When an Emergency Lowering is performed, only the Bed Frame connected to the Battery Strap will be operated. You will need to perform separate Emergency Lowerings for Bed Frames connected by the Sync Cable.

Parts of the Bed Frame do not move evenly.

Make sure no persons or heavy objects are on the Bed Frame or in the range of moving parts.

The Bed Frames may be misaligned. Follow the instructions in the section "Fixing Misalignment" to realign the Bed Frames.

CLICK CODES

As soon as the Bed Frame is connected to the power outlet, the Control Box uses installed relays (clicks) to inform the user about system status and the reason for the last shutdown. Codes are only transmitted during system startup. Potential click codes are as follows:

CODE	DEFINITION
2 X Click	Normal operation. Continue to operate the Bed Frame.
1 X Click	The system is working in emergency operation mode. Contact Customer support.
4-6 X Click	An internal error has occurred. Contact customer support.

9. TECHNICAL DATA

PROPERTY	SPECIFICATION			
Input Voltage	100-240 V			
Rated Input current	2.2 A			
Suitable mattress dimensions	King	Cal. King	Queen	Twin XL
	76 x 80 in	72 x 84 in	60 x 80 in	38 x 80 in
Ambient conditions	Indoor use only			
Maximum load	700 lbs evenly distributed			
Duty cycle	2 min On / 18 min Off			

NOTICE

The permitted maximum load is dependent on input voltage. At the lower end of the input voltage range, maximum load may be reduced. Contact LOGICDATA for further details.

10. FINAL DISPOSAL

Before disposing of the product, check the types of raw materials used in the Bed Frame and make plans to dispose of them accordingly.

This product should not be disposed of with regular household waste. Adhere to the disposal procedures for the raw materials and components used. Recycle as many parts as possible.

Careless or incorrect disposal may cause irreversible environmental harm. Ensure that measures are taken to protect nature, the environment, and the economy.

Dispose of all materials and parts according to local guidelines and regulations. Ensure that the disposal is lastingly compatible for humans and nature.