

DOCUMENT VERSION 2 | OCTOBER 2019

DYNAMIC MOTION **system**

DMG90

Manual





DMG90 - Operating Manual

Document Version 2.0 / October 2019

This document was originally published in English.

LOGICDATA Electronic & Software Entwicklungs GmbH

Wirtschaftspark 18

8530 Deutschlandsberg

Austria

Phone: +43 (0) 3462 51 98 0

Fax: +43 (0) 3462 51 98 1030

Internet: <http://www.logicdata.net>

Email: office.at@logicdata.net



CONTENTS

1	General information	5
1.1	Other applicable documents	5
1.2	Copyright	5
1.3	Royalty-free use of images and text	5
1.4	Trademarks	5
2	Safety	6
2.1	Target audience	6
2.2	General safety regulations and obligations	6
2.3	Intended use	6
2.4	Reasonably foreseeable misuse	6
2.5	Explanation of symbols and signal words	7
2.6	Liability	7
2.7	Residual risks	8
2.8	Skilled Persons	9
2.9	Notes for Resellers	9
3	Scope of delivery	10
4	Unpackaging	10
5	Product	11
5.1	Key Product Features	11
5.2	Actuator Dimensions	12
5.3	Installation Positions	13
5.3.1	Standard Position	13
5.3.2	Alternate Position	13
6	Pre-Assembly	14
6.1	Safety During Assembly	14
6.2	Assembly Variants	15
6.3	Spindle Attachment Point	15
6.4	External Collision Sensor	15
7	Assembly: Screw Attachment	16
7.1	Required Components	16



7.1.1	Adapters and Attachment Points	16
7.2	Attaching the Actuator	17
7.2.1	Process	17
7.3	Completing Assembly	17
8	Assembly: Free Floating	18
8.1	Required Components	18
8.2	Attaching the Actuator	18
8.2.1	Process	19
8.3	Completing Assembly	19
9	Assembly: External Collision Sensor	20
9.1	Required Components	20
9.2	Notes for Assembly	20
9.3	Process	21
9.4	Connecting to the DMG90	21
10	Additional Information	22
10.1	Operation	22
10.2	Software-Dependent Functions	22
10.3	Disassembly	22
10.4	Maintenance	22
10.4.1	Replacing the DMG90	22
10.5	Troubleshooting	22
10.6	Disposal	22



1 GENERAL INFORMATION

Documentation for the DMG90 consists of this Operating Manual and several other documents (Other applicable documents, page 5). Assembly personnel must read all documentation before starting assembly. Keep all documentation for as long as the product is in your possession. Ensure that all documentation is provided to subsequent owners. Go to www.logicdata.net for more information and support. This Manual may change without notice. The most recent version is available on our website.

1.1 OTHER APPLICABLE DOCUMENTS

This Operating Manual is part of the documentation required to safely assemble and operate the DYNAMIC MOTION SYSTEM (DM System). Other applicable documents include:

- DYNAMIC MOTION System Manual
- Datasheet and Operating Manual for the installed User Interface (Handset or other)
- Datasheet for the installed Power Unit
- Datasheets for any accessory products (including external collision sensors)

1.2 COPYRIGHT

© October 2019 by LOGICDATA Electronic und Software Entwicklungs GmbH. All rights reserved, except for those listed in Chapter 1.3 Royalty-free use of images and text on page 5.

1.3 ROYALTY-FREE USE OF IMAGES AND TEXT

After purchase and full payment of the product, all text and images in Chapter 2 "Safety", may be used free of charge by the customer for 10 years after delivery. They should be used to prepare end user documentation for Height-Adjustable Table Systems. The license does not include logos, designs, and page layout elements belonging to LOGICDATA. The Reseller may make any necessary changes to the text and images to adapt them for the purpose of end user documentation. Texts and images may not be sold in their current state, and may not be published or sublicensed digitally. The transfer of this license to third parties without permission from LOGICDATA is excluded. Full ownership and copyright of the text and graphics remain with LOGICDATA. Texts and graphics are offered in their current state without warranty or promise of any kind. Contact LOGICDATA to obtain text or images in an editable format (documentation@logicdata.net).

1.4 TRADEMARKS

Documentation may include the representation of registered trademarks of goods or services, as well as information about copyright or other proprietary expertise of LOGICDATA or third parties. In all cases, all rights remain exclusively with the respective copyright holder. LOGICDATA® is a registered trademark of LOGICDATA Electronic & Software GmbH in the USA, the European Union, and other countries.



2 SAFETY

2.1 TARGET AUDIENCE

This Operating Manual is intended for Skilled Persons only. Refer to [Chapter 2.8 Skilled Persons on page 9](#) to ensure that personnel meet all requirements.

2.2 GENERAL SAFETY REGULATIONS

In general, the following safety regulations and obligations apply when handling the product:

- Do not operate the product unless it is in a clean and perfect condition
- Do not remove, change, bridge, or bypass any protection, safety, or monitoring equipment
- Do not convert or modify any components without written approval from LOGICDATA
- In the event of malfunction or damage, faulty components must be replaced immediately
- Unauthorized repairs are prohibited
- Do not attempt to replace hardware unless the product is in a de-energized state
- Only Skilled Persons are allowed to work on the DMG90
- Ensure that national worker protection conditions and national safety and accident prevention regulations are observed during operation of the system

2.3 INTENDED USE

The DMG90 is a gear motor for electrically Height-Adjustable Tables. It is installed by Resellers in a Height-Adjustable Column for electrically Height-Adjustable Tables. It is controlled by an integrated Control Unit. It is intended for indoor use only. The system may only be installed in compatible Height-Adjustable Tables and with LOGICDATA-approved accessories. Contact LOGICDATA for further details. Use beyond or outside the intended use will void the product's warranty. Please refer to the Operating Manual of each product in the DM System to determine its individual intended use.






2.4 REASONABLY FORESEEABLE MISUSE

Usage outside of the intended use may lead to minor injury, serious injury, or even death. Reasonably foreseeable misuse of the system includes, but does not extend to:

- Using the system as a climbing or lifting aid for people or animals.
- Connecting unauthorized parts (including Spindle Systems) to the product. If you are unsure as to whether a part can be used with the DMG90, contact LOGICDATA for further information.
- Overloading the Table System.

2.5 EXPLANATION OF SYMBOLS AND SIGNAL WORDS

Safety Notices contain both symbols and signal words. The signal word indicates the severity of the hazard.

	DANGER	Indicates a hazardous situation which, if not avoided, will result in death or serious injury.
	WARNING	Indicates a hazardous situation which, if not avoided, could result in death or serious injury.
	CAUTION	Indicates a hazardous situation which, if not avoided, could result in minor or moderate injury.
	NOTICE	Indicates a situation which, if not avoided, could result in damage to the product through electrostatic discharge (ESD).
	NOTICE	Indicates a situation that will not lead to personal injury, but could lead to damage to the device or the environment.
	INFO	Indicates the protection class of the device: Protection Class III. Protection Class III devices may only be connected to SELV or PELV power sources.
	INFO	Indicates important tips for handling the product.

2.6 LIABILITY

LOGICDATA products comply with all currently applicable health and safety regulations. However, risk can result from incorrect operation or misuse. LOGICDATA is not liable for damage or injury caused by:

- Improper product use
- Disregard of the documentation
- Unauthorized product alterations
- Improper work on and with the product
- Operation of damaged products
- Wear parts
- Improperly performed repairs
- Unauthorized changes to the operating parameters
- Disasters, external influence, and force majeure

The information in this Operating Manual describes the characteristics of the product without assurances. Resellers assume responsibility for the LOGICDATA products installed in their applications. They must ensure their product complies with all relevant directives, standards, and laws. LOGICDATA shall not be held liable for any damage that is directly or indirectly caused by the delivery or use of this document. Resellers must observe the relevant safety standards and guidelines for each product in the Table System.



2.7 RESIDUAL RISKS

Residual risks are the risks that remain after all relevant safety standards have been complied with. These have been evaluated in the form of a risk assessment. Residual risks associated with assembly and installation of the DMG90 are listed here and throughout this Operating Manual. The risks associated with the system as a whole are listed in the System Manual. See also [Chapter 1.1 Other Applicable Documents on page 5](#). The symbols and signal words used in this Operating Manual are listed in [Chapter 2.5 Explanation of Symbols and Signal Words on page 7](#).



! WARNING Risk of death or serious injury through electric shocks

The DMG90 is an electrical device. Although you will not have to connect the device to the Power Unit during assembly, basic safety precautions must be taken at all times. Failure to observe electrical safety precautions may lead to death or serious injury through electric shocks.

- Never open the DMG90 or its components
- Ensure that the DMG90 is not connected to the Power Unit during assembly
- Do not convert or modify the DMG90 in any way
- Do not immerse the DMG90 or its components in liquid. Clean only with a dry or slightly damp cloth
- Do not place the Cable of the DMG90 on heated surfaces
- Check the housing and cables of the DMG90 for visible damage. Do not install or operate damaged products.

! WARNING Risk of death or serious injury through electric shocks



The DMG90 is a Protection Class III device. It may only be supplied with safety extra-low voltage (SELV). Supplying the DMG90 with the incorrect voltage may lead to death or serious injury through electric shocks.

- Only supply the DMG90 with safety extra-low voltage (SELV)

! WARNING Risk of death or serious injury in explosive atmospheres

Operating the DMG90 in potentially explosive atmospheres may lead to death or serious injury through explosions.

- Read the relevant directives to determine if an atmosphere is potentially explosive
- Do not operate the DMG90 in potentially explosive atmospheres

! CAUTION Risk of minor or moderate injury through unexpected movement

Attempting to operate the DMG90 before it is properly mounted may cause unexpected operation. This may lead to minor or moderate injury.

- Do not operate the DMG90 until it is properly mounted
- Read the DM System Manual for safety advice during operation



! CAUTION Risk of minor or moderate injury through unexpected movement

Exceeding the static or dynamic load limits of the Table System may cause unexpected operation. This may lead to minor or moderate injury.

- Read the product's Datasheet to determine the relevant load limits
- Do not exceed load limits



2.8 SKILLED PERSONS



CAUTION

Risk of injury through incorrect assembly

Only Skilled Persons have the expertise to complete the assembly process safely. Assembly by Unskilled Persons may lead to minor or moderate injury.

- Ensure that only Skilled Persons are allowed to complete assembly
- Ensure that persons with limited ability to react to danger do not take part in the assembly process

The DMG90 may only be assembled by Skilled Persons. A Skilled Person is defined as someone who:

- Is authorized for installation planning, installation, commissioning, or servicing of the product
- Has read and understood all documentation relevant to the DM System and its component products
- Has the technical education, training, and/or experience to perceive risks and avoid hazards
- Has knowledge of the specialist standards applicable to the product
- Has the expertise to test, assess, and manage electrical and mechatronic products and systems in accordance with the generally accepted standards and guidelines of electrical engineering and furniture manufacturing

2.9 NOTES FOR RESELLERS

Resellers are companies that purchase LOGICDATA products for installation in their own products.

INFO

For reasons of EU conformity and product safety, Resellers should provide end users with an Operating Manual in their native EU official language.

INFO

The Charter of the French Language (**La charte de la langue française**) or Bill 101 (**Loi 101**) guarantees the right of the population of Quebec to conduct business and commercial activities in French. The bill applies to all products sold and used in Quebec.

For table systems that will be sold or used in Quebec, Resellers must provide all product-relevant texts in French. These include, but are not limited to:

- Operating Manuals
- All other product documentation, including datasheets
- Inscriptions on the product (such as labels), including those on product packaging
- Warranty certificates

The French inscription may be accompanied with a translation or translations, but no inscription in another language may be given greater prominence than that in French.

INFO

Operating Manuals must include all the safety instructions that end users require to handle the product safely. They must also include an instruction to always keep the Operating Manual in the immediate vicinity of the product.

INFO

No unauthorized persons (young children, persons under the influence of medications, etc.) should be allowed to handle the product.

INFO

Resellers must perform a risk assessment on their product that covers residual hazards. It must include measures to mitigate risk, or reference the product's Operating Manual.

INFO

Technical Data refer to the DMG90. Resellers must take additional loads (friction, torque loads, deadweight of the table) into account.

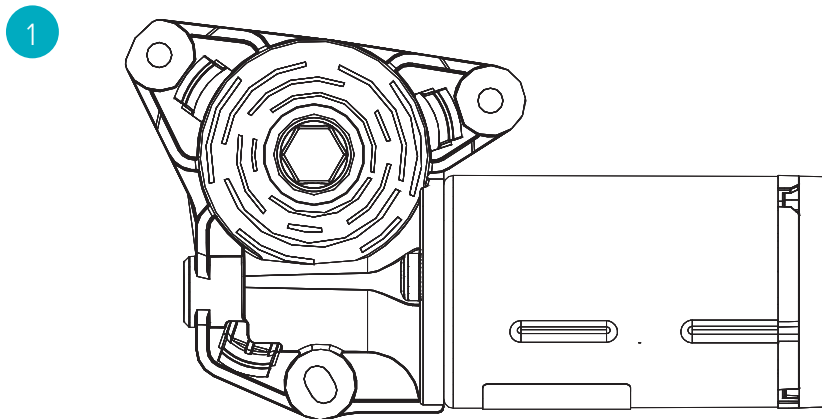


3 SCOPE OF DELIVERY

The standard scope of delivery for the DMG90 consists of the following components:

1	DMG90 Gear Motor
---	------------------

Cables, Mounting Screws and all other parts necessary for assembly must be ordered from LOGICDATA separately or supplied by the reseller (after consultation with LOGICDATA).



4 UNPACKAGING



NOTICE Ensure proper ESD handling during unpackaging. Damage that can be attributed to electrostatic discharge will void warranty claims.

To unpackage the product:

1. Remove all components from the packaging
2. Check the contents of the package for completeness and damage
3. Provide the Operating Manual to the operating personnel
4. Dispose of the packaging material

NOTICE Dispose of the packaging material in an environmentally friendly manner. Remember to separate plastic parts from the cardboard packaging.



5 PRODUCT

5.1 KEY PRODUCT FEATURES

1	Mounting Screw Attachment Points (Assembly Variant: Screw Mounting)
2	Spindle Attachment Point (Hexagon)
3	Motor and Control Unit
4	Plug Port, Sensor Adapter Cable
5	Plug Port, Motor Cable

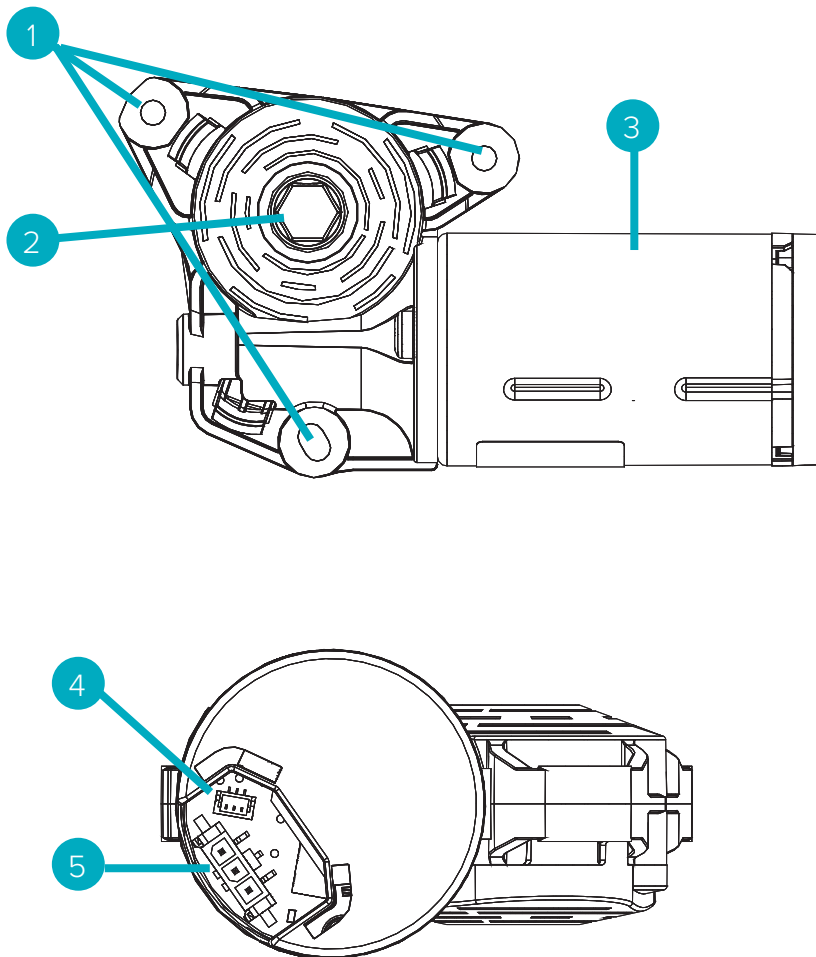


Fig. 1: DMG90. Key Product Features.



5.2 ACTUATOR DIMENSIONS

Fig. 2 shows the dimensions of the DMG90.

Length	119.14 mm
Width	67.80 mm
Diameter (Motor housing)	40 mm
Diameter (Spindle Attachment Point)	(from center of sides) 8.9 mm (+0.07 mm / -0.05 mm)

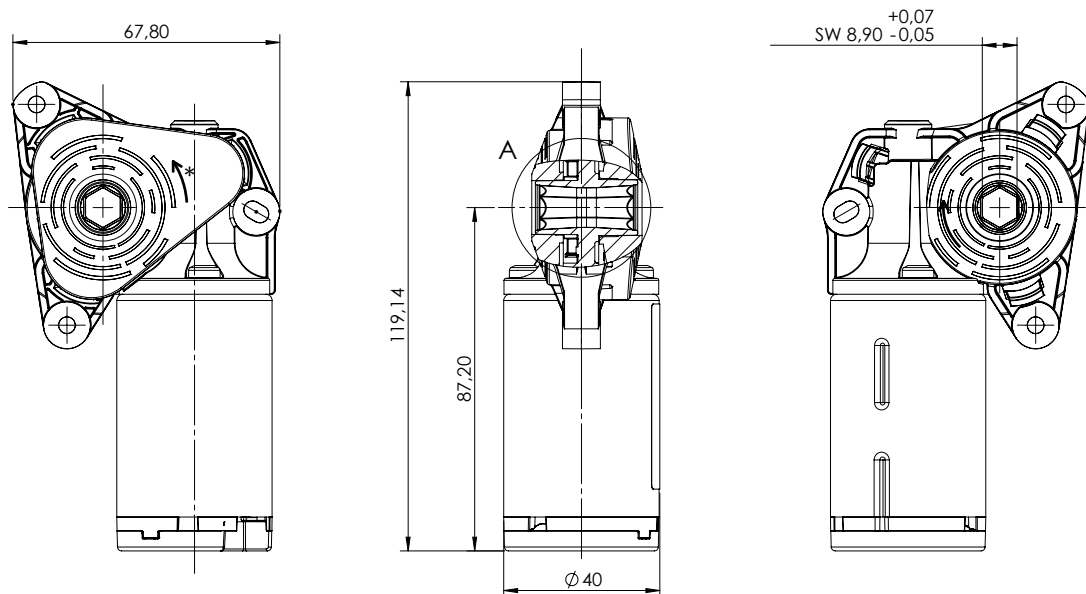


Fig. 2: Actuator Dimensions



5.3 INSTALLATION POSITIONS

-
- NOTICE** Installing the DMG90 incorrectly may cause damage to the product and the Table System.
-
- NOTICE** Changes to the installation position are only allowed with written permission from LOGICDATA.
-
- NOTICE** Spindles must be installed so that, when the motor is turning in the direction shown by the arrow, the table is moving up.
-
- NOTICE** Instructions for the Alternate Position are not provided in this manual. Contact LOGICDATA for installation and safety advice.
-

5.3.1 STANDARD POSITION

To move the table UP



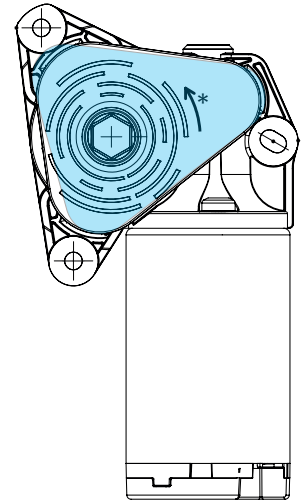
To move the table DOWN



This manual describes standard installation for the DMG90. With this installation, the spindle, when seen from above, **will turn anti-clockwise when the table is moving up.**

When in the Standard Position, the following statements apply:

1. The large cover for the Spindle Attachment Point is facing upwards (marked blue).



5.3.2 ALTERNATE POSITION

To move the table UP



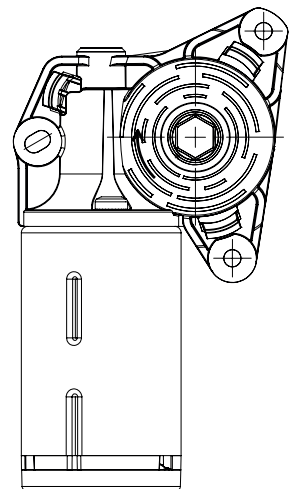
To move the table DOWN



With certain Spindle Settings, the DMG90 can be installed with the large cover facing downwards. With this installation, the spindle, when seen from above, **will turn clockwise when the table is moving up.**

When in the Alternate Position, the following statements apply:

1. The large cover for the Spindle Attachment Point is facing downwards.





6 PRE-ASSEMBLY

Chapters 6, 7, 8, and 9 of this Operating Manual describe the process of installing the DMG90 into the Height-Adjustable Column. You must read the documentation for each part of the system (User Interface, Power Hub, etc.) for that product's mounting instructions, and the System Manual for instructions on connecting the system. The processes shown in Chapters 7 and 8 assume the DMG90 is to be installed in a Height-Adjustable Column in which the Spindle System has already been mounted. Contact LOGICDATA for instructions and safety advice on mounting the Actuator into other types of Height-Adjustable Columns. The process shown in Chapter 9 assumes that an external collision sensor will be installed alongside the DMD90.

6.1 SAFETY DURING ASSEMBLY



-
- ⚠ CAUTION** **Risk of minor or moderate injury through improper handling**
 Improper handling of the product during assembly may lead to minor or moderate injury through cutting, pinching, and crushing.
- Avoid contact with sharp edges
 - Ensure assembly complies with the generally accepted standards and guidelines of electrical engineering and furniture manufacturing
 - Read all instructions and safety advice carefully
-
- ⚠ CAUTION** **Risk of minor or moderate injury through tripping**
 During assembly and operation, poorly routed Cables may become a trip hazard. Tripping over Cables may lead to minor or moderate injury.
- Ensure that Cables are routed properly to avoid trip hazards
 - Be careful not to trip over Cables when assembling the DMG90
-
- ⚠ NOTICE** Ensure proper ESD handling during assembly. Damage that can be attributed to electrostatic discharge will void warranty claims.
-
- NOTICE** To avoid damage to the product, measure the dimensions of the DMG90 before assembly. Use a gauge or other suitable measuring equipment to do this.
-
- NOTICE** Before assembly, all parts must be acclimatised to the ambient conditions.
-
- NOTICE** Non-standard Spindle settings may only be applied with approval from LOGICDATA.
-
- NOTICE** Do not lift the DMG90 by its cable. This will cause irreparable damage to the product.
-
- INFO** Perform a product risk assessment so that you can respond to potential residual hazards. Assembly instructions must be included in your end user Operating Manual.
-



6.2 ASSEMBLY VARIANTS

There are two assembly variants for the DMG90. Resellers are free to choose either assembly variant, depending on the type of Height-Adjustable Column used. Assembly variants are defined as follows:

- **Screw attachment:** The DMG90 is attached to the Column with Mounting Screws.
- **Free floating:** The DMG90 is not screwed onto the Height-Adjustable Column and is held in place using an Actuator Support.

INFO For Assembly and Safety Instructions for the "Screw Attachment" variant go to [Chapter 7](#). For the "Free Floating" variant, go to [Chapter 8](#).

NOTICE In order to function properly, Height-Adjustable Columns must comply with the tolerances specified by LOGICDATA. Failure to comply will void all warranty claims. Information on tolerances is published by LOGICDATA on request.

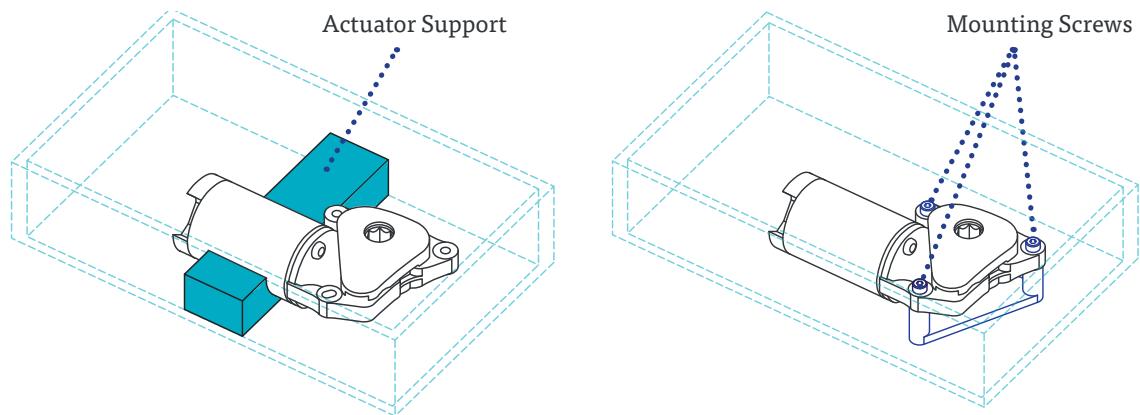


Fig. 3: Assembly Variants "Free Floating" (left) and "Screw Attachment" (right)

6.3 SPINDLE ATTACHMENT POINT

In both assembly variants, you must attach the Spindle System to the hexagonal Spindle Attachment Point. The DMG90 is compatible with most market-standard Spindle Systems. However, you should contact LOGICDATA for exact specifications of the DMG90 and advice on attaching external Spindle Systems. For the purposes of this documentation, an example Spindle System has been used. This is not necessarily representative of the Spindle Systems installed by our customers.

6.4 EXTERNAL COLLISION SENSOR

The DMG90 can be fitted with an external collision sensor (ISP). Instructions for mounting and connecting the sensor can be found in [Chapter 9](#).



7 ASSEMBLY: SCREW ATTACHMENT

This chapter describes mounting the DMG90 using the "Screw Attachment" assembly variant. It is assumed that the Reseller has mounted the Spindle System into the Height-Adjustable Column and that the Spindle is compatible with the DMG90's hexagonal Spindle Attachment point, or that a suitable adapter is used.

7.1 REQUIRED COMPONENTS

1	DMG90 Actuator
2	2-3* Mounting Screws (developed by Reseller: contact LOGICDATA for specifications)
3	Adapter or Attachment Point (developed by Reseller, see Chapter 7.1.1)
Tool	Torque Screwdriver

*Assembly is possible with 2- and 3-screw variants, depending on the Adapter used. Contact LOGICDATA for further details.



NOTICE	<p>Attaching the DMG90 incorrectly could damage it. The following guidelines apply during this stage of the assembly process. Failure to comply will void warranty claims.</p> <ul style="list-style-type: none"> • Do not lift the DMG90 by its cable • Ensure the Spindle System meets LOGICDATA specifications for the DMG90. • Only use Screws approved by LOGICDATA to mount the DMG90 • Use a Torque Screwdriver to ensure the Screws are tightened correctly
---------------	---

7.1.1 ADAPTERS AND ATTACHMENT POINTS



NOTICE	LOGICDATA provides specifications for Adapters and Attachment Points only on request. These include dimensions and tolerances, as well as notes on material selection and assembly.
---------------	---

Depending on the design of the Height-Adjustable Column and Spindle System, an Adapter or Attachment Point may be required to connect the DMG90 to the system. An example is shown below. However, Resellers are solely responsible for ensuring that the DMG90 is compatible with their Table Systems.

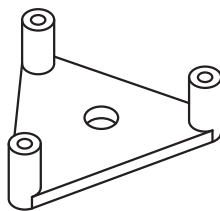


Fig. 4: Example Adapter for the DMG90

7.2 ATTACHING THE ACTUATOR

At this stage of assembly, the DMG90 attached to the Height-Adjustable Column.



NOTICE	Ensure that the DMG90 is placed into the Height-Adjustable Column in the correct position. Go to chapter 5.3 on page 13 for advice on orienting the DMG90 correctly.
---------------	--

NOTICE	LOGICDATA provides specifications for Height-Adjustable Columns and their Spindle Systems only on request. These include dimensions and tolerances, as well as notes on material selection and assembly. Attaching the DMG90 to incompatible Height-Adjustable Columns may cause damage to the product and the Table System as a whole. In this scenario, all warranty claims are void.
---------------	---



7.2.1 PROCESS

1. Ensure the Spindle System has been mounted into the Height-Adjustable Column correctly.
2. Place the hexagonal Spindle Attachment Point onto the Spindle.
3. Insert the Mounting Screws through the Attachment Points and into the Column (or Adapter).
4. Use the Torque Screwdriver to tighten the Mounting Screws

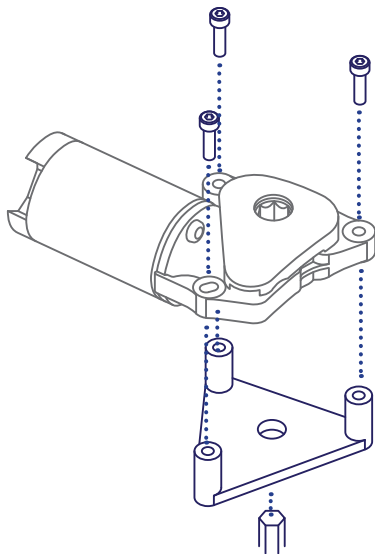


Fig. 5: Mounting the DMG90 (Screw Attachment)

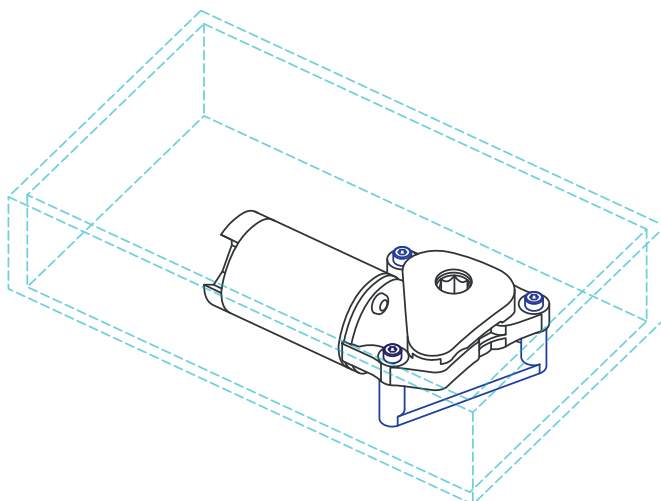


Fig. 6: Example position of the DMG90 in the Column (Screw Attachment)

7.3 COMPLETING ASSEMBLY

After the DMG90 is attached to the Height-Adjustable Column, you must connect the Actuator Cable to the System. Refer to the DYNAMIC MOTION System Manual for instructions on your chosen configuration.



8 ASSEMBLY: FREE FLOATING

This chapter describes mounting the DMG90 using the "Free Floating" assembly variant. It is assumed that the Reseller has already mounted the Spindle System into the Height-Adjustable Column and that the Spindle is compatible with the DMG90's hexagonal Spindle Attachment point.

8.1 REQUIRED COMPONENTS

1	DMG90 Actuator
2	Actuator Support



NOTICE Attaching the DMG90 incorrectly could damage it. The following guidelines apply during this stage of the assembly process. Failure to comply will void warranty claims.

- Do not lift the DMG90 by its cable
- Ensure the Spindle System meets LOGICDATA specifications for the DMG90.

8.2 ATTACHING THE ACTUATOR

At this stage of assembly, the DMG90 attached to the Height-Adjustable Column.



NOTICE LOGICDATA provides specifications for Height-Adjustable Columns and their Spindle Systems only on request. These include dimensions and tolerances, as well as notes on material selection and assembly. Attaching the DMG90 to incompatible Height-Adjustable Columns may cause damage to the product and the Table System as a whole. In this scenario, all warranty claims are void.

NOTICE Ensure that the DMG90 is placed into the Height-Adjustable Column in the correct position. Go to chapter 5.3 on page 13 for advice on orienting the DMG90 correctly.

INFO The Actuator Support Shown in Fig. 7 is a representative image. In customer table systems, it must be designed to fit the Height-Adjustable Column Specifications for the Actuator Support are available from LOGICDATA on request.



8.2.1 PROCESS

1. Ensure the Spindle System has been mounted into the Height-Adjustable Column correctly.
2. Ensure that the Actuator Support has been mounted into the Height-Adjustable column in the correct position.
3. Insert the DMG90 into the Height-Adjustable Column. Ensure that:
 - a) The hexagonal Spindle Attachment Point is securely attached to the Spindle.
 - b) The motor housing is evenly placed into the indent of the Actuator Support (Fig. 8)

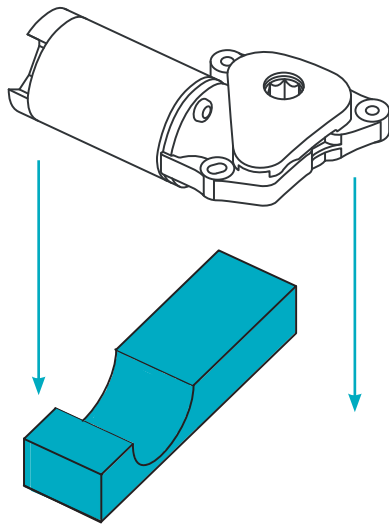


Fig. 7: Example Actuator Support

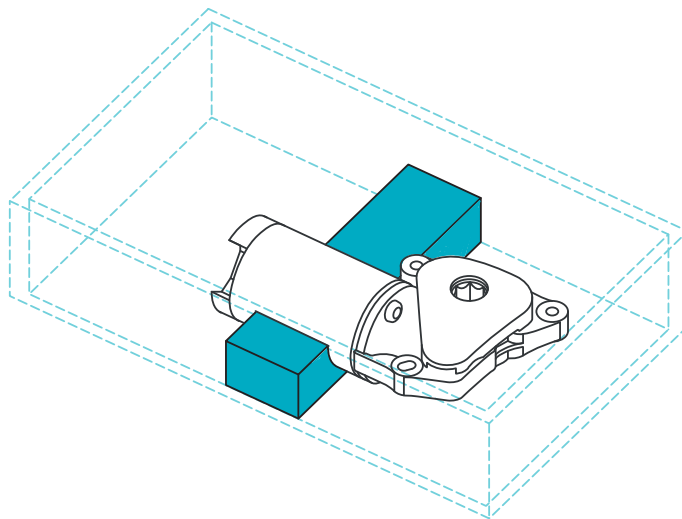


Fig. 8: Example position of the DMG90 in the Column (Free Floating, Actuator Support)

8.3 COMPLETING ASSEMBLY

After the DMG90 is attached to the Height-Adjustable Column, you must connect the Actuator Cable to the System. Refer to the DYNAMIC MOTION System Manual for instructions on your chosen configuration.



9 ASSEMBLY: COLLISION SENSOR

The DMG90 can be connected to an external collision sensor. This enables the activation of the ISP collision detection system. If you do not have an external collision sensor, continue at chapter 10.

9.1 REQUIRED COMPONENTS

1	External Collision Sensor (right) e.g. LOG-PRT-DMS-300 or LOG-PRT-DMS-LD
2	Sensor Adapter Cable
3	2 Mounting Screws (developed by Reseller: contact LOGICDATA for specifications)
Tool	Torque Screwdriver
Tool	Drill or Drilling Machine

9.2 NOTES FOR ASSEMBLY

At this stage of assembly, the collision sensor is attached to the underside of the Table Top and the Crossbar.

NOTICE If the collision sensor is mounted incorrectly, Intelligent System Protection may not work properly. This could lead to damage to the Table System.

- Use both screws to attach the sensor
- Ensure the screws have been tightened properly
- Ensure the screws cannot be released
- Ensure the surface of the Sensor with the yellow dot is placed against the Table Top

NOTICE The RJ10 Connector of the External Collision Sensor may only be connected to compatible LOGICDATA devices. Connecting the External Collision Sensor to other devices or Plug Ports, including external telecommunication ports, may damage the Sensor irreparably. Contact LOGICDATA if you are unsure whether the External Collision Sensor is compatible with your device.

INFO LOGICDATA recommends a tightening torque of 3 Nm for the connection to the Crossbar and 2 - 2.5 Nm for the connection to the table top, depending on material used.

INFO Exact dimensions for your collision sensor can be found in the product's datasheet.

INFO The sensor can be attached to the Crossbar using a bolt with a nut and a washer or a self-tapping screw. Contact LOGICDATA for exact specifications.

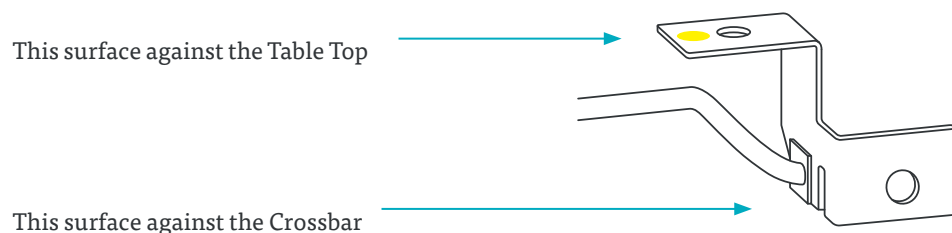


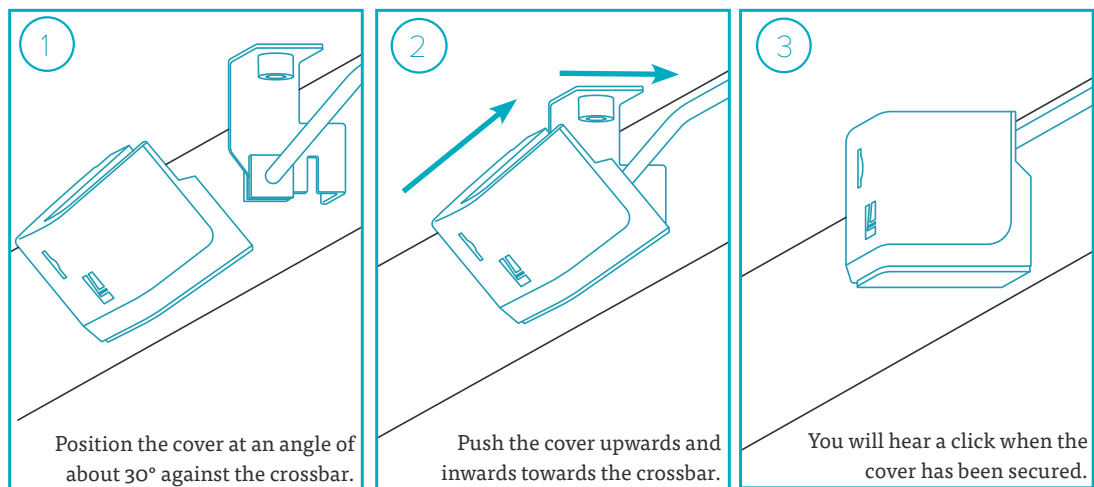
Fig. 9: Location of the Yellow Dot. This must be placed against the Table Top.



9.3 PROCESS

1. Place the surface of the Sensor with the yellow dot against the Table Top, the other against the Crossbar. Use Fig. 9 to help you place the Sensor correctly.
2. Hold the Sensor in the desired position and mark the points for drilling.
3. Pre-drill the holes into the Crossbar and Table Top.
4. Use the Mounting Screws to attach the sensor to the Crossbar and Table Top.

9.3.1 ATTACHING THE DMS COVER



9.4 CONNECTING TO THE DMG90

NOTICE Ensure the Sensor is mounted in a place that the Sensor Adapter Cable can easily reach

NOTICE If the Sensor Adapter Cable is connected incorrectly, Intelligent System Protection may not work properly. This could lead to damage to the Table System.

1. Insert the Male RJ10 connector of the Sensor into the Sensor Port on the Sensor Adapter Cable.
2. Insert the smaller connector of the Sensor Adapter Cable into the Sensor Adapter Port on the DMG90.

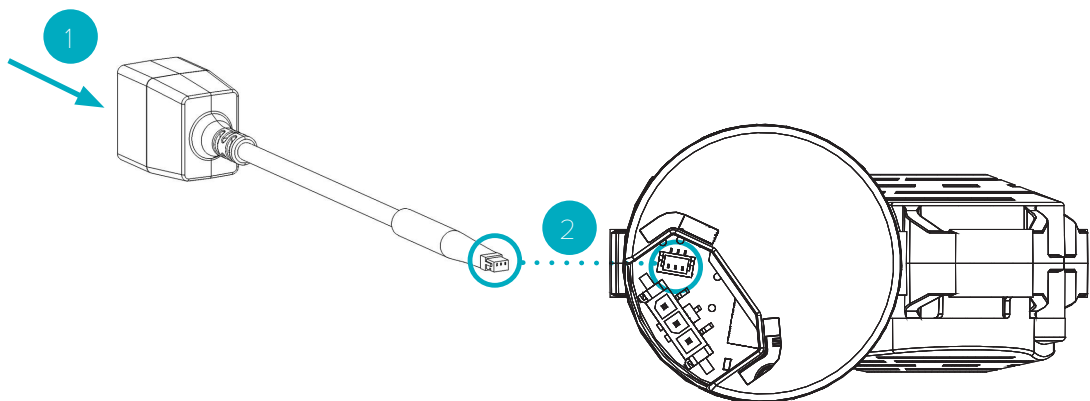


Fig. 10: Attaching the Sensor Adapter Cable to the DMG90



10 ADDITIONAL INFORMATION

10.1 OPERATION

Instructions for operating the system can be found in the DYNAMIC MOTION System Manual.

10.2 SOFTWARE-DEPENDENT FUNCTIONS

A full list of Software-Dependent Functions can be found in the DYNAMIC MOTION System Manual.

10.3 DISASSEMBLY

To disassemble the DMG90, ensure that it has been disconnected from the Power Unit. Then, follow the assembly instructions in reverse order.

10.4 MAINTENANCE

The DMG90 is maintenance-free for its entire service lifetime.



! WARNING Risk of death or serious injury through electric shocks and other hazards

Operating the system using unauthorized spare or accessory parts may lead to death or serious injury through electric shocks and other hazards.

- Only use accessory parts produced or approved by LOGICDATA
- Only use replacement parts produced or approved by LOGICDATA
- Only allow Skilled Persons to perform repairs or install accessory parts
- Contact customer services immediately if the system malfunctions

The use of unauthorized spare or accessory parts may cause system damage. Warranty claims are void in this scenario.

10.4.1 REPLACING THE DMG90

Instructions for replacing the DMG90 can be found in the DYNAMIC MOTION System Manual. Contact LOGICDATA for advice on changing or replacing the installed Spindle System.

10.5 TROUBLESHOOTING

A list of common problems and their solutions can be found in the DYNAMIC MOTION System Manual.

10.6 DISPOSAL



All products in the DM System are subject to the WEEE Directive 2012/19/EU.

- Dispose of all components separately from household waste. Use designated collection points or disposal companies authorized for this purpose



MOTION FOR YOUR LIFE

LOGICDATA
Electronic & Software Entwicklungs GmbH
Wirtschaftspark 18
8530 Deutschlandsberg
Austria

Phone: +43 (0)3462 5198 0
Fax: +43 (0)3462 5198 1030
Email: office.at@logicdata.net
Internet: <http://www.logicdata.net>

LOGICDATA North America, Inc.
Broadmoor Ave SE, Suite D
Grand Rapids MI
USA

Phone: +1 (616) 328 8841
Email: office.na@logicdata.net



www.logicdata.net