



# DMibluetooth

Everything's Connected.

## DESCRIPTION

**Access granted.** The DMibluetooth enables full control over every function in the DYNAMIC MOTION system from your customized mobile app – with plug and play simplicity and easy pairing for end users. The device is delivered with a full set of API functions, meaning your app can be whatever you need... for whoever needs it.

## FEATURES

- Bluetooth® Low Energy(BLE) complies with Bluetooth Core Specification v4.2
- Delivered with full set of API functions for customized development of Mobile Application
- Compatible with DYNAMIC MOTION system (version 2.2.2 or higher) supporting all available functions for wireless desk control and delivering user information to the client
- Safety and stability of the bluetooth connection considered as one of the highest priorities
- Small and compact
- Plugged into DYNAMIC MOTION system DMPhub S/M
- Easy pairing with QR code

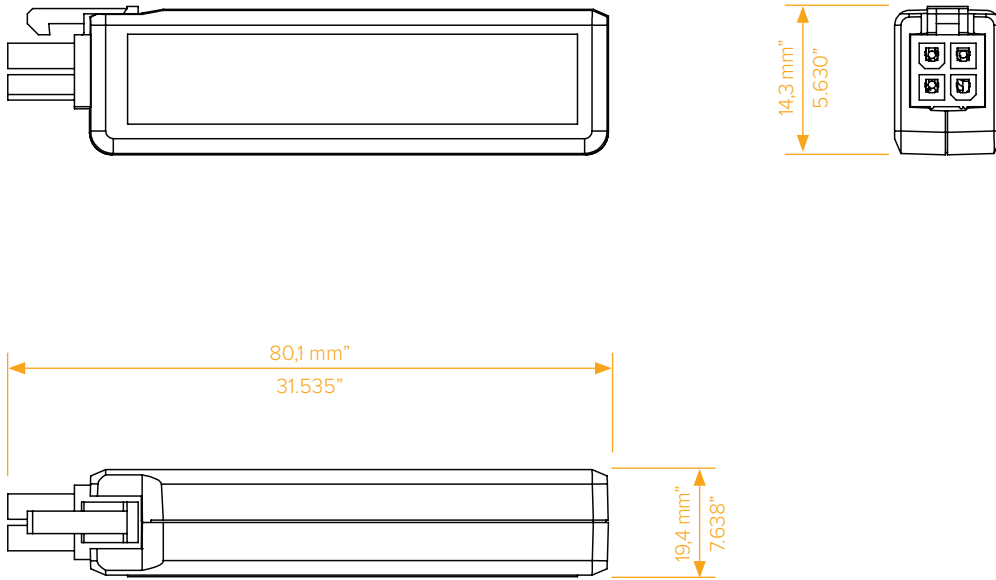
### Contact Headquarters

LOGICDATA Electronic & Software Entwicklungs GmbH  
Wirtschaftspark 18, 8530 Deutschlandsberg, [office.at@logicdata.net](mailto:office.at@logicdata.net)

### North America

LOGICDATA North America Inc., 13617 Woodlawn Hills Dr.,  
Cedar Springs, MI 49319, USA, [office.na@logicdata.net](mailto:office.na@logicdata.net)





## TECHNICAL DATA

<b>Dimensions (l x w x h)</b>	80,1 mm" x 19,4 mm" x 14,3 mm" (31.535" x 7.638" x 5.630")
<b>Ambient conditions during operation</b>	+5 °C to +40 °C Maximum relative humidity between 95% and 68% (lower is allowed). Contact LOGICDATA for detailed information.
<b>Ambient conditions during transport and storage</b>	-35°C to +80°C Temperature over 50°C only for a limited time window not exceeding 72h. Maximum relative humidity between 95% and 5% (lower is allowed). Contact LOGICDATA for detailed information.
<b>Compatibility</b>	DYNAMIC MOTION System
<b>Applicable standards</b>	Directive 2011/65/EU (RoHS)   REACH Regulation 1907/2006/EC   AfPS GS:2019 PAH   Directive 2014/53/EU on Radio Equipment (RED) UL 62368-1, 2nd Ed, 2014-12-01   CSA C22.2 No. 62368-1-14, 2nd Ed.   FCC Title 47 subpart 15 C - intentional radiator
<b>Order code</b>	DMblue-y-z

