



DMiclassic B

More for Less.

DESCRIPTION

Classic. With the revamped DMiclassic B, LOGICDATA empowers customers to access the extensive functionality of the DYNAMIC MOTION system at an ultra-value price point. Our subtle styling adjustments to the time-honored DMiclassic B-Design, enjoyed by millions of users around the world today, ensure that your DYNAMIC MOTION system experience is a symphony of unrivaled ergonomic prowess: delivering smoothness, responsiveness, and simplicity every inch of the way.

FEATURES

- Fully-customizable hand control
- Ergonomic design with outstanding look and feel
- Soft touch
- Responsive up / down function
- LED-Signal for system information
- Compact under-desk mounting

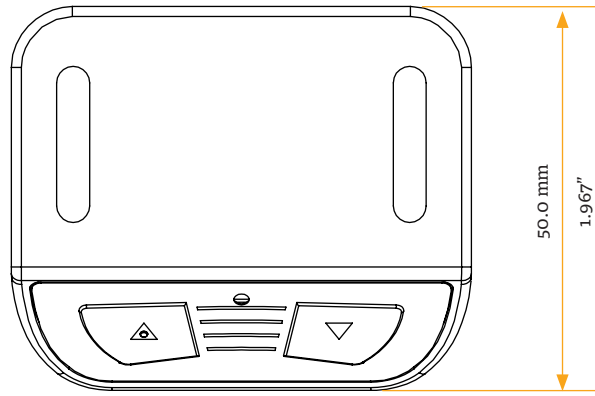
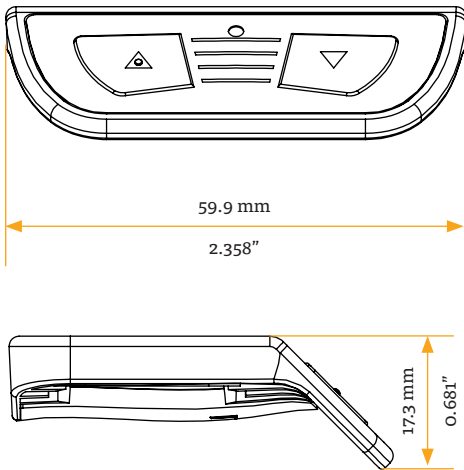
Contact Headquarters

LOGICDATA Electronic & Software Entwicklungs GmbH
Wirtschaftspark 18, 8530 Deutschlandsberg, office.at@logicdata.net

North America

LOGICDATA North America Inc., 13617 Woodlawn Hills Dr.,
Cedar Springs, MI 49319, USA, office.na@logicdata.net





TECHNICAL DATA

Rated supply voltage	28.5 V DC
Current consumption (average)	7 mA
Current consumption (standby)	<0.3 mA
Cable length	1 800 mm / 70.866" (± 50 mm / 1.967")
Dimensions (l x w x h)	50.0 mm x 59.9 mm x 17.3 mm (1.969" x 2.358" x 0.681")
Weight	56.7 g
Ambient conditions during operation	+5 °C to +40 °C at max. 68% relative air humidity (non-condensing), up to an altitude of 2,000 m.
Ambient conditions during transport and storage	-25 °C to +40 °C at max. 68% relative air humidity (non-condensing). +40 °C to +60 °C at max. 32% relative air humidity (non-condensing). Temperatures of more than +40 °C for periods not exceeding 10h. Product must be acclimatised to acceptable operating conditions before assembly. Contact LOGICDATA for exact specifications.
Compatibility	Part of the DYNAMIC MOTION system
Degree of protection (IEC 60529)	IP 20
Standards and regulations	RoHS directive 2011/65/EU
Order code	DMUI-HSM-B-UD-y-z

Reserved, standard is blank
 Customer Code, up to 3 characters, standard is "LD"