



DMiclassic B

More for Less.

DESCRIPTION

Classic. With the revamped DMiclassic B, LOGICDATA empowers customers to access the extensive functionality of the DYNAMIC MOTION system at an ultra-value price point. Our subtle styling adjustments to the time-honored DMiclassic B-Design, enjoyed by millions of users around the world today, ensure that your DYNAMIC MOTION system experience is a symphony of unrivaled ergonomic prowess: delivering smoothness, responsiveness, and simplicity every inch of the way.

FEATURES

- Fully-customizable hand control
- Ergonomic design with outstanding look and feel
- Soft touch
- Responsive up / down function
- LED-Signal for system information
- Compact under-desk mounting

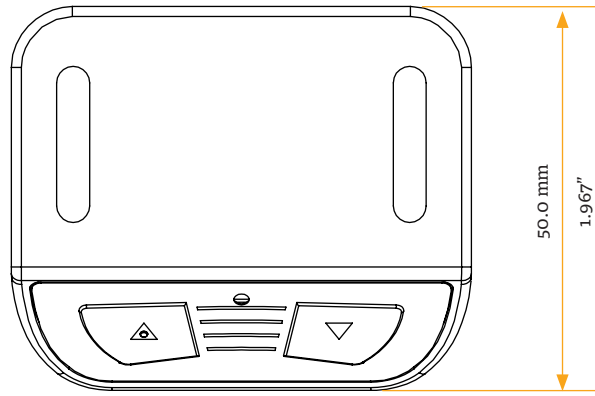
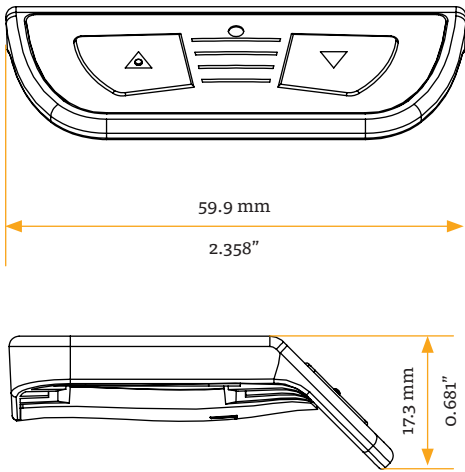
Contact Headquarters

LOGICDATA Electronic & Software Entwicklungs GmbH
Wirtschaftspark 18, 8530 Deutschlandsberg, office@logicdata.net

North America

LOGICDATA North America Inc., 13617 Woodlawn Hills Dr.,
Cedar Springs, MI 49319, USA, support.na@logicdata.net





TECHNICAL DATA

| | |
|--|--|
| Rated supply voltage | 28.5 V DC |
| Current consumption (average) | 7 mA |
| Current consumption (standby) | <0.3 mA |
| Cable length | 1 800 mm / 70.866" (± 50 mm / 1.967") |
| Dimensions (l x w x h) | 50.0 mm x 59.9 mm x 17.3 mm (1.969" x 2.358" x 0.681") |
| Weight | 56.7 g |
| Ambient conditions during operation | +5 °C to +40 °C at max. 68% relative air humidity (non-condensing), up to an altitude of 2,000 m. |
| Ambient conditions during transport and storage | -25 °C to +40 °C at max. 68% relative air humidity (non-condensing). +40 °C to +60 °C at max. 32% relative air humidity (non-condensing). Temperatures of more than +40 °C for periods not exceeding 10h. Product must be acclimatised to acceptable operating conditions before assembly. Contact LOGICDATA for exact specifications. |
| Compatibility | Part of the DYNAMIC MOTION system |
| Degree of protection (IEC 60529) | IP 20 |
| Standards and regulations | RoHS directive 2011/65/EU Prepared for IEC60335-2-116 |
| Order code | DMUI-HSM-B-UD-y-z |

Reserved, standard is blank
 Customer Code, up to 3 characters, standard is "LD"