



# DMiclassic R

Up. Down. Round.

## DESCRIPTION

**Well rounded.** Featuring a sleek inlay design and compatibility with LOGICDATA's powerful DYNAMIC MOTION system, the DMiclassic R adds class to any adjustable system. That's not all: ergonomic buttons, and a 3-digit height display make this the beautiful, practical way to get your table to the top.

## FEATURES

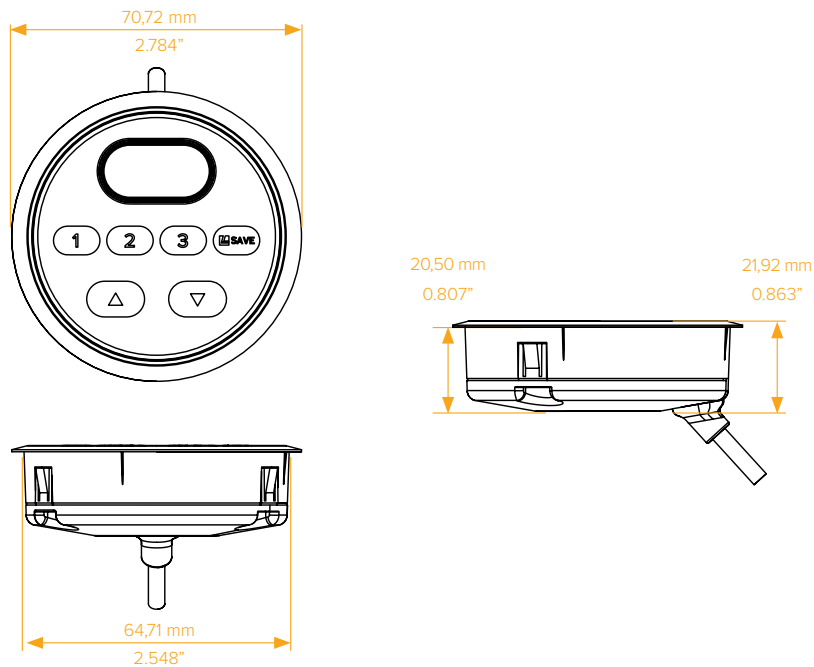
- Modern Look & Feel
- Responsive Up/ Down Function
- Customizable Hand Switch
- Modern Look & Feel
- Soft Touch Buttons
- LED Height and System Information Display
- Lay-flat Mounting onto the table top

### Contact Headquarters

LOGICDATA Electronic & Software Entwicklungs GmbH  
Wirtschaftspark 18, 8530 Deutschlandsberg, [office@logicdata.net](mailto:office@logicdata.net)

### North America

LOGICDATA North America Inc., 13617 Woodlawn Hills Dr.,  
Cedar Springs, MI 49319, USA, [support.na@logicdata.net](mailto:support.na@logicdata.net)



## TECHNICAL DATA

<b>Rated Supply voltage</b>	28,5 V DC $\pm$ 5%
<b>Current Consumption (average)</b>	15 mA
<b>Current Consumption (standby)</b>	<0.5 mA
<b>Cable Length</b>	1 800 mm / 70.866" ( $\pm$ 40 mm / 1.575")
<b>Dimensions</b>	Diameter outside: 70,72 mm / 2.78" Diameter inside: 64,71 mm / 2.55" Height: 21,92 mm / 0.86"
<b>Weight</b>	40 g / 0.088 lbs (without cable)
<b>Ambient conditions during operation</b>	+5 °C to +40 °C at max. 68% relative air humidity (non-condensing), up to an altitude of 2 000 m
<b>Ambient conditions during transport and storage</b>	-25 °C to +40 °C at max. 68% relative air humidity (non-condensing). +40 °C to 60 °C at max. 32% relative air humidity (non-condensing). Temperatures of more than 40 °C for periods not exceeding 10h. Product must be acclimatised to acceptable operating conditions before assembly. Contact LOGICDATA for exact specifications.
<b>Compatibility</b>	Part of the DYNAMIC MOTION system
<b>Degree of Protection (IEC 60529)</b>	IP 20
<b>Standards and Regulations</b>	RoHS - Directive 2011/65/EU; REACH Regulation 1907/2006/EC; PAH - AfPS GS 2019:01; CP65 - California Proposition 65; UL 62368-1; Prepared for IEC60335-2-116
<b>Order code</b>	DMIconic-R-y-z

Customer Code, up to 3 characters, standard is "LD" ..... Reserved, standard is blank