



DMIpaddle B

Just the Lift You Need.

DESCRIPTION

Freedom. The DMIpaddle B enables precise, ergonomic control for adjustable systems powered by LOGICDATA's DYNAMIC MOTION technology. With discreet under-desk mounting, intuitive lift-and-push adjustment, and a multifunctional button for easy system configuration, it's the simple, beautiful way to bring motion to your workplace.

FEATURES

- Stunning ergonomic design
- Intuitive up / down motion control
- LED indicator for system information
- Under-desk mounting
- Multi-functional button

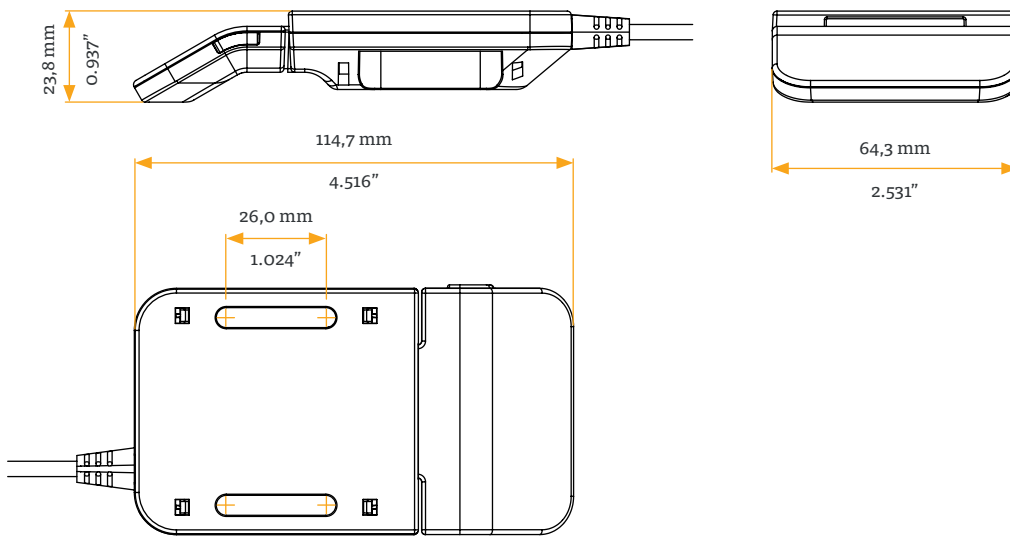
Contact Headquarters

LOGICDATA Electronic & Software Entwicklungs GmbH
Wirtschaftspark 18, 8530 Deutschlandsberg, office@logicdata.net

North America


LOGICDATA North America Inc., 13617 Woodlawn Hills Dr.,
Cedar Springs, MI 49319, USA, support.na@logicdata.net





TECHNICAL DATA

Rated Supply voltage	28,5 V DC \pm 5%
Current Consumption (average)	50 mA
Current Consumption (standby)	<2 mA
Cable length	1 800 mm / 70.866" (\pm 50 mm / 1.967")
Dimensions (l x w x h)	114,7 mm x 64,3 mm x 23,8 mm / 4.516" x 2.531" x 0.937"
Weight	59,5 g / 0.131 lbs (without cable)
Ambient conditions during operation	+5 °C to +40 °C at max. 68% relative air humidity (non-condensing), up to an altitude of 2 000 m
Ambient conditions during transport and storage	-25 °C to +40 °C at max. 68% relative air humidity (non-condensing). +40 °C to 60 °C at max. 32% relative air humidity (non-condensing). Temperatures of more than 40 °C for periods not exceeding 10h. Product must be acclimatised to acceptable operating conditions before assembly. Contact LOGICDATA for exact specifications.
Compatibility	Part of the DYNAMIC MOTION system
Degree of protection (IEC 60529)	IP 20
Standards and regulations	RoHS - Directive 2011/65/EU; PAH - AfPS GS 2019:01; CP65 - California Proposition 65; UL 62368-1 Prepared for IEC60335-2-116
Order code	DMIPaddle-B-y-z


 Reserved, standard is blank
 Customer Code, up to 3 characters,
 standard is "LD"