



DMIpaddle C

Make Your Move.

DESCRIPTION

Limitless. The DMIpaddle C adds ultimate comfort to lift-and-push paddle adjustment for LOGICDATA's DYNAMIC MOTION system. With an in-built OLED display for system information – and the opportunity to store sit and stand positions – it has never been easier to lift the paddle and raise the standard for your adjustable system.

FEATURES

- Stunning ergonomic design
- Intuitive up / down motion control
- OLED display for system information
- Under-desk mounting
- Sit and stand memory positions
- Multi-functional button

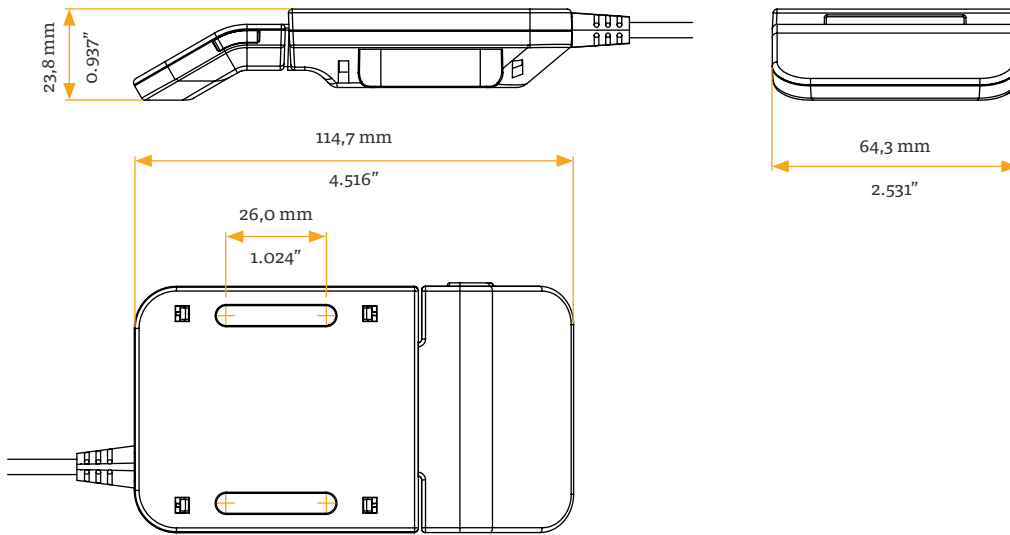
Contact Headquarters

LOGICDATA Electronic & Software Entwicklungs GmbH
Wirtschaftspark 18, 8530 Deutschlandsberg, office@logicdata.net

North America


LOGICDATA North America Inc., 13617 Woodlawn Hills Dr.,
Cedar Springs, MI 49319, USA, support.na@logicdata.net





TECHNICAL DATA

Rated Supply voltage	28,5 V DC \pm 5%
Current Consumption (average)	50 mA
Current Consumption (standby)	<2 mA
Cable length	1 800 mm / 70.866" (\pm 50 mm / 1.967")
Dimensions (l x w x h)	114,7 mm x 64,3 mm x 23,8 mm / 4.516" x 2.531" x 0.937"
Weight	62 g / 0.136 lbs (without cable)
Ambient conditions during operation	+5 °C to +40 °C at max. 68% relative air humidity (non-condensing), up to an altitude of 2 000 m
Ambient conditions during transport and storage	-25 °C to +40 °C at max. 68% relative air humidity (non-condensing). +40 °C to 60 °C at max. 32% relative air humidity (non-condensing). Temperatures of more than 40 °C for periods not exceeding 10h. Product must be acclimatised to acceptable operating conditions before assembly. Contact LOGICDATA for exact specifications.
Compatibility	Part of the DYNAMIC MOTION system
Degree of protection (IEC 60529)	IP 20
Standards and regulations	RoHS - Directive 2011/65/EU; PAH - AfPS GS 2019:01; CP65 - California Proposition 65; UL 62368-1 Prepared for IEC60335-2-116
Order code	DMIPaddle-C-y-z


 Reserved, standard is blank
 Customer Code, up to 3 characters,
 standard is "LD"