



DYNAMIC MOTION **system**

DMUI-

**touch-B-UD-LD**

**Simplicity made spectacular.**

## DESCRIPTION

Prodigious. Compact, ergonomic and intuitive, the DMUI-touch-B-UD-LD empowers users to exercise total control over a vast range of functionality in the DYNAMIC MOTION system by LOGICDATA. Fully customizable to the unique style of every customer, this ultra-responsive Hand Control can also accurately convey system information via its inbuilt LED signalling system.

A spectacularly simple assembly concept allows the Hand Control to be fitted discretely and conveniently underneath the table top. By flawlessly combining aesthetics and practicality, LOGICDATA has yet again delivered a design revelation.

## FEATURES

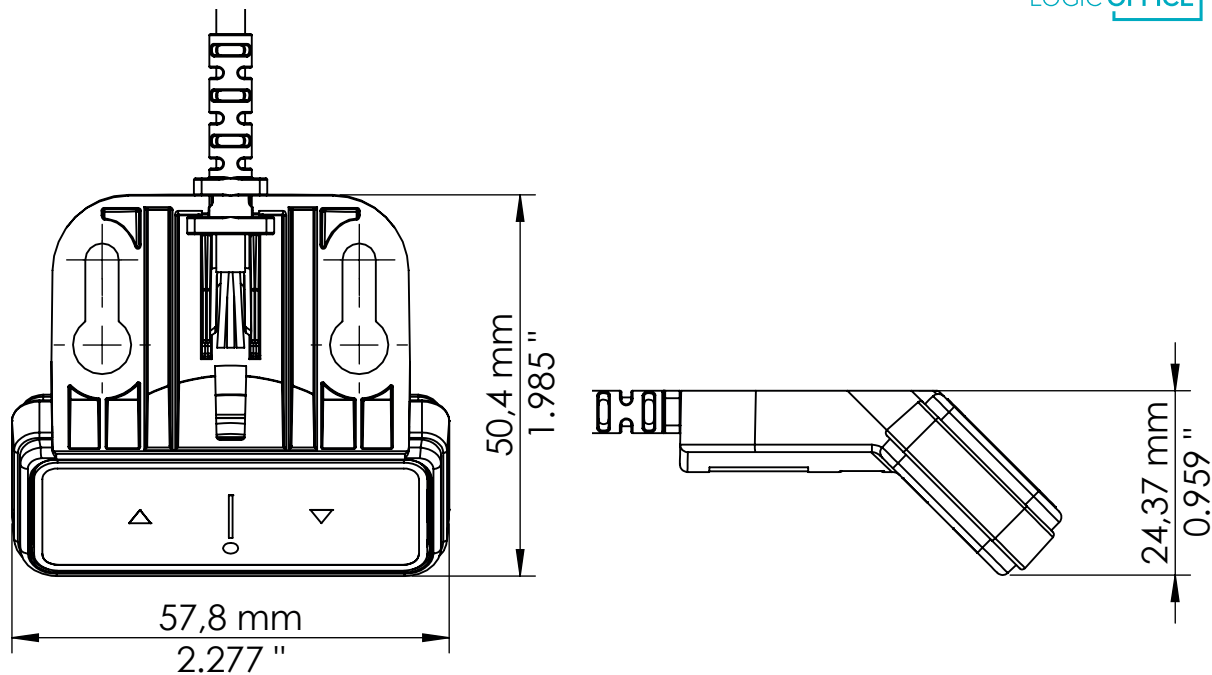
- Fully customizable Hand Control
- Ergonomic design with outstanding look and feel
- Responsive Up / Down function
- LED-Signal for system information
- Compact under-desk mounting

### Contact Headquarters

LOGICDATA Electronic & Software Entwicklungs GmbH  
Wirtschaftspark 18, 8530 Deutschlandsberg, [office.at@logicdata.net](mailto:office.at@logicdata.net)

### North America

LOGICDATA North America Inc., 5300 Broadmoor Ave SE,  
Suite D, Grand Rapids, MI 49512, USA, [office.na@logicdata.net](mailto:office.na@logicdata.net)



## TECHNICAL DATA

<b>Rated Supply voltage</b>	28.5 V DC
<b>Current Consumption (average)</b>	7 mA
<b>Current Consumption (standby)</b>	<0.3 mA
<b>Cable length</b>	1 800 mm / 70.866 " (± 50 mm / 1.967 ")
<b>Dimensions (l x w x h )</b>	50.4 x 57.8 x 24.37 mm / 1.985 " x 2.277 " x 0.959 "
<b>Weight</b>	60.4 g
<b>Ambient conditions during operation</b>	+5 °C to +40 °C at max. 68% relative air humidity (non-condensing), up to an altitude of 2,000 m.
<b>Ambient conditions during transport and storage</b>	-25 °C to +40 °C at max. 68% relative air humidity (non-condensing). +40 °C to +60 °C at max. 32% relative air humidity (non-condensing). Temperatures of more than +40 °C for periods not exceeding 10h. Product must be acclimatised to acceptable operating conditions before assembly. Contact LOGICDATA for exact specifications.
<b>Compatibility</b>	Part of the DYNAMIC MOTION system
<b>Degree of protection (IEC 60529)</b>	IP 20
<b>Standards and regulations</b>	EMC directive 2014/30/EU RoHS directive 2011/65/EU Dodd Frank Act Section 1502
<b>Order Code</b>	<b>DMUI-TOUCH-B-UD-y-z</b>

Reserved, standard is blank  
 Customer Code, up to 3 characters, standard is "LD"