



DMItouch C

Take back control.

DESCRIPTION

Formidable. With its sleek, streamlined profile and easy-to-use button pad delivering an unrivalled ergonomic experience, the DMItouch C empowers users to exercise total control over the vast range of functionality in the DYNAMIC MOTION System.

FEATURES

- Fully-customizable Hand Switch
- 4 Memory Positions
- Ergonomic design with outstanding Look & Feel
- 3-Digit Display in inches or cm
- Responsive UP/DOWN function
- Compact under-desk mounting
- Prepared for IEC 60335-2-116

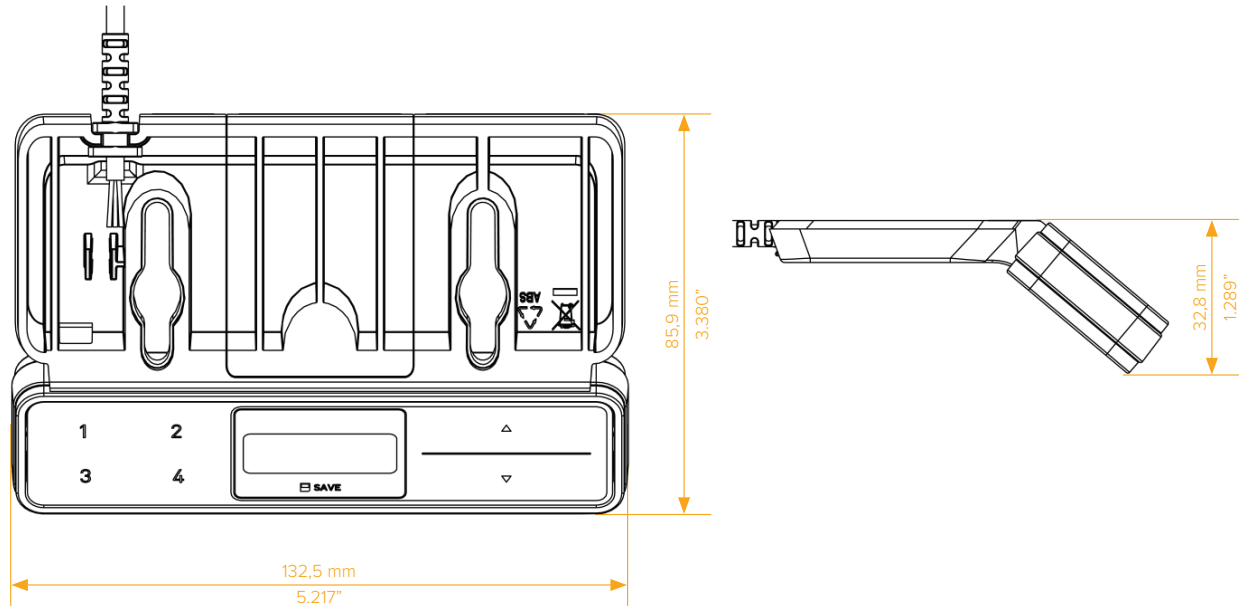
Contact Headquarters

LOGICDATA Electronic & Software Entwicklungs GmbH
Wirtschaftspark 18, 8530 Deutschlandsberg, office@logicdata.net

North America

LOGICDATA North America Inc., 13617 Woodlawn Hills Dr.,
Cedar Springs, MI 49319, USA, support.na@logicdata.net





TECHNICAL DATA

Supply Voltage	28.5 V DC
Current Consumption (Average Active)	12 mA
Current Consumption (Standby)	<0.15 mA
Cable Length	1 800 mm 70.866" (± 50 mm 1.967")
Dimensions (l × w × h)	132,5 × 85,9 × 32,8 mm 5.217" × 3.380" × 1.289"
Weight	114.2 g
Ambient Conditions During Operation	+5 °C to +40 °C at max. 68% relative air humidity (non-condensing), up to an altitude of 2 000 m.
Ambient Conditions During Transport and Storage	-25 °C to +40 °C at max. 68% relative air humidity (non-condensing). +40 °C to +60 °C at max. 32% relative air humidity (non-condensing). Temperatures of more than 40 °C for periods not exceeding 10h. Product must be acclimatized to acceptable operating conditions before assembly. Contact LOGICDATA for exact specifications.
Compatibility	Part of the DYNAMIC MOTION System
Degree of Protection (IEC 60529)	IP 20
Standards and Regulations	EMC directive 2014/30/EU RoHS directive 2011/65/EU Prepared for IEC60335-2-116
Order Code	DMUI-TOUCH-C-FX-KM-y-z

———— Reserved, standard is blank
 ———— Customer Code, up to 3 characters, standard is "LD"