



# DMItouch I

On the level.

## DESCRIPTION

**Discreet.** The DMItouch I gets your table exactly where you want it. A crystal-clear, lay-flat display panel and two Memory Positions mean full control is always at your fingertips.

## FEATURES

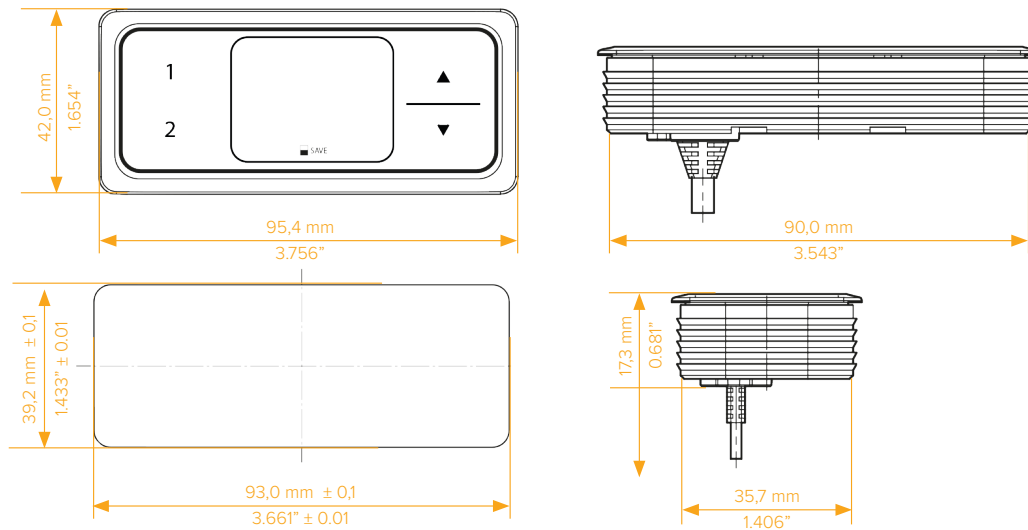
- Fully-customizable Hand Switch
- 2 Memory Positions
- Screwless fixing with rubber ribs
- Lay-flat mounting into the Table Top
- Prepared for IEC 60335-2-116

### Contact Headquarters

LOGICDATA Electronic & Software Entwicklungs GmbH  
Wirtschaftspark 18, 8530 Deutschlandsberg, [office@logicdata.net](mailto:office@logicdata.net)

### North America

LOGICDATA North America Inc., 13617 Woodlawn Hills Dr.,  
Cedar Springs, MI 49319, USA, [support.na@logicdata.net](mailto:support.na@logicdata.net)



## TECHNICAL DATA

<b>Supply Voltage</b>	28.5 V DC
<b>Current Consumption (Average Active)</b>	12 mA
<b>Current Consumption (Standby)</b>	<0.15 mA
<b>Cable Length</b>	1 800 mm   70.866" (± 50 mm   1.967")
<b>Dimensions (l × w × h)</b>	42,0 × 95,4 × 17,3 mm   1.654" × 3.756" × 0.681"
<b>Dimensions (Milled Cut-Out)</b>	39,2 × 93,0 mm   1.433" × 3.661" (± 0,1 mm / 0.01")
<b>Ambient Conditions During Operation</b>	+5 °C to +40 °C at max. 68% relative air humidity (non-condensing), up to an altitude of 2 000 m.
<b>Ambient Conditions During Transport and Storage</b>	-25 °C to +40 °C at max. 68% relative air humidity (non-condensing). +40 °C to +60 °C at max. 32% relative air humidity (non-condensing). Temperatures of more than 40 °C for periods not exceeding 10h. Product must be acclimatised to acceptable operating conditions before assembly. Contact LOGICDATA for exact specifications.
<b>Compatibility</b>	Part of the DYNAMIC MOTION System
<b>Degree of Protection (IEC 60529)</b>	IP 20
<b>Standards and Regulations</b>	EMC directive 2014/30/EU RoHS directive 2011/65/EU
<b>Order Code</b>	DMUI-TOUCH-C-IL-KM-y-z

Reserved, standard is blank  
 Customer Code, up to 3 characters, standard is "LD"