



DMItouch I

On the level.

DESCRIPTION

Discreet. The DMItouch I gets your table exactly where you want it. A crystal-clear, lay-flat display panel and two Memory Positions mean full control is always at your fingertips.

FEATURES

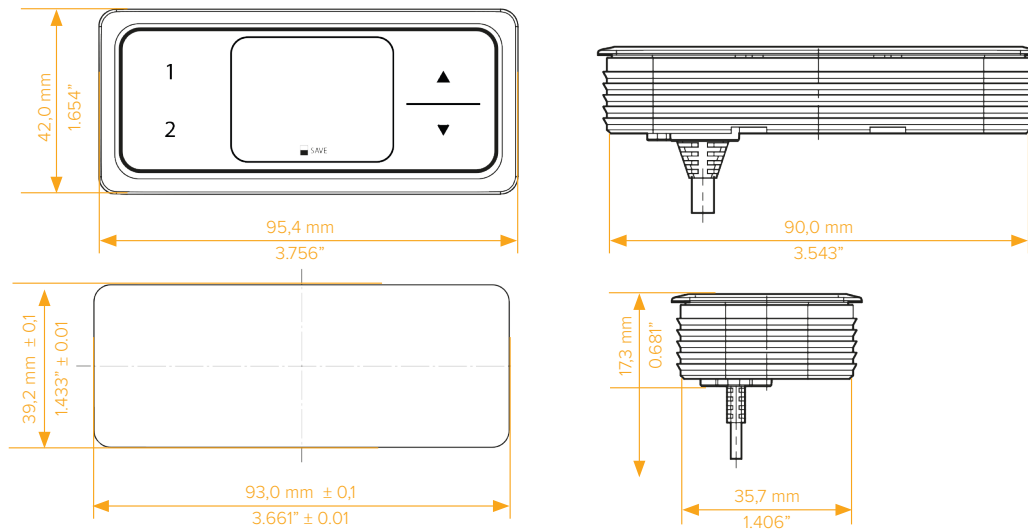
- Fully-customizable Hand Switch
- 2 Memory Positions
- Screwless fixing with rubber ribs
- Lay-flat mounting into the Table Top
- Prepared for IEC 60335-2-116

Contact Headquarters

LOGICDATA Electronic & Software Entwicklungs GmbH
Wirtschaftspark 18, 8530 Deutschlandsberg, office@logicdata.net

North America

LOGICDATA North America Inc., 13617 Woodlawn Hills Dr.,
Cedar Springs, MI 49319, USA, support.na@logicdata.net



TECHNICAL DATA

Supply Voltage	28.5 V DC
Current Consumption (Average Active)	12 mA
Current Consumption (Standby)	<0.15 mA
Cable Length	1 800 mm 70.866" (± 50 mm 1.967")
Dimensions (l × w × h)	42,0 × 95,4 × 17,3 mm 1.654" × 3.756" × 0.681"
Dimensions (Milled Cut-Out)	39,2 × 93,0 mm 1.433" × 3.661" (± 0,1 mm / 0.01")
Ambient Conditions During Operation	+5 °C to +40 °C at max. 68% relative air humidity (non-condensing), up to an altitude of 2 000 m.
Ambient Conditions During Transport and Storage	-25 °C to +40 °C at max. 68% relative air humidity (non-condensing). +40 °C to +60 °C at max. 32% relative air humidity (non-condensing). Temperatures of more than 40 °C for periods not exceeding 10h. Product must be acclimatised to acceptable operating conditions before assembly. Contact LOGICDATA for exact specifications.
Compatibility	Part of the DYNAMIC MOTION System
Degree of Protection (IEC 60529)	IP 20
Standards and Regulations	EMC directive 2014/30/EU RoHS directive 2011/65/EU Prepared for IEC60335-2-116
Order Code	DMUI-TOUCH-C-IL-KM-y-z

