



DYNAMIC MOTION system
DMItouch M
Infinite Flexibility.

DESCRIPTION

Discreet. The DMItouch M inlay Hand Switch provides simple and effective up and down movement control. Its inlay design gives a low-profile appearance with large, comfortable buttons, as well as optimal system control.

FEATURES

- Fully-customizable Hand Switch
- Responsive Up / Down function
- LED-Signal for system information
- Screwless fixing with rubber ribs
- Lay-flat mounting into the table top

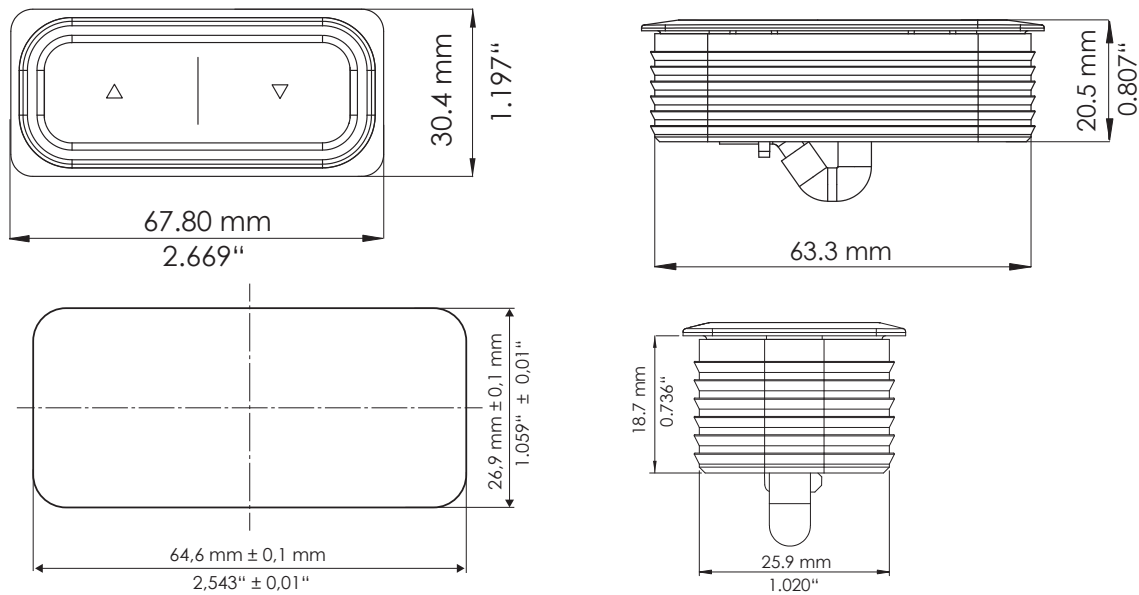
Contact Headquarters

LOGICDATA Electronic & Software Entwicklungs GmbH
Wirtschaftspark 18, 8530 Deutschlandsberg, office.at@logicdata.net

North America

LOGICDATA North America Inc., 5300 Broadmoor Ave SE,
Suite D, Grand Rapids, MI 49512, USA, office.na@logicdata.net





Milled cut-out

TECHNICAL DATA

Rated Supply voltage	28.5 V DC
Current Consumption (average)	7 mA
Current Consumption (standby)	<0.1 mA
Cable length	1 800 mm / 70.866 " (± 50 mm / 1.967 ")
Dimensions (l x w x h)	30.4 × 67.8 × 20.5 mm / 1.197" × 2.669" × 0.807"
Dimensions (milled cut-out)	26.9 × 64.6 mm / 1.059" × 2.543" (± 0.1 mm / 0.01")
Ambient conditions during operation	+5 °C to +40 °C at max. 68% relative air humidity (non-condensing), up to an altitude of 2,000 m.
Ambient conditions during transport and storage	-25 °C to +40 °C at max. 68% relative air humidity (non-condensing). +40 °C to +60 °C at max. 32% relative air humidity (non-condensing). Temperatures of more than +40 °C for periods not exceeding 10h. Product must be acclimatised to acceptable operating conditions before assembly. Contact LOGICDATA for exact specifications.
Compatibility	Part of the DYNAMIC MOTION system
Degree of protection (IEC 60529)	IP 20
Standards and regulations	EMC directive 2014/30/EU RoHS directive 2011/65/EU Dodd Frank Act Section 1502
Order Code	DMUI-TOUCH-B-IL-y-z

Reserved, standard is blank

Customer Code, up to 3 characters, standard is "LD"