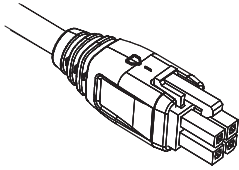
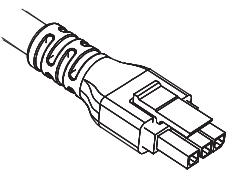
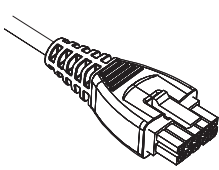
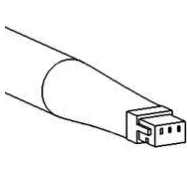
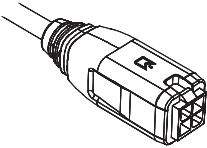
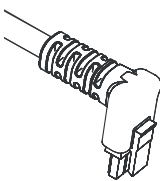
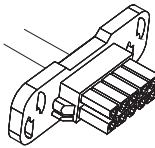
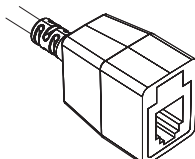
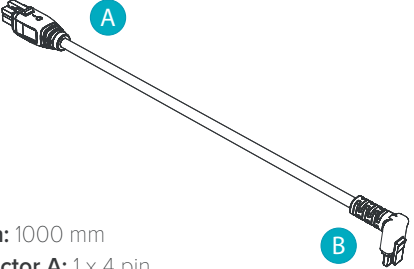
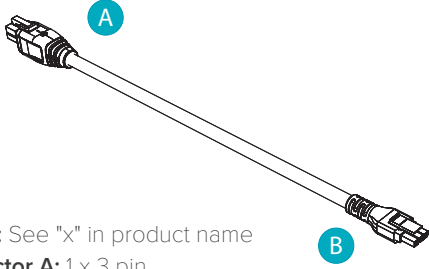


CABLES: DYNAMIC MOTION system

CONNECTOR TYPES

| DYNAMIC MOTION standard | DYNAMIC MOTION motor | DYNAMIC MOTION accessory | EXTERNAL SENSOR adapter |
|---|---|--|---|
|  <p>Connector Type: 4-Pin Connects to: Power</p> |  <p>Connector Type: 3-Pin Connects to: Actuators</p> |  <p>Connector Type: 10-Pin Connects to: LOGIClink</p> |  <p>Connector Type: 3-Pin Connects to: Actuator</p> |
|  <p>Connector Type: 4-Pin Connects to: Standard Cable</p> |  <p>Connector Type: 3-Pin, 90° Connects to: Actuators</p> |  <p>Connector Type: 10-Pin Connects to: LOGICcell</p> |  <p>Connector Type: 4-Pin (RJ) Connects to: LOG-PRT-DMS</p> |

CABLES

| DMLIN-ACR-1000 | DMLIN-AST-x |
|--|--|
|  <p>Length: 1000 mm Connector A: 1 x 4 pin Connector B: 1 x 3 pin, 90° Cranked Application: Power Hub to Actuator</p> |  <p>Length: See "x" in product name Connector A: 1 x 3 pin Connector B: 1 x 4 pin Application: Power Hub to Actuator</p> |

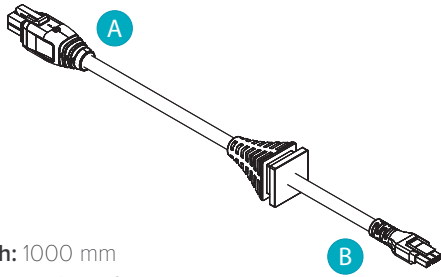
Contact Headquarters

LOGICDATA Electronic & Software Entwicklungs GmbH
Wirtschaftspark 18, 8530 Deutschlandsberg, office.at@logicdata.net

North America

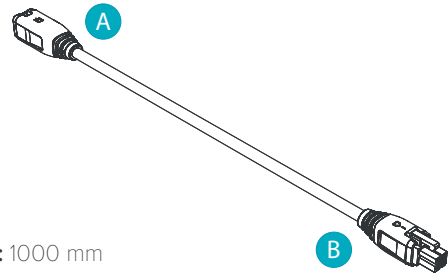
LOGICDATA North America, Inc.
Broadmoor Ave SE, Suite D Grand Rapids MI, USA, office.na@logicdata.net

DMLIN-AST-SR-1000



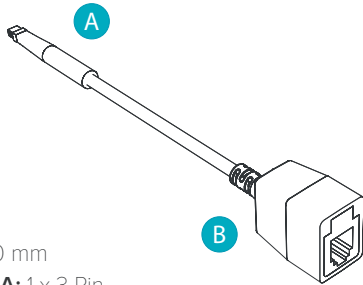
Length: 1000 mm
Connector A: 1 x 3 pin
Connector B: 1 x 4 pin
Application: Power Hub to Actuator

DMLIN-EXT-1000



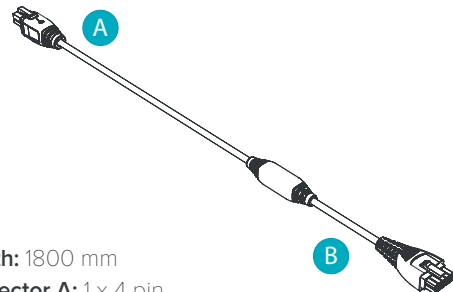
Length: 1000 mm
Connector A: 1 x 4 pin
Connector B: 1 x 4 pin
Application: Extension Cable

DMLIN-DMS-100



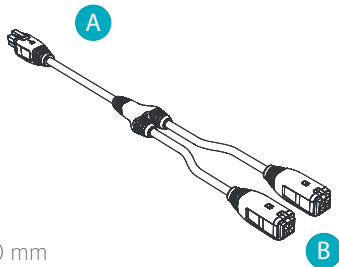
Length: 100 mm
Connector A: 1 x 3 Pin
Connector B: 1 x 4 Pin (RJ)
Application: DMS Sensor Adapter Cable

DMLIN-LL-1800



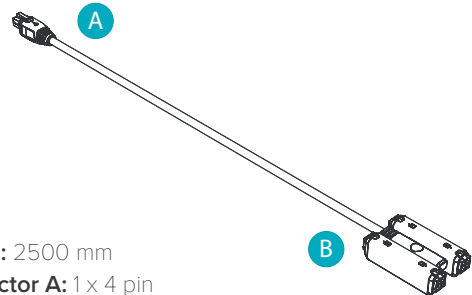
Length: 1800 mm
Connector A: 1 x 4 pin
Connector B: 1 x 10 pin
Application: Power Hub to Connectivity Hub

DMC-BR-200



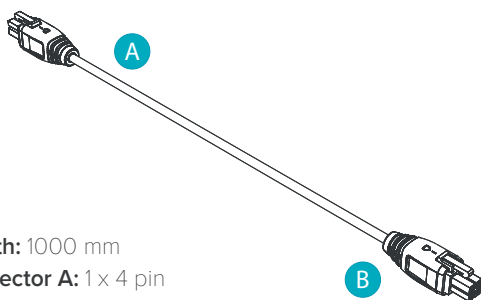
Length: 200 mm
Connector A: 1 x 4 pin
Connector B: 2 x 4 pin
Application: Branch Cable

DMC-BA-2500



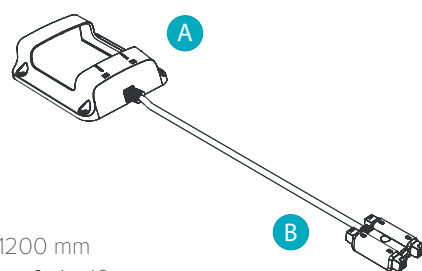
Length: 2500 mm
Connector A: 1 x 4 pin
Connector B: 4 x 4 pin
Application: Benching Application Cable

DMC-CA-1000



Length: 1000 mm
Connector A: 1 x 4 pin
Connector B: 1 x 4 pin
Application: Conference Application Cable

DMC-LC-1200



Length: 1200 mm
Connector A: 1 x 10 pin
Connector B: 4 x 4 pin
Application: Adapter Cable for Battery Packs