



White



Black



Silver

LOGICflex F1-EU

The Flexible All-rounder.

DESCRIPTION

The LOGICflex family is a range of adjustable frames that represents the perfect package for retailers and end users. Optimized for e-commerce – with flawless user experience, technology and stunning design – each frame adjusts perfectly to the needs of your business and customers. Choose between fixed-width (S-Series) and adjustable-width (F-Series) versions to suit whatever design you have in mind.

FEATURES

- Sixfold width adjustable
- Unique leg shaping and design
- Clean, crisp design
- Intelligent system protection
- 2 integrated sensors
- Brushless motor technology
- Plug & play technology
- Simple & fast set up
- Compact & e-commerce designed packaging

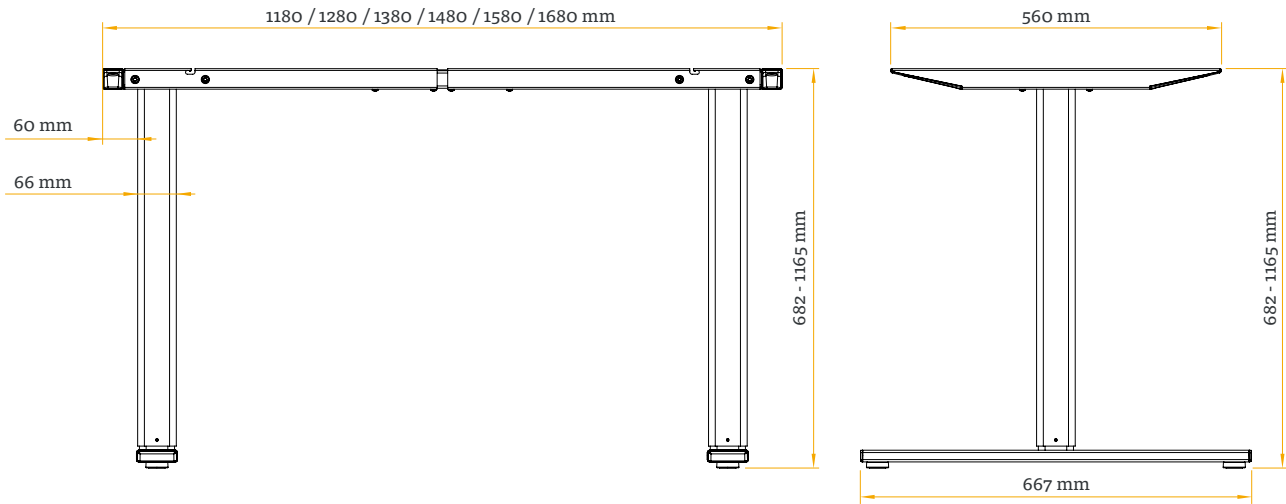
Contact Headquarters

LOGICDATA Electronic & Software Entwicklungs GmbH
Wirtschaftspark 18, 8530 Deutschlandsberg, office.at@logicdata.net

North America

LOGICDATA North America Inc., 5300 Broadmoor Ave SE,
Suite D, Grand Rapids, MI 49512, USA, office.na@logicdata.net





TECHNICAL DATA

Frame size	1180 - 1680 mm
Travel range (without tabletop)	682 mm (± 13 mm) - 1165 mm (± 13 mm)
Stroke	483 mm
Adjustment speed	38 mm/s
Lifting capacity (without tabletop)	100 kg
Weight (frame only)	23 kg
Weight (packaging)	26 kg
Dimensions (packaging)	1140 x 190 x 225 mm
Available colors	White non-structured, Black non-structured, Silver non-structured
Ambient conditions during transport and storage	Temperature between -35°C and 85°C Temperature over 50°C only for periods not exceeding 72 h Maximum relative humidity between 95% and 5% (lower allowed)
Ambient conditions during operation	Temperature between 5°C and 40°C Maximum relative humidity between 95% and 68% (lower allowed)
Applied standards	EN ISO 12100 DIN EN ISO 13854 EN 60335-1 EN 527-2 EN 62233 EN IEC 61000-6-1 EN 61000-6-3 EN 61000-3-2 EN 61000-3-3 ISO 13849-1 ISO 13849-2, PLb AfPS GS 2019:01 - PAH
Order code	Example: LOGICflex-F1-EU-WHT-LDS-00 LOGICflex-Ao-BB-CCC-DDD-00

