



White



Black



Silver

# LOGICflex F2-US

## The Flexible All-rounder.

## DESCRIPTION

The LOGICflex family is a range of adjustable frames that represents the perfect package for retailers and end users. Optimized for e-commerce – with flawless user experience, technology and stunning design – each frame adjusts perfectly to the needs of your business and customers. Choose between fixed-width (S-Series) and adjustable-width (F-Series) versions to suit whatever design you have in mind.

## FEATURES

- Sixfold width adjustable
- Unique leg shaping and design
- Clean, crisp design
- Intelligent system protection
- 2 integrated sensors
- Brushless motor technology
- Plug & play technology
- Simple & fast set up
- Compact & e-commerce designed packaging

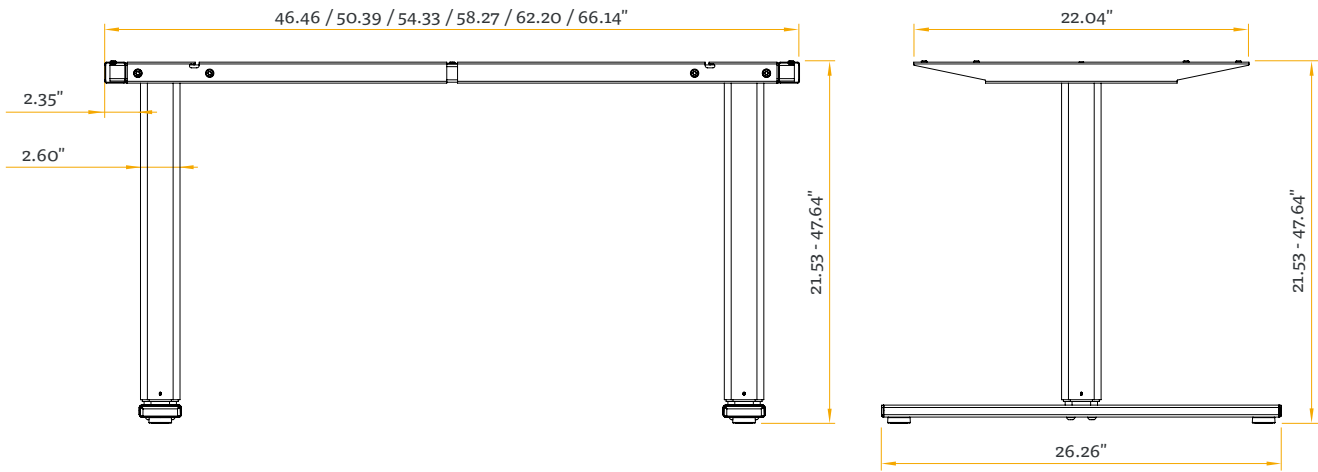
### Contact Headquarters

LOGICDATA Electronic & Software Entwicklungs GmbH  
Wirtschaftspark 18, 8530 Deutschlandsberg, [office.at@logicdata.net](mailto:office.at@logicdata.net)


### North America

LOGICDATA North America Inc., 5300 Broadmoor Ave SE,  
Suite D, Grand Rapids, MI 49512, USA, [office.na@logicdata.net](mailto:office.na@logicdata.net)





## TECHNICAL DATA

<b>Frame size</b>	46.46" - 66.14"
<b>Travel range (without tabletop)</b>	21.53" ( $\pm 1.6"$ ) - 47.64" ( $\pm 1.6"$ )
<b>Stroke</b>	26.1"
<b>Adjustment speed</b>	1.5"/s
<b>Lifting capacity (without tabletop)</b>	220.5 lbs
<b>Weight (frame only)</b>	51 lbs
<b>Weight (packaging)</b>	57 lbs
<b>Dimensions (packaging)</b>	44.9" x 7.5" x 8.9"
<b>Available colors</b>	White non-structured, Black non-structured, Silver non-structured
<b>Ambient conditions during transport and storage</b>	Temperature between -35°C and 85°C Temperature over 50°C only for periods not exceeding 72 h Maximum relative humidity between 95% and 5% (lower allowed)
<b>Ambient conditions during operation</b>	Temperature between 5°C and 40°C Maximum relative humidity between 95% and 68% (lower allowed)
<b>Certificates</b>	 (E529430)
<b>Applied standards</b>	UL962 BIFMA X5.5
<b>Order code</b>	Example: LOGICflex-F2-US-WHT-LDS-00 LOGICflex-Ao-BB-CCC-DDD-00

