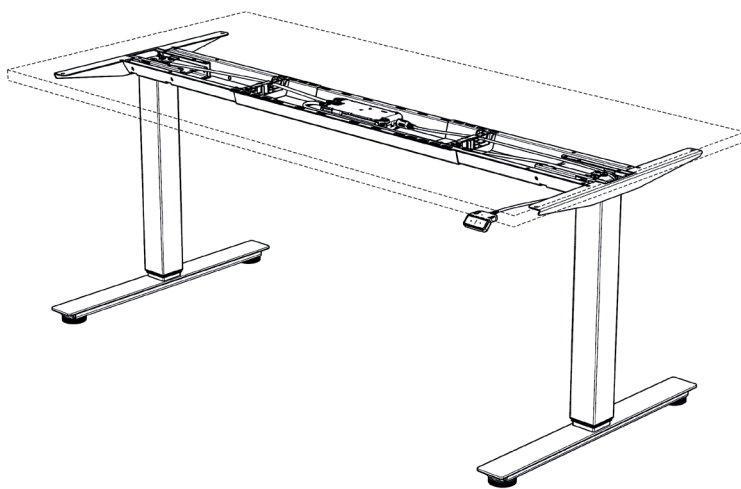
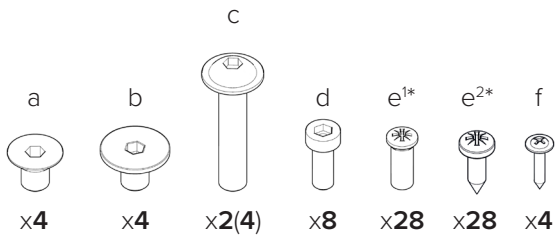
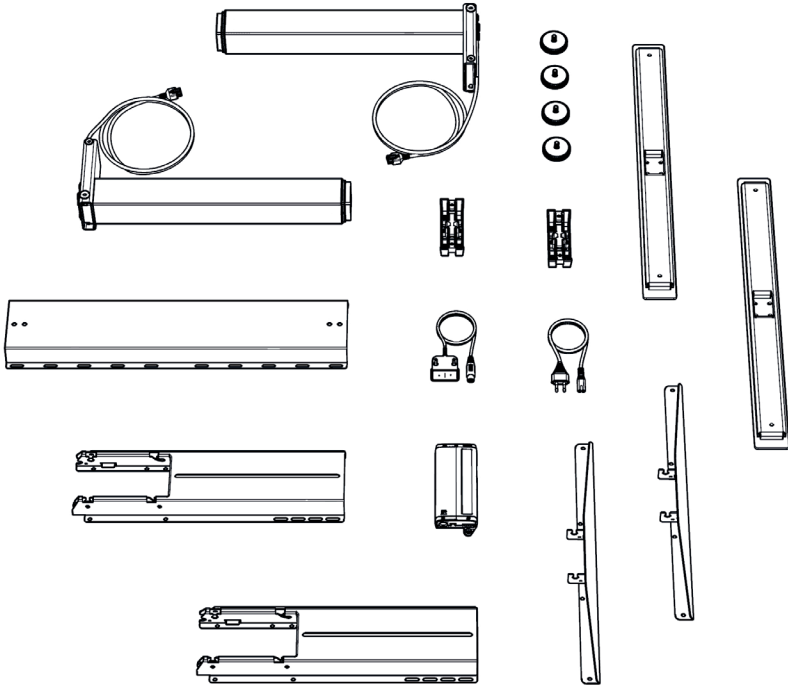


OPTIMUS Frame 2-leg

ASSEMBLY INSTRUCTIONS





*If there are **no pre-drilled holes** in the tabletop, **use screw e²** wherever screw e¹ is indicated.

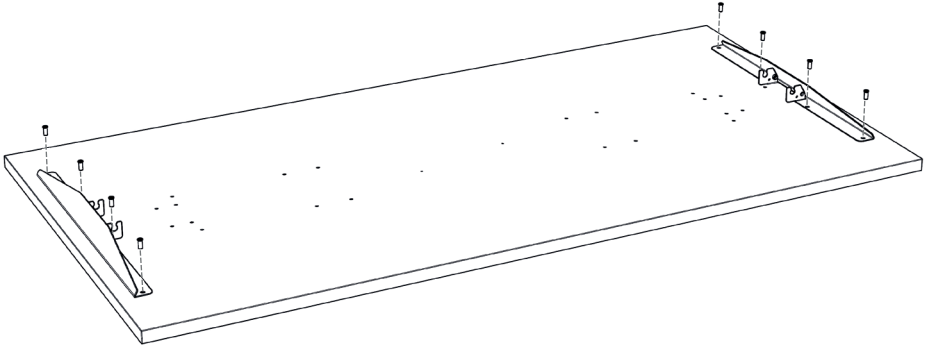
1.



x2



x8



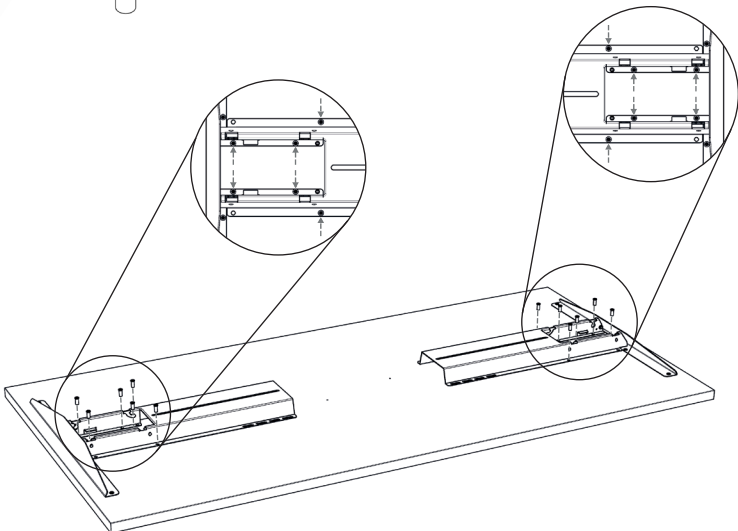
2.



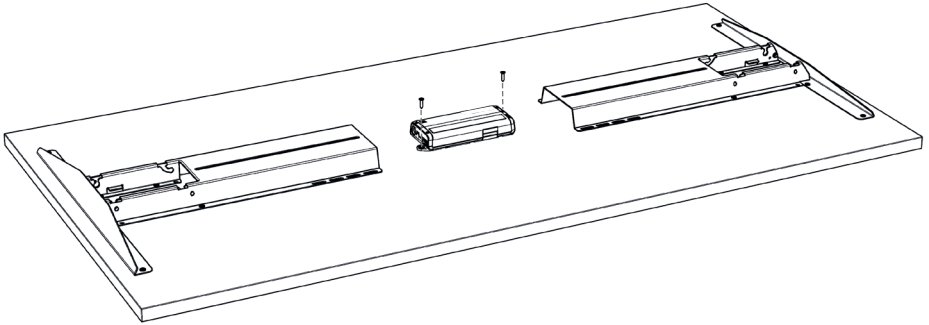
x2



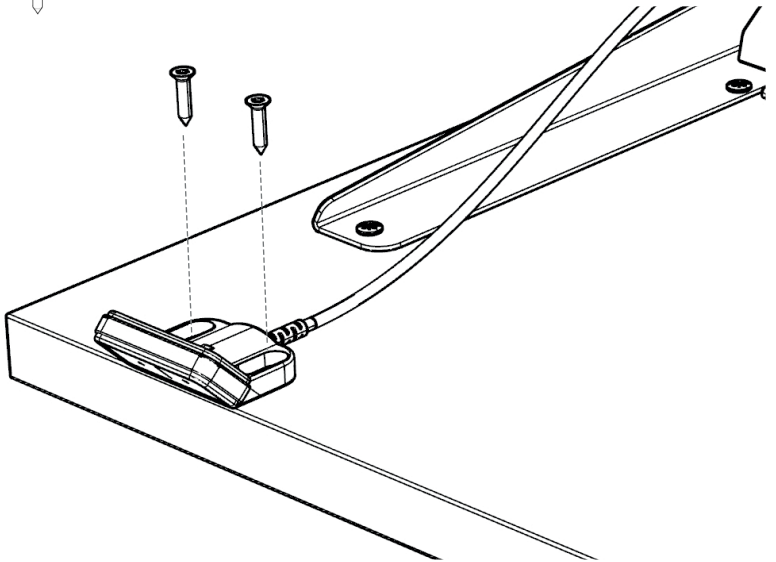
x12



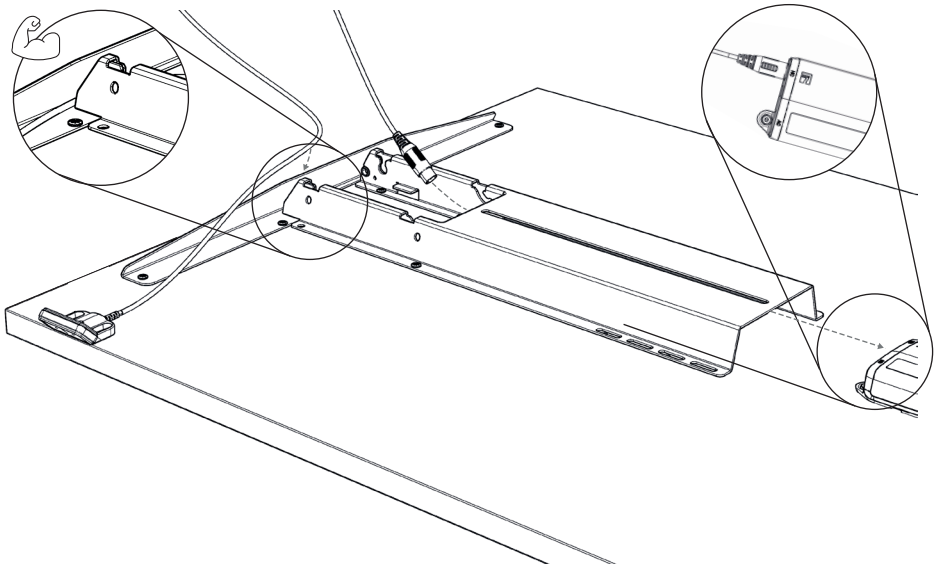
3.



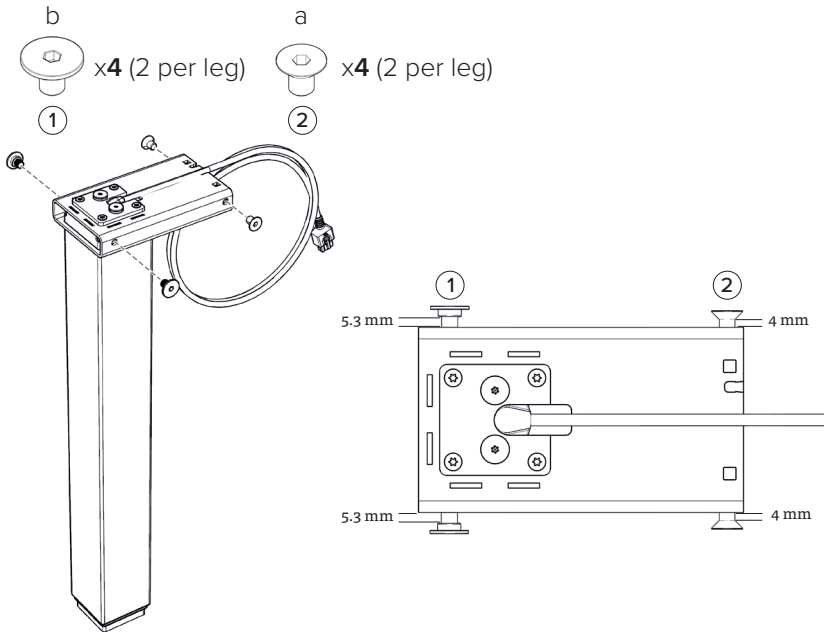
4.



5.

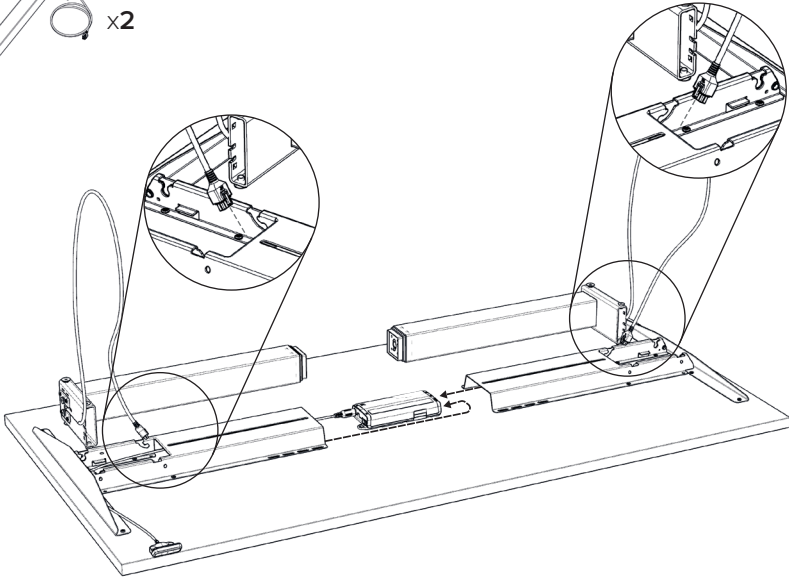


6.

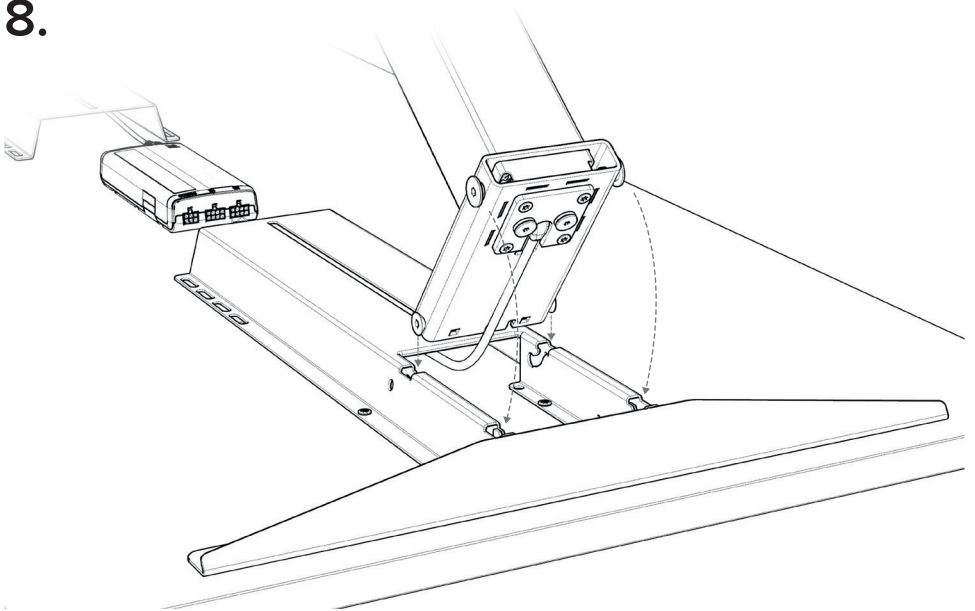


*If screws are pre-assembled skip this step.

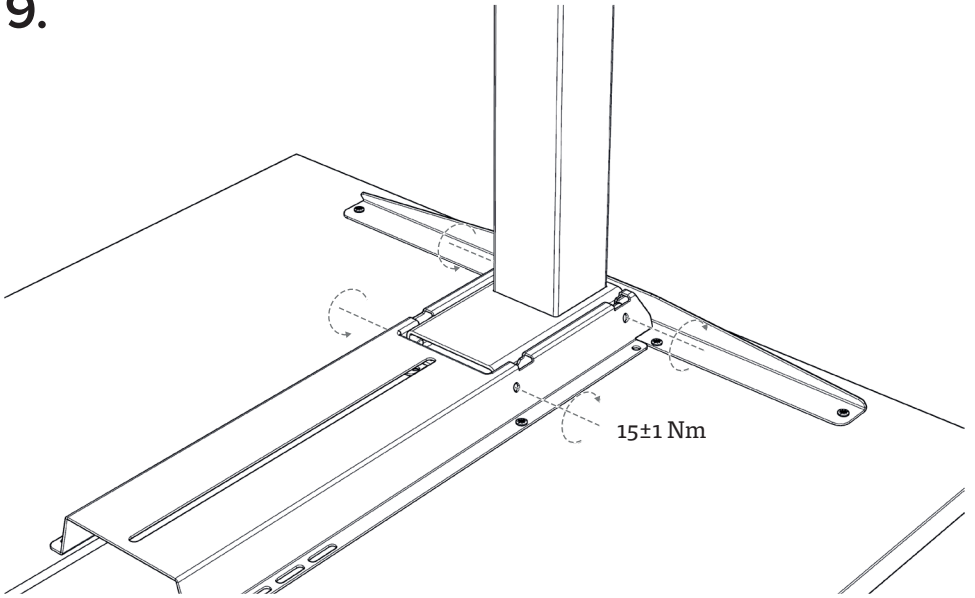
7.  x2



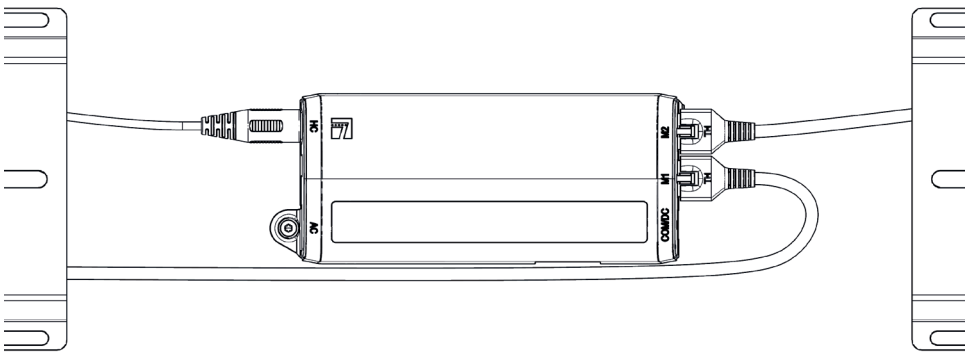
8.



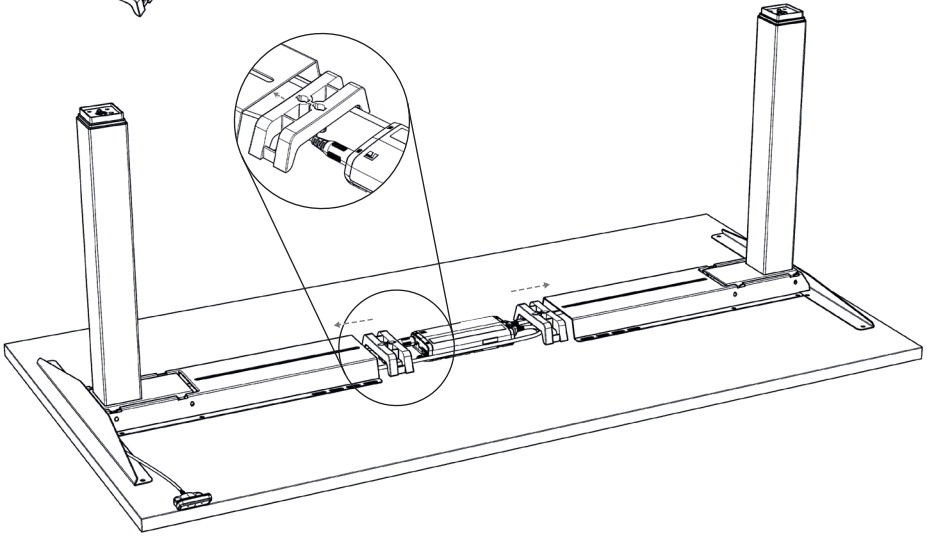
9.



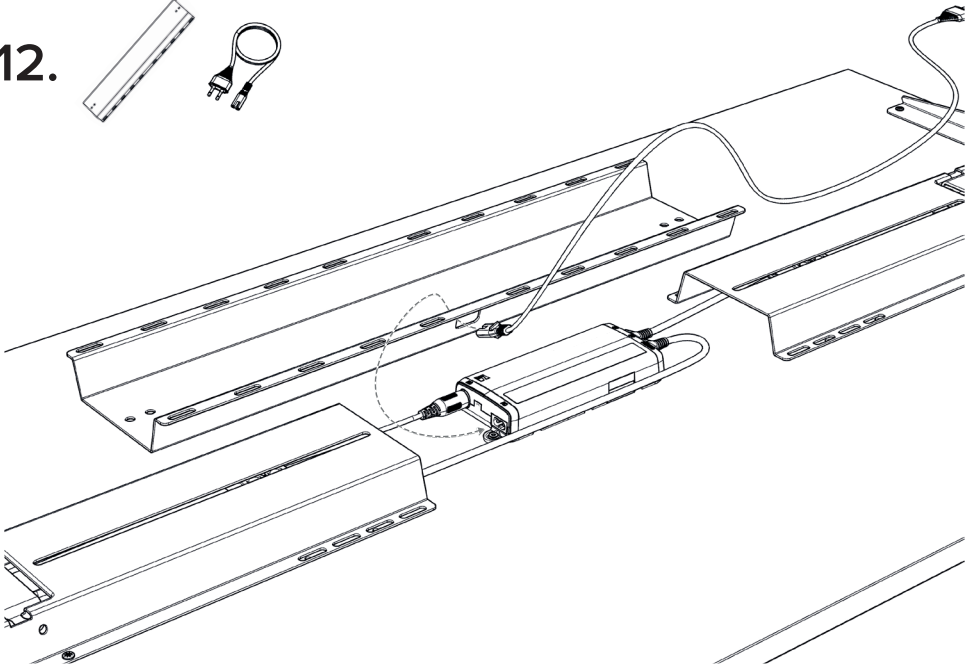
10.



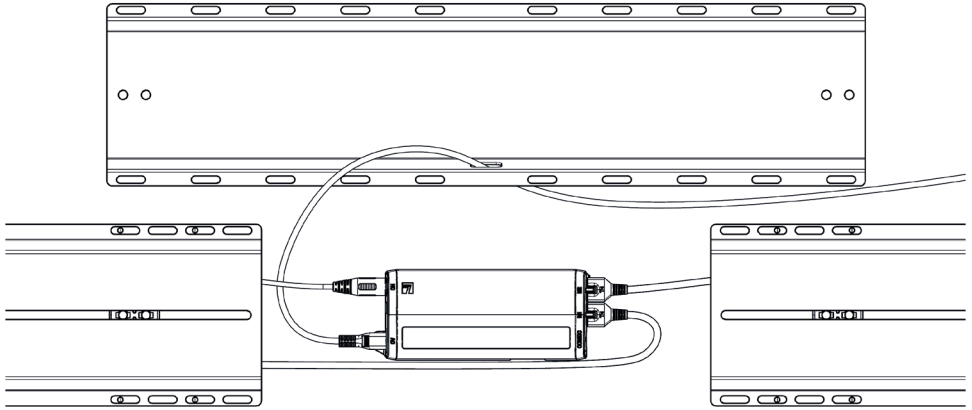
11.  x2



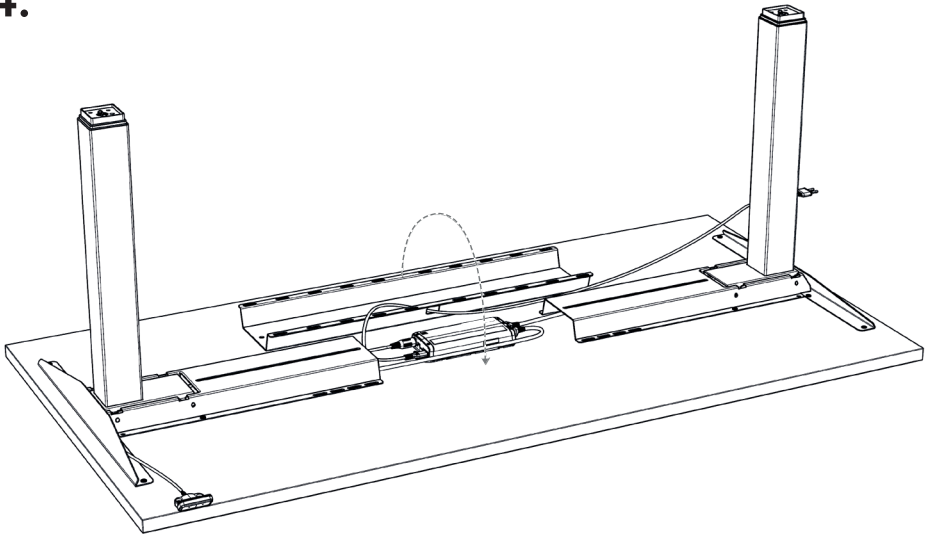
12.  

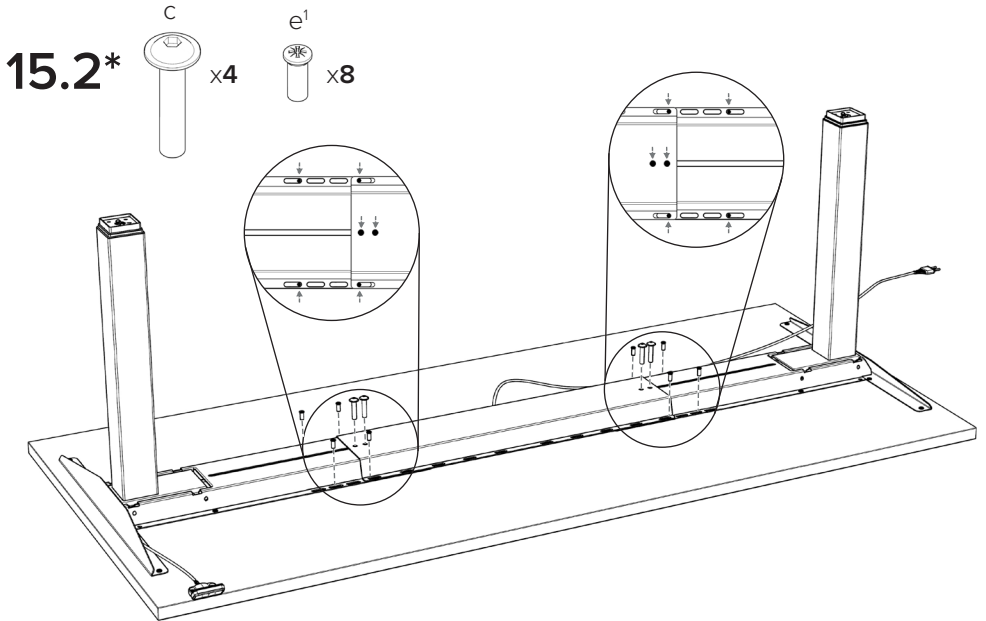
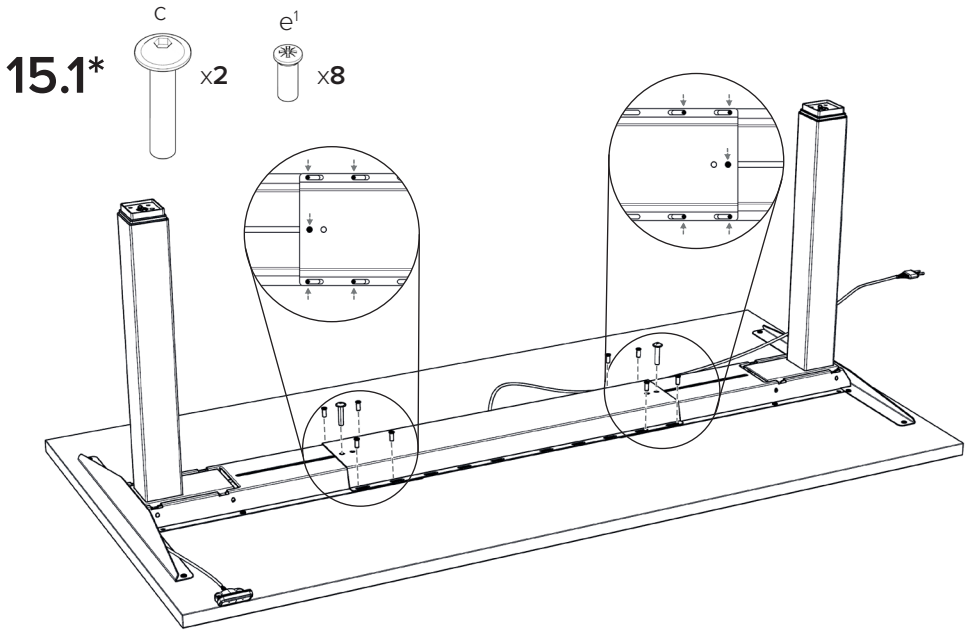


13.



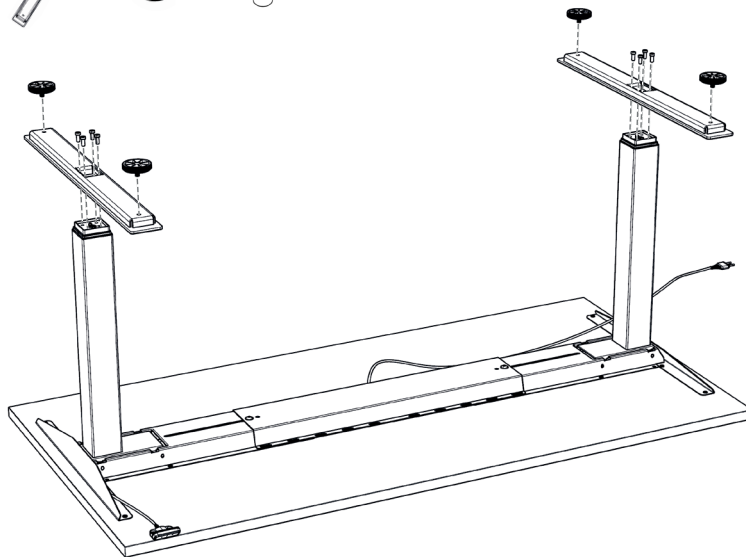
14.



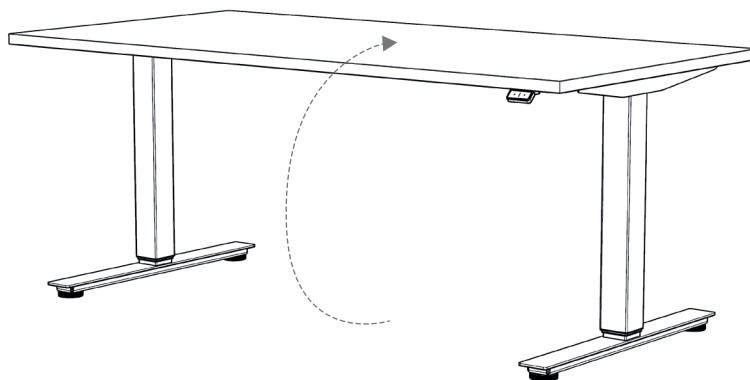


*Depending on the tabletop size, there is a different overlap of the steel parts. Therefore, in the long version two extra screws are needed.

16.



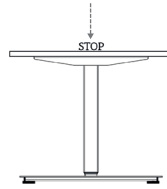
17.



18. Perform END POSITION RESET



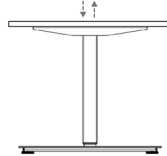
Press and hold DOWN key until table stops at lower position limit



Release DOWN key



Press and hold DOWN key
Table moves down slightly,
then up again



Release DOWN key