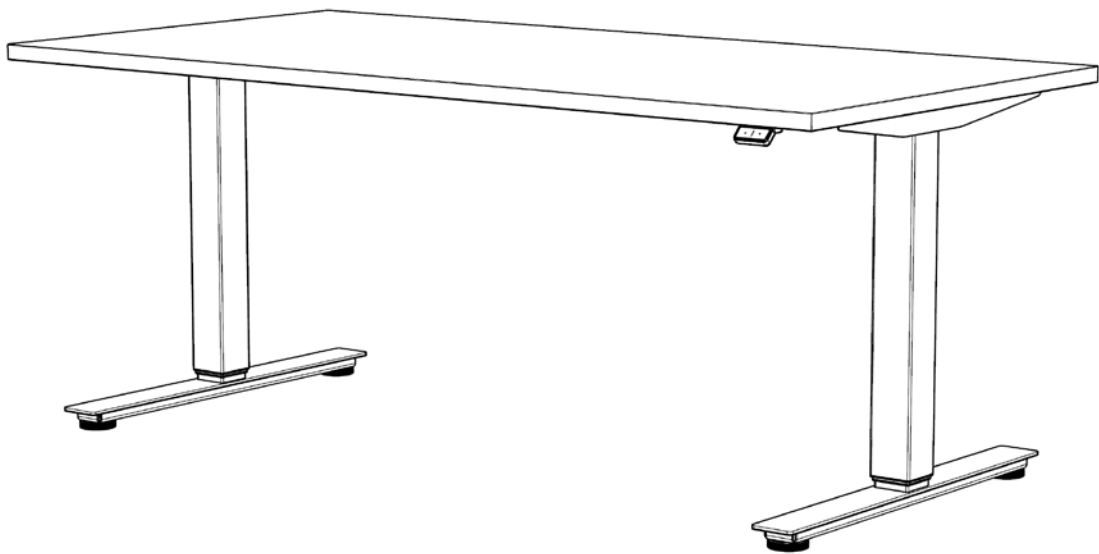
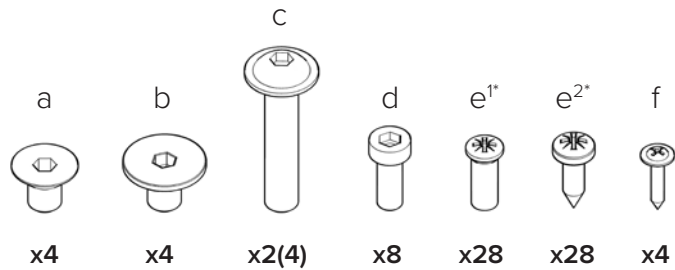
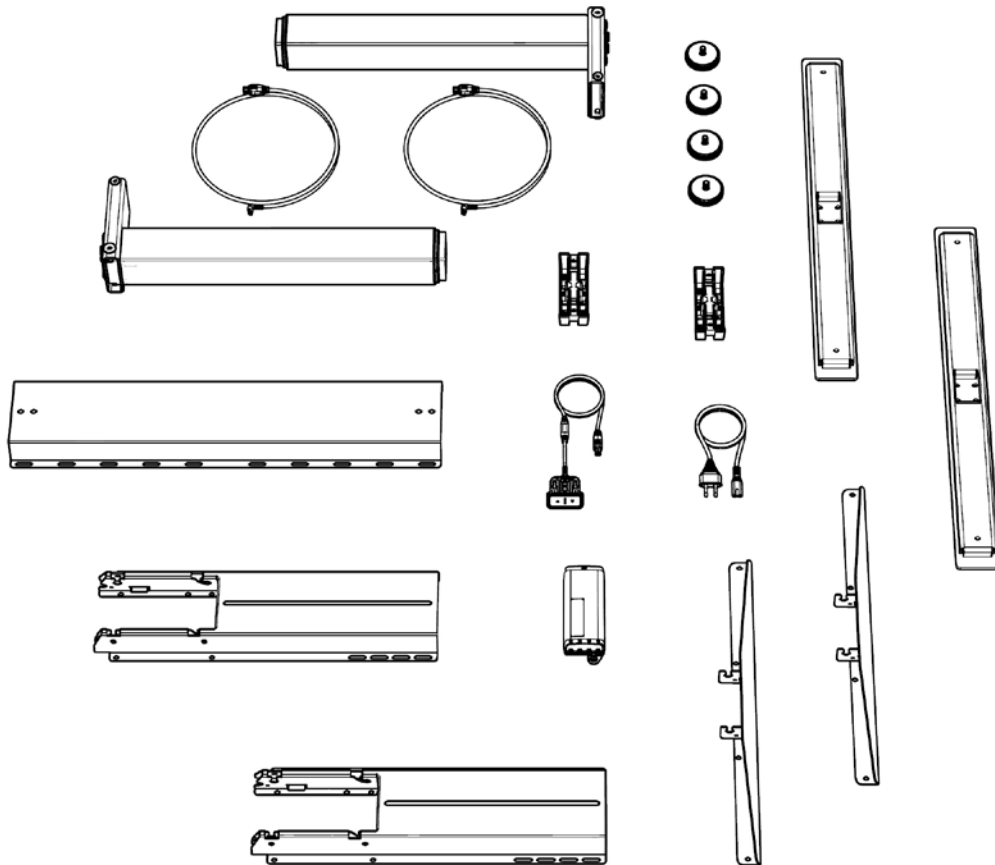


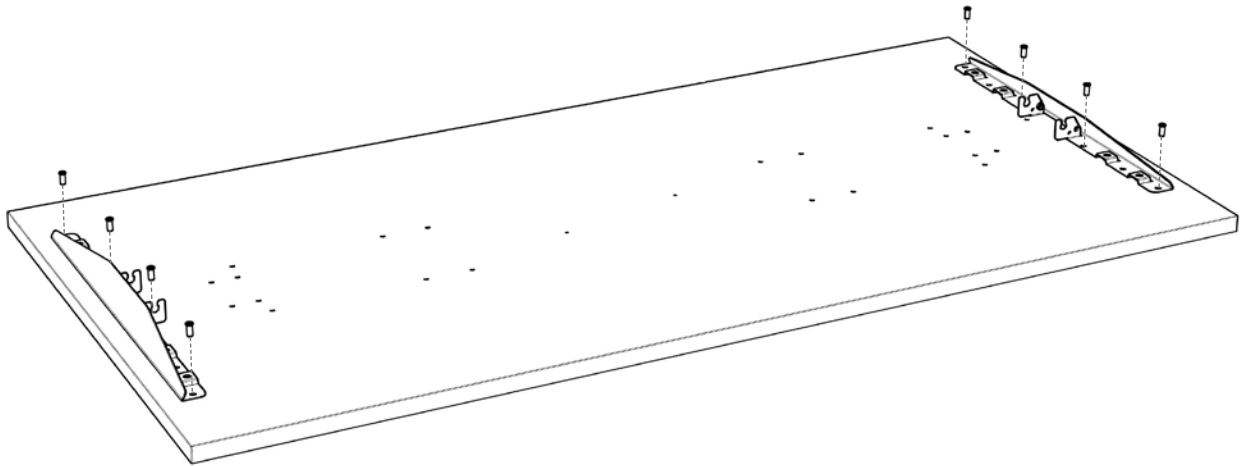
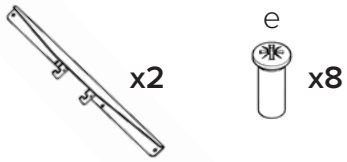
OPTIMUS **Program 2-LEG**
DYNAMIC MOTION System
ASSEMBLY INSTRUCTIONS



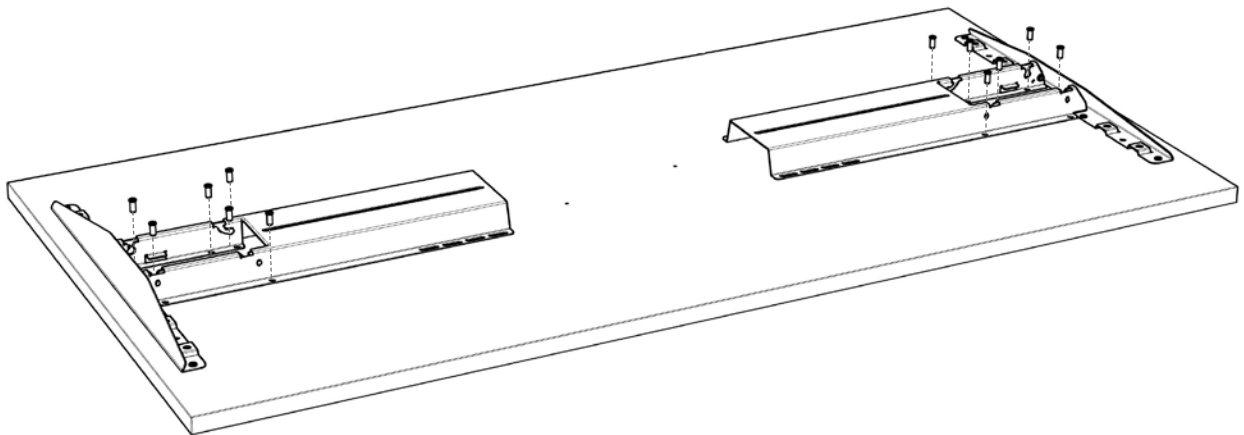
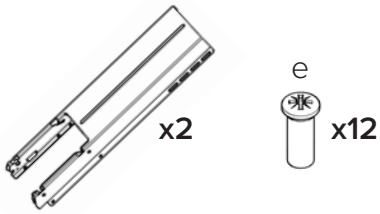


*If there are **no pre-drilled holes** in the tabletop, use screw **e²** wherever screw **e** is indicated.

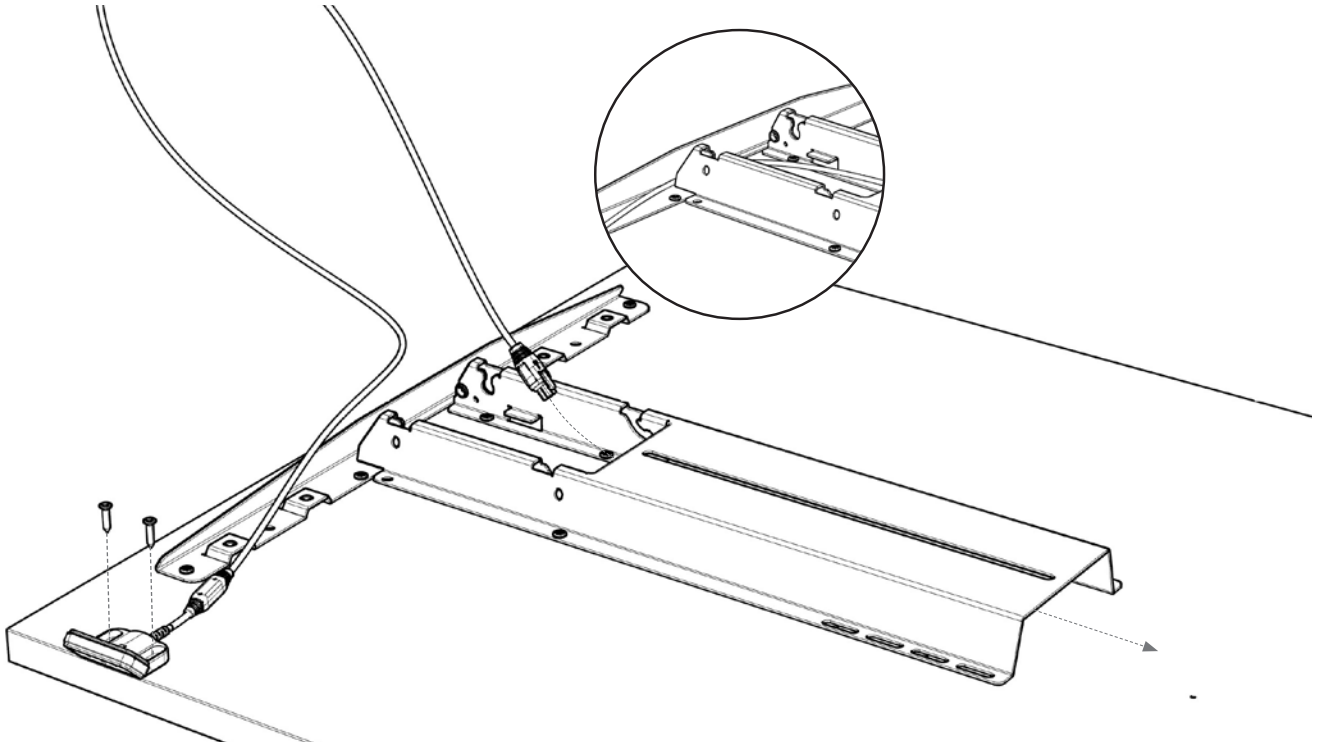
1.



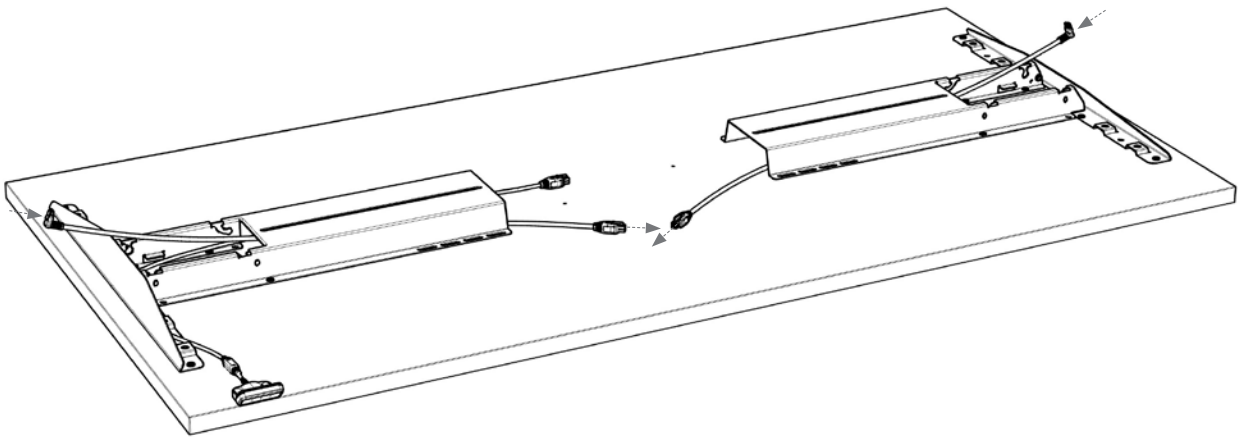
2.

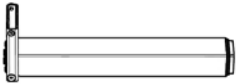


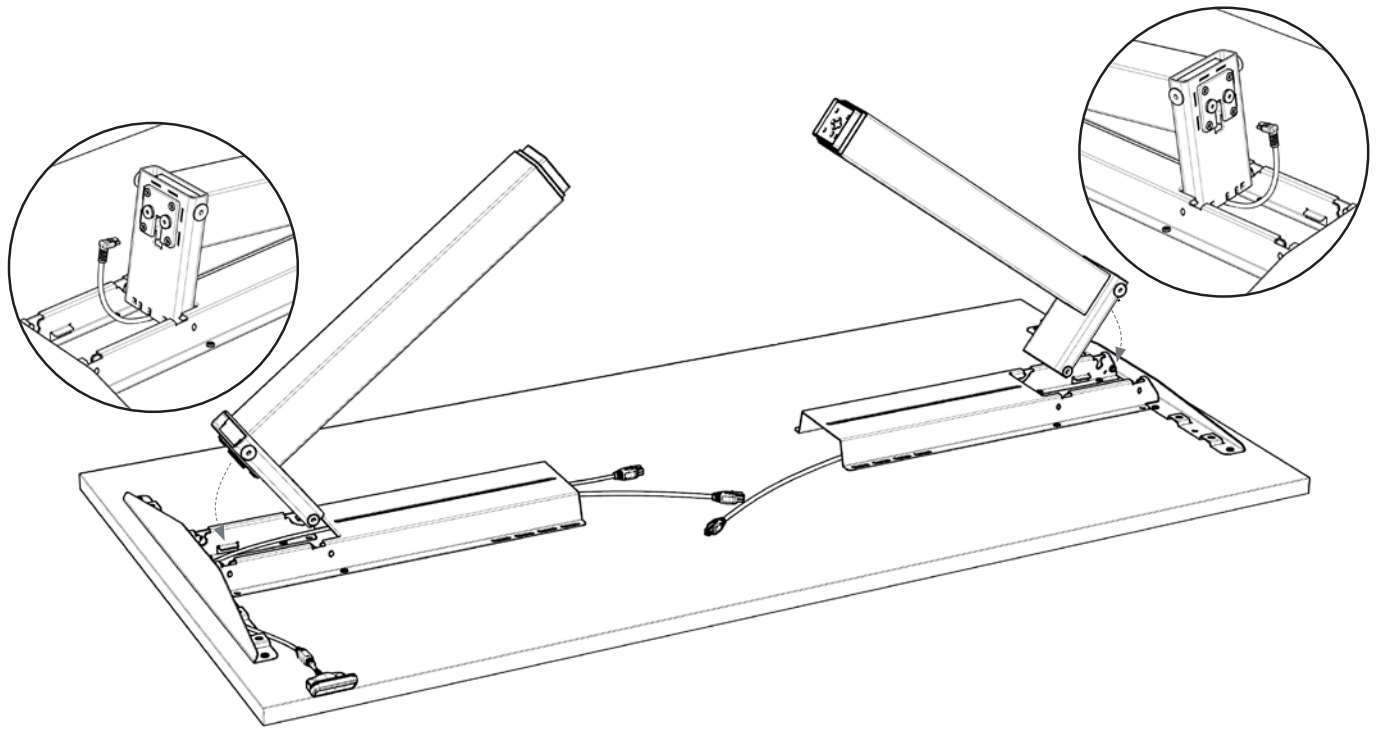
3.  x1  x2



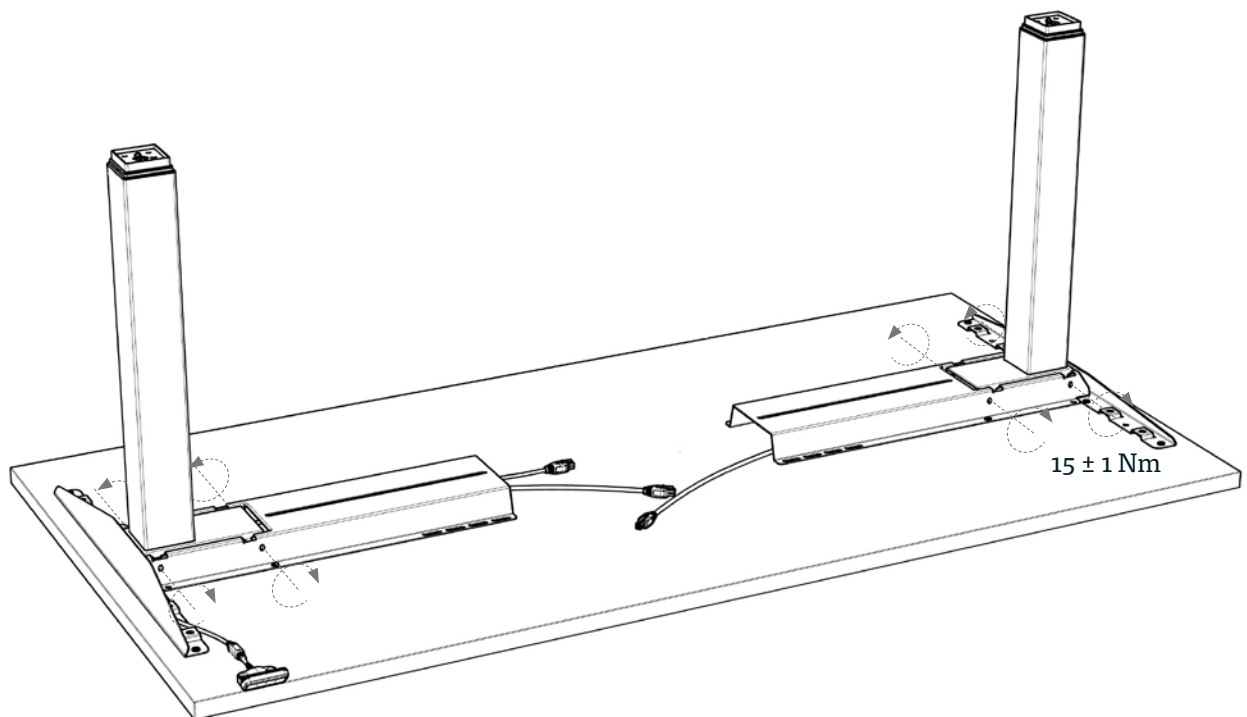
4.  x2




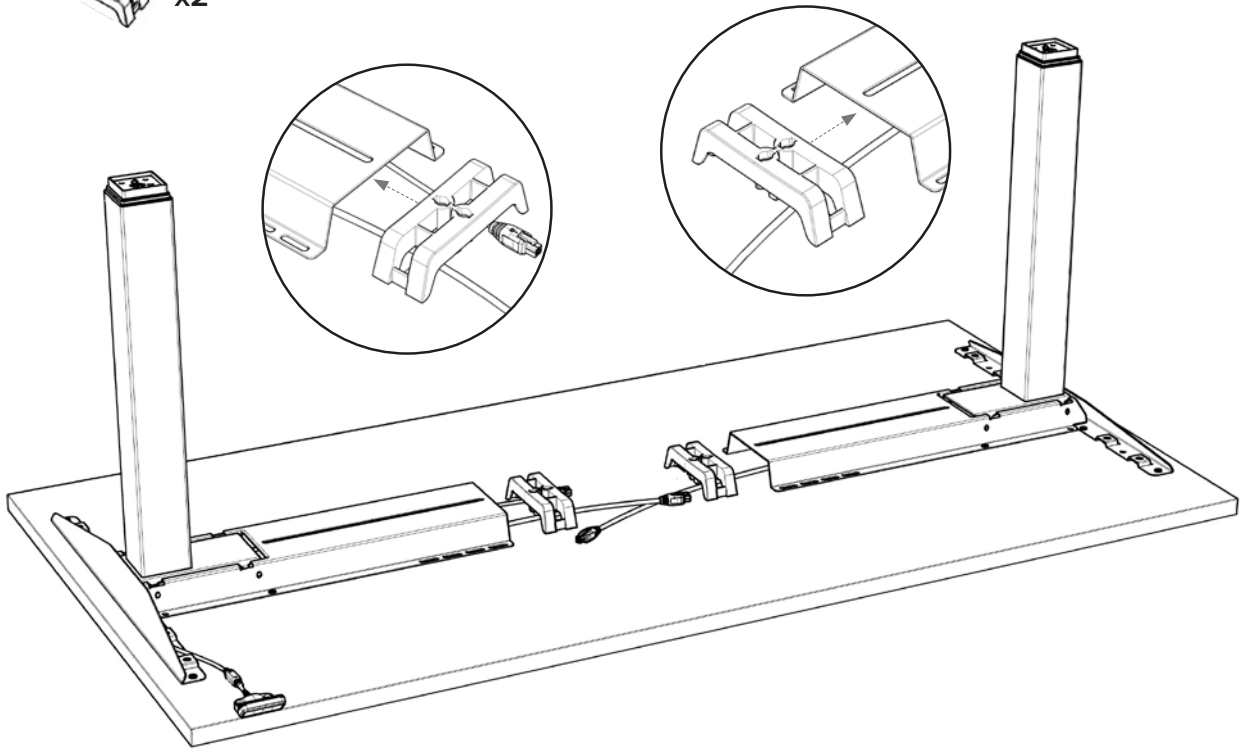
5.  x2





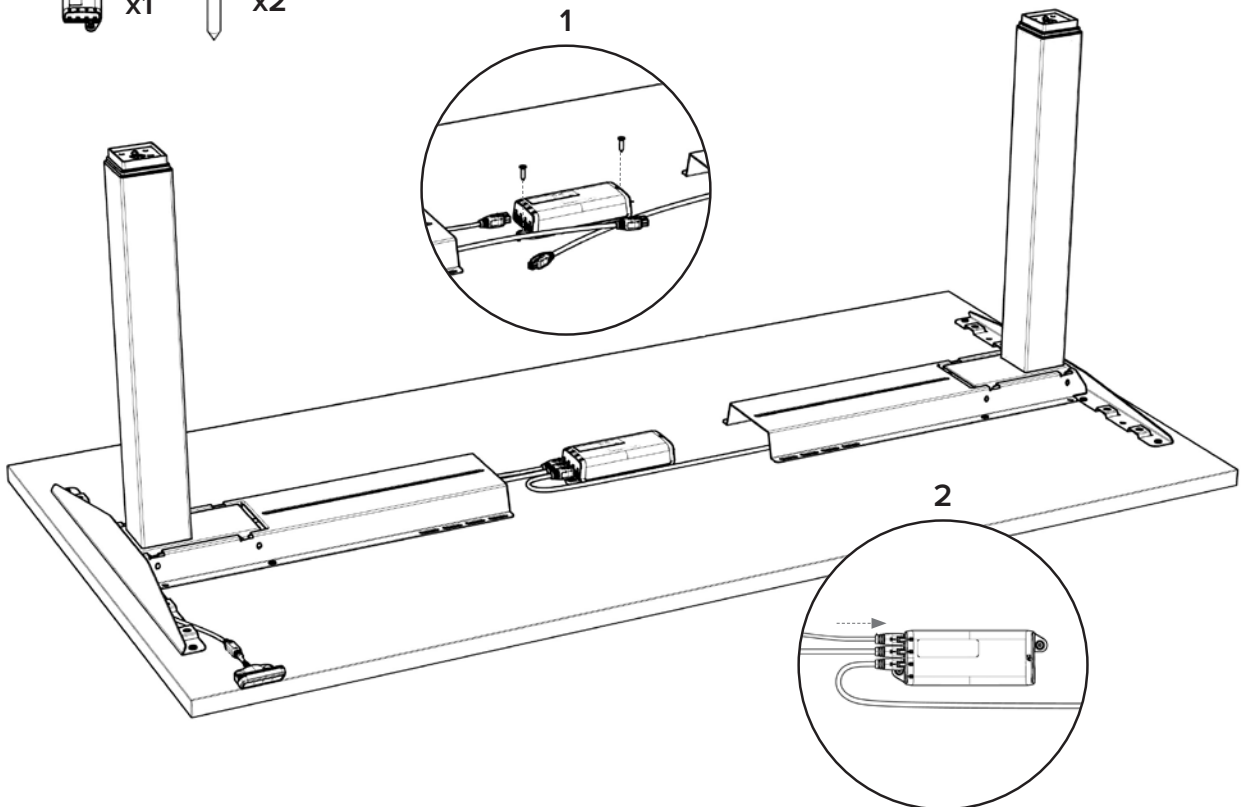
6.



7.  x2

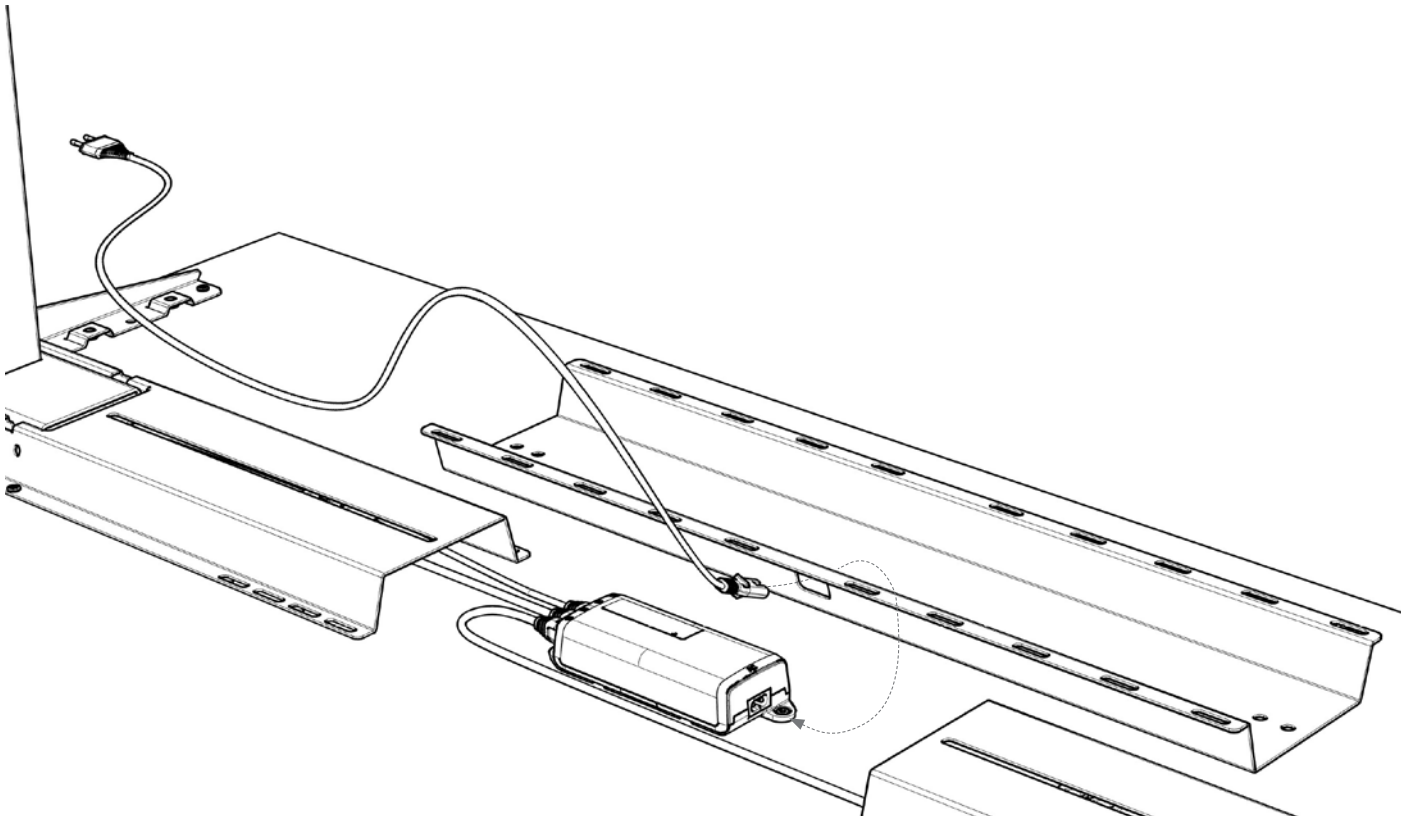


8.  x1  x2

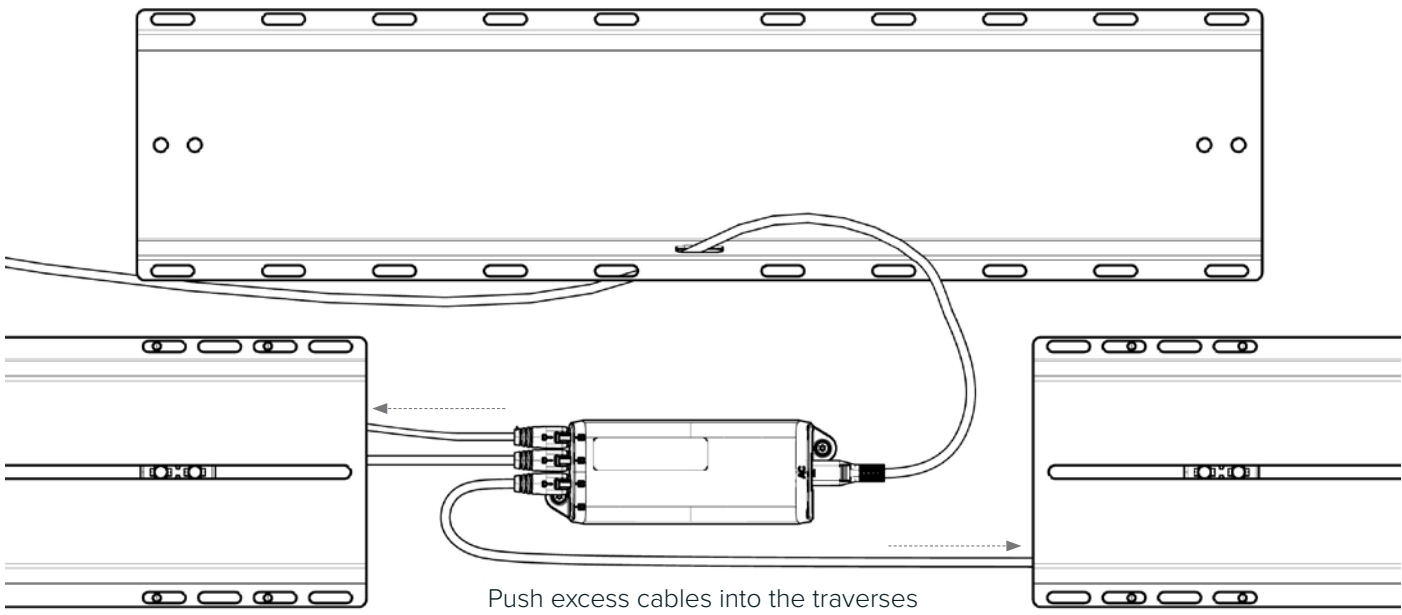


NOTE: For table top size 1400 mm do step 9 before step 8.

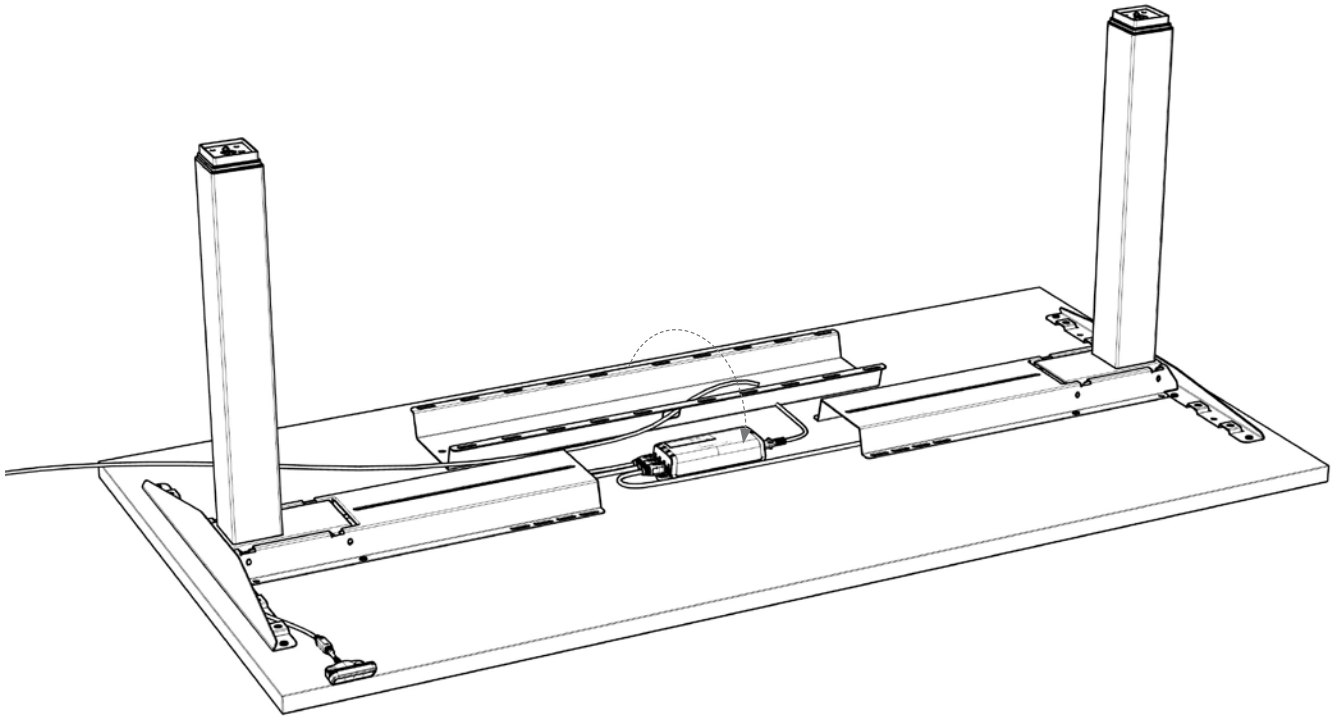
9.  x1  x1



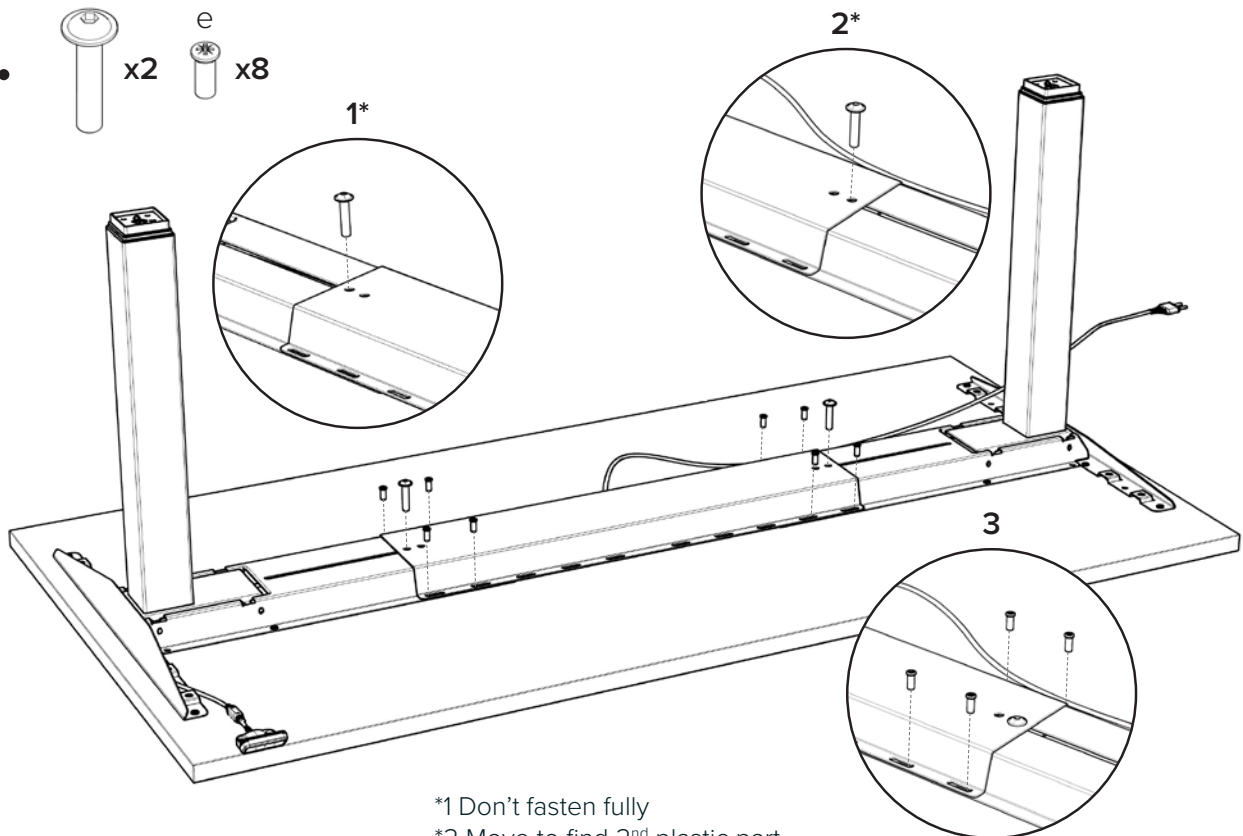
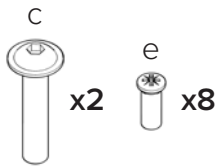
10.



11.



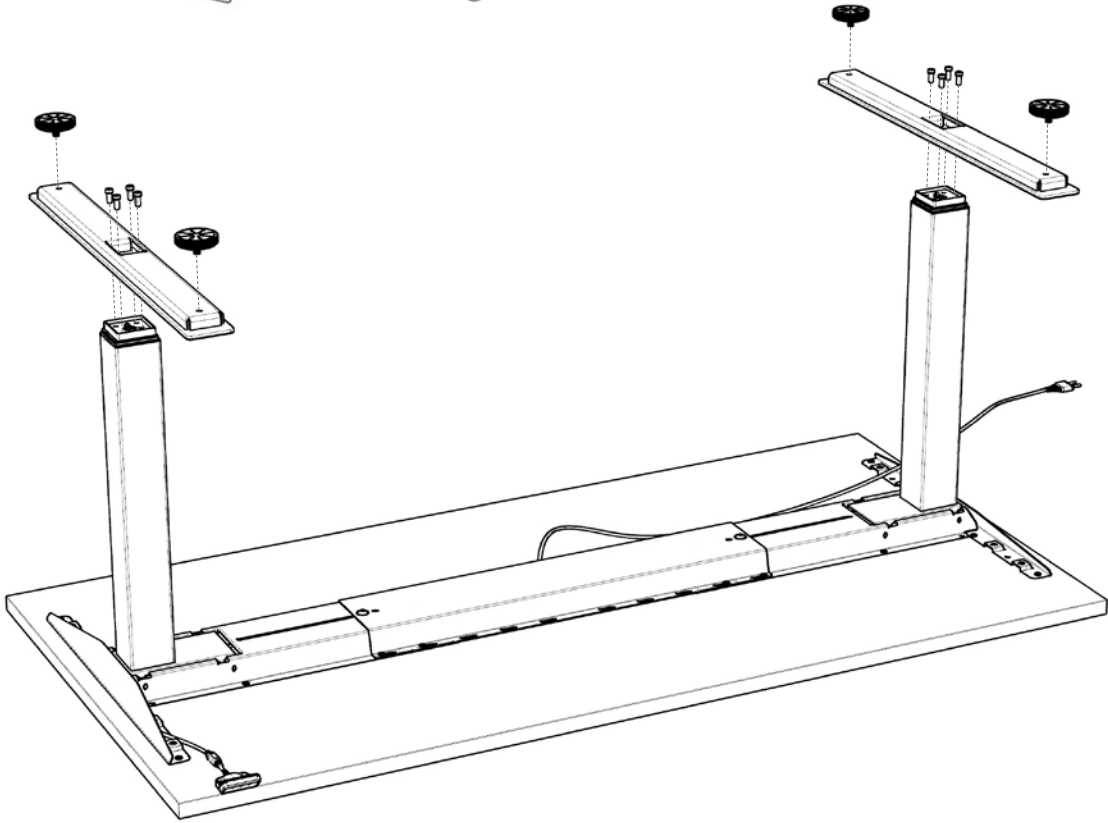
12.



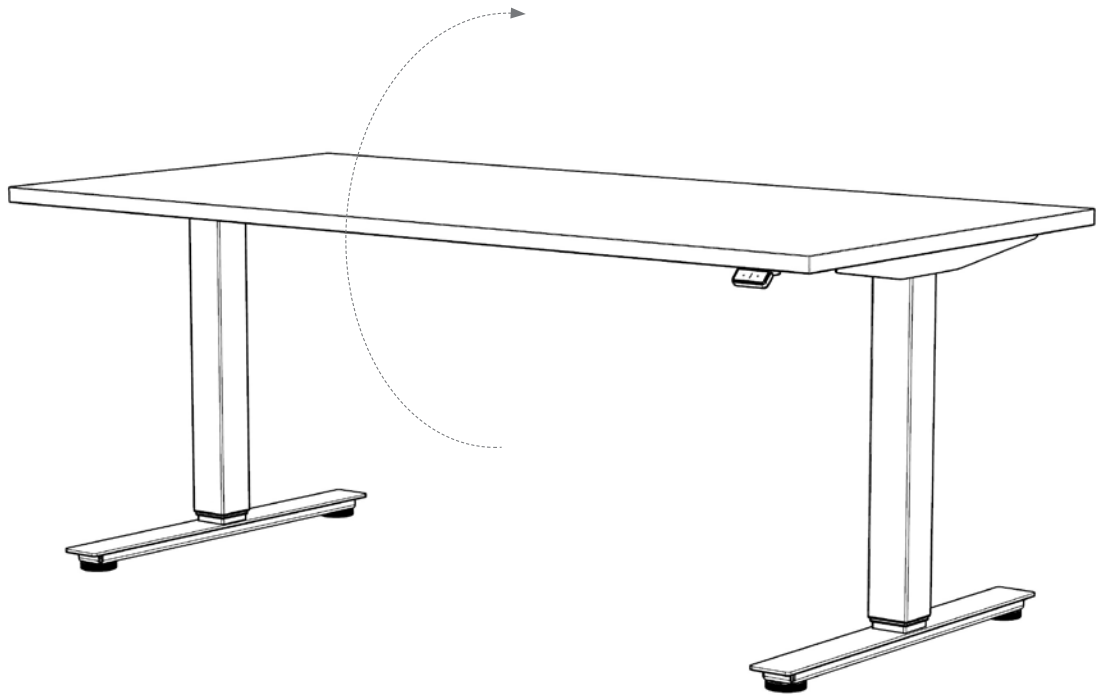
*1 Don't fasten fully
*2 Move to find 2nd plastic part

13.

 x2  x4  x8



14.

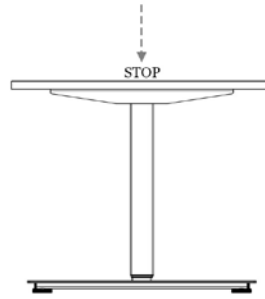


15.

Perform END POSITION RESET



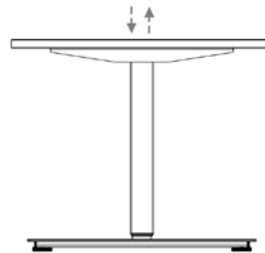
Press and hold DOWN key until table stops at lower position limit



Release DOWN key



Press and hold DOWN key
Table moves down slightly, then up again



Release DOWN key