



White



Black



Silver

# OPTIMUS Program Bench application

**More Options. More OPTIMUS.**

## DESCRIPTION

**Think bigger.** Powered by efficient DC Control Box technology (DCD) or premium DYNAMIC MOTION system (DMD), the OPTIMUS Bench Frame offers a strong, clean, and safe solution for larger desks. Plug and play modularity allows you to choose from Rectangle and Square columns in different colors and your perfect handset. Enjoy the benefits of the OPTIMUS Program as standard!

## FEATURES

- Unique & clean sheet metal design
- Overall modularity
- Optimized cable management
- Simple & fast set up
- Plug & Play technology
- Individual parameter settings (e.g. speed)
- Made in EU

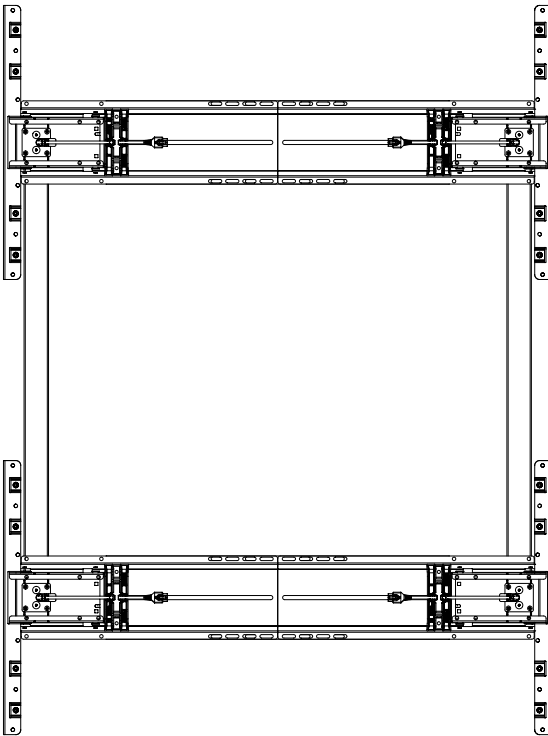
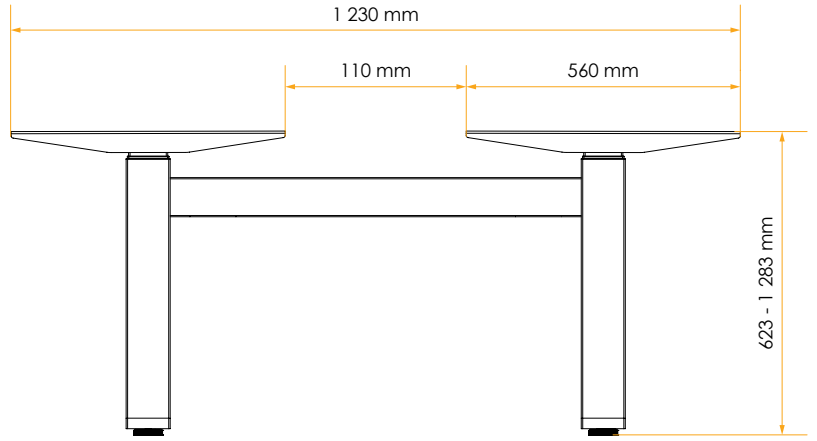
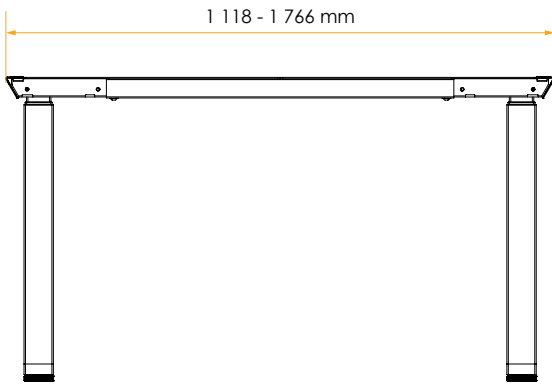
### Contact Headquarters

LOGICDATA Electronic & Software Entwicklungs GmbH  
Wirtschaftspark 18, 8530 Deutschlandsberg, [office.at@logicdata.net](mailto:office.at@logicdata.net)

### North America

LOGICDATA North America Inc., 13617 Woodlawn Hills Dr.,  
Cedar Springs, MI 49319, USA, [office.na@logicdata.net](mailto:office.na@logicdata.net)





## TECHNICAL DATA

<b>Frame size</b>	1 118 mm - 1 766 mm
<b>Travel range (without tabletop)</b>	623 mm ( $\pm 5$ mm) - 1 283 mm ( $\pm 5$ mm)
<b>Stroke</b>	DCD 660 mm   DMD 662 mm
<b>Adjustment speed max</b>	up to 60 mm/sec (with reduced load)
<b>Lifting capacity (without tabletop)</b>	up to 120 kg equally loaded on each side of the bench
<b>Input rating</b>	230 V / 50 - 60 Hz / 4A (2 x 2 A)

<b>Duty cycle</b>	DCD 1 min. ON / 9 min. OFF DMD 2 min. ON / 18 min. OFF
<b>Weight (frame only)</b>	± 7,4 kg for each side of the bench
<b>Weight (complete system)</b>	48,7 kg
<b>Available colors</b>	Black (non-)structured / White (non-)structured / Silver (non-)structured
<b>Ambient conditions during transport and storage</b>	Temperature between -35°C and 80°C Temperature over 50°C only for periods not exceeding 72h Maximum relative humidity between 95% and 5% (lower allowed)
<b>Ambient conditions during operations</b>	Temperature between 5°C and 40°C Maximum relative humidity between 95% and 68% (lower allowed)
<b>Applied standards</b>	DGUV Grundsatz 315-410/09.2021   DIN EN 527-2/07.2019 DIN EN 527-1/08.2011   EK5/AK3 13-01:2018

**Order code**

Example OPTIMUS-S4-RE1-3S-DCR-EU-W01-LDS-00-01  
OPTIMUS-A0-BBo-CD-EEE-FF-G00-HHH-00-01

- Special specification
- Customer
- Color definition
- Market
- Actuator
- Column orientation
- Stages / Tubes
- Column shape
- Frame application
- Frame type