



OPTIMUS Program 2-leg Frame

Made to measure.

DESCRIPTION

The OPTIMUS Frame 2-leg can be powered with efficient DC-technology (DCD) or premium brushless DYNAMIC MOTION system (DMD). This offers state-of-the-art technology and ultimate modularity for OEMs. Plug and play technology, standard bulk packaging, or retail all-in-one box solutions, the OPTIMUS Program is ready to create legendary products. Choose from various LOGICleg designs and foot styles, in standard or custom colors and the perfect handset for you. Press the button and go OPTIMUS!

FEATURES

- Unique & clean sheet metal design
- Overall modularity
- Optimized cable management
- Easy to assemble
- Plug & Play technology
- Individual parameter settings (e.g. speed)
- Bulk & eCommerce ready packaging
- Made in EU

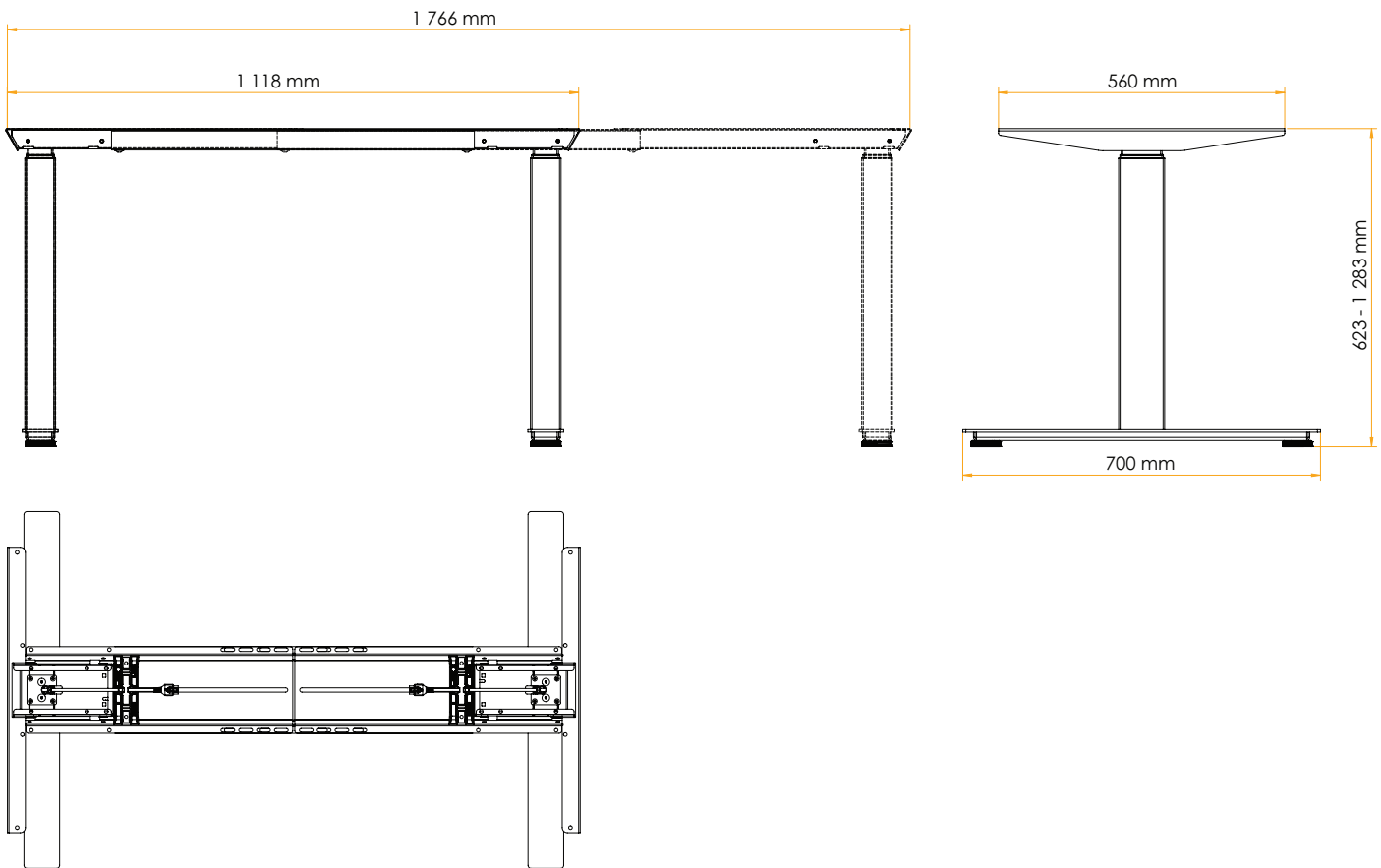
Contact Headquarters

LOGICDATA Electronic & Software Entwicklungs GmbH
Wirtschaftspark 18, 8530 Deutschlandsberg, office.at@logicdata.net

North America

LOGICDATA North America Inc., 13617 Woodlawn Hills Dr.,
Cedar Springs, MI 49319, USA, office.na@logicdata.net





TECHNICAL DATA

Frame size	1 118 mm - 1 766 mm
Travel range (without tabletop)	623 mm (± 5 mm) - 1 283 mm (± 5 mm)
Stroke	DCD 660 mm DMD 662 mm
Adjustment speed max	up to 60 mm/sec (with reduced load)
Lifting capacity (without tabletop)	up to 120 kg equally loaded
Input rating	230 V / 50 - 60 Hz / 2 A
Duty cycle	DCD 1 min. ON / 9 min. OFF DMD 2 min. ON / 18 min. OFF
Weight (frame only)	$\pm 7,4$ kg
Weight (complete system)	$\leq 28,5$ kg
Available colors	Black (non-)structured / White (non-)structured / Silver (non-)structured

Ambient conditions during transport and storage

Temperature between -35°C and 80°C
Temperature over 50°C only for periods not exceeding 72h
Maximum relative humidity between 95% and 5% (lower allowed)

Ambient conditions during operations

Temperature between 5°C and 40°C
Maximum relative humidity between 95% and 68% (lower allowed)

Certificates

Type approved safety / „Bauartgeprüft“



Applied standards

DGUV Grundsatz 315-410/09.2021 | DIN EN 527-2/07.2019
DIN EN 527-1/08.2011 | EK5/AK3 13-01:2018

Order code

Example OPTIMUS-S2-RE1-3S-DCR-EU-W01-LDS-00

OPTIMUS-Ao-BBo-CD-EEE-FF-Goo-HHH-00

