

# DMG-P1

**Combined strengths -  
motor and gearbox**

## DESCRIPTION

**Keep moving.** The DMG actuator provides quiet and smooth motion to any application. Featuring brushless motor technology, the DMG is precision-manufactured to ensure quietness and stability-as well as seamless installation into your application. Special requirements? Customize interfaces and performance to make every drive your own.

## FEATURES

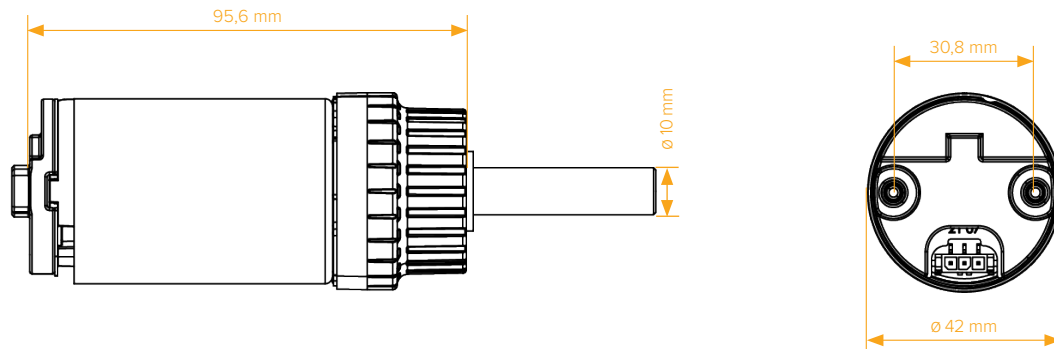
- Brushless PMSM Motor Technology
- Customizable Shaft
- Lightweight
- Ultra Quiet Gearbox because of Plastic Wheels
- Up to 0.9 Nm Torque

### Contact Headquarters

LOGICDATA Electronic & Software Entwicklungs GmbH  
Wirtschaftspark 18, 8530 Deutschlandsberg, [office@logicdata.net](mailto:office@logicdata.net)

### North America

LOGICDATA North America Inc., 13617 Woodlawn Hills Dr.,  
Cedar Springs, MI 49319, USA, [support.na@logicdata.net](mailto:support.na@logicdata.net)



# TECHNICAL DATA

<b>Input Rating</b>	28.5 V DC / 3.25A
<b>Dimensions (Dimensions)</b>	42 mm
<b>Dimensions (Length)</b>	95,6 mm (without shaft length)
<b>Rated Speed</b>	5 550 1/min (Motor)   ~ 760 1/min (Shaft)
<b>Gearbox Ratio</b>	1 : 7.33
<b>Output Torque at Rated Speed</b>	66.5 W S1: 0.84 Nm
<b>Weight</b>	320 g (depending on shaft diameter and length)
<b>Duty Cycle</b>	2 min. ON / 18 min. OFF
<b>Ambient Conditions During Operation</b>	+5 °C to +40 °C at max. 68% relative air humidity (non-condensing)
<b>Ambient Conditions During Transport and Storage</b>	-25 °C to +40 °C at max. 68% relative air humidity (non-condensing). +40 °C to +60 °C at max. 32% relative air humidity (non-condensing). Temperatures of more than 40 °C for periods not exceeding 10h. Product must be acclimatised to acceptable operating conditions before assembly. Contact LOGICDATA for exact specifications.
<b>Degree of Protection (IEC 60529)</b>	IP 20
<b>Standards and Regulations</b>	Complies with Machinery Directive 2006/42/EC Complies with RoHS 2011/65/EU
<b>Order Code</b>	DMG-P1-60-ALU-zz-01 DMG-P1 - 00 - FFF - 00 - 01

