



DRIVEunit

Motion: Wherever, Whenever.

DESCRIPTION

Adaptable. The DRIVEunit is a performance actuator that brings motion to any industry area: customized to your business. Compatible with LOGICDATA's DC or PMSM motor technology – and with a pivoted connector for linear or radial motion – it's the perfect basis for your adjustable future.

FEATURES

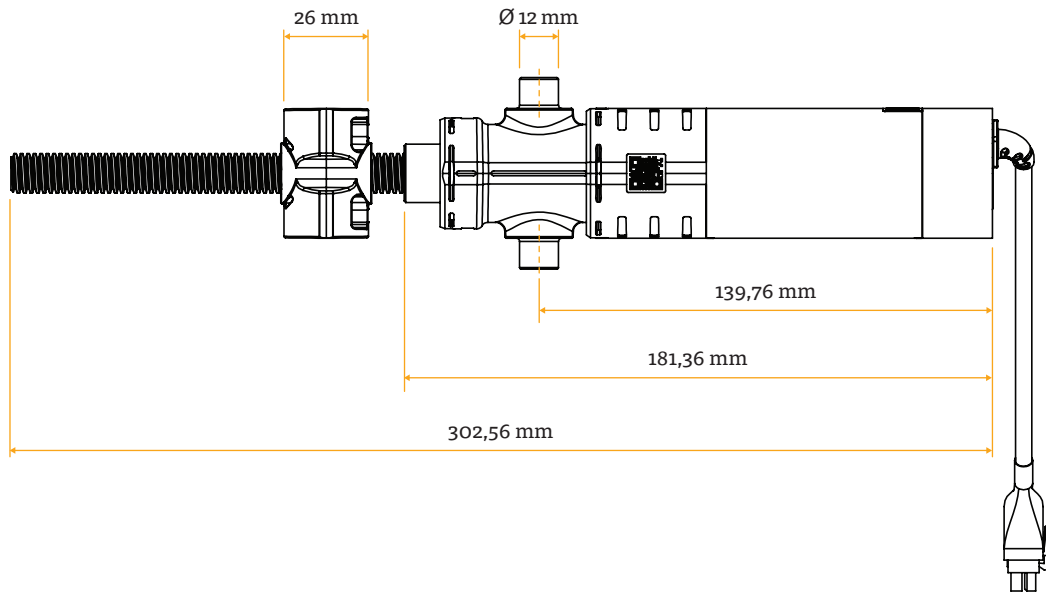
- DC or PMSM motor technology
- 40 mm motor diameter
- Customizable spindle length
- Optimized sound performance
- Compatibility with all LOGICDATA components
- Pivoted connecting point

Contact Headquarters

LOGICDATA Electronic & Software Entwicklungs GmbH
Wirtschaftspark 18, 8530 Deutschlandsberg, office.at@logicdata.net

North America

LOGICDATA North America Inc., 13617 Woodlawn Hills Dr.,
Cedar Springs, MI 49319, USA, office.na@logicdata.net



TECHNICAL DATA

Input rating	14-18 V DC 0,8 - 3,4 A (depending on load)
Static load	Up to 4,0 kN axial force
Lifting capacity	Up to 1 000 N (dynamic load: up to 3,2 kN axial force)
Motor speed	3 200 rpm
Ambient conditions during operation	+5 °C to +40 °C at max. 68% relative air humidity (non-condensing), up to an altitude of 2 000 m
Ambient conditions during transport and storage	-35 °C to +40 °C at max. 68% relative air humidity (non-condensing). +40 °C to +80 °C at max. 5% relative air humidity (non-condensing). Temperatures of more than +40 °C for periods not exceeding 10h. Product must be acclimatised to acceptable operating conditions before assembly
Installation length (b) (customizable)	Basic length 302,56 mm
Minimal usable stroke (customizable)	100 mm
Motor diameter	40 mm
Weight	830 g
Compliant regulations	EMC Directive 2014/30/EU RoHS Directive 2011/65/EU REACH Regulation 1907/2006/EC Dodd Frank Act Section 1502 Directive on Machinery 2006/42/EC
Degree of protection	IP00