



FLEXneo

The versatile 4Channel Control Box

DESCRIPTION

Flexible control. The LOGICDATA FLEXcontrol is a versatile 4-channel control box designed for a wide range of applications. It offers exceptional flexibility, supporting various motor and actuator types with options for Hall sensor integration, end switch handling, soft start/stop, and synchronization of different motor groups. Additionally, its cascading feature allows control of up to 8 motors. Easy parameterization is enabled through our intuitive LOGICDATA Configtool, ensuring seamless customization and adaptability for diverse requirements.

FEATURES

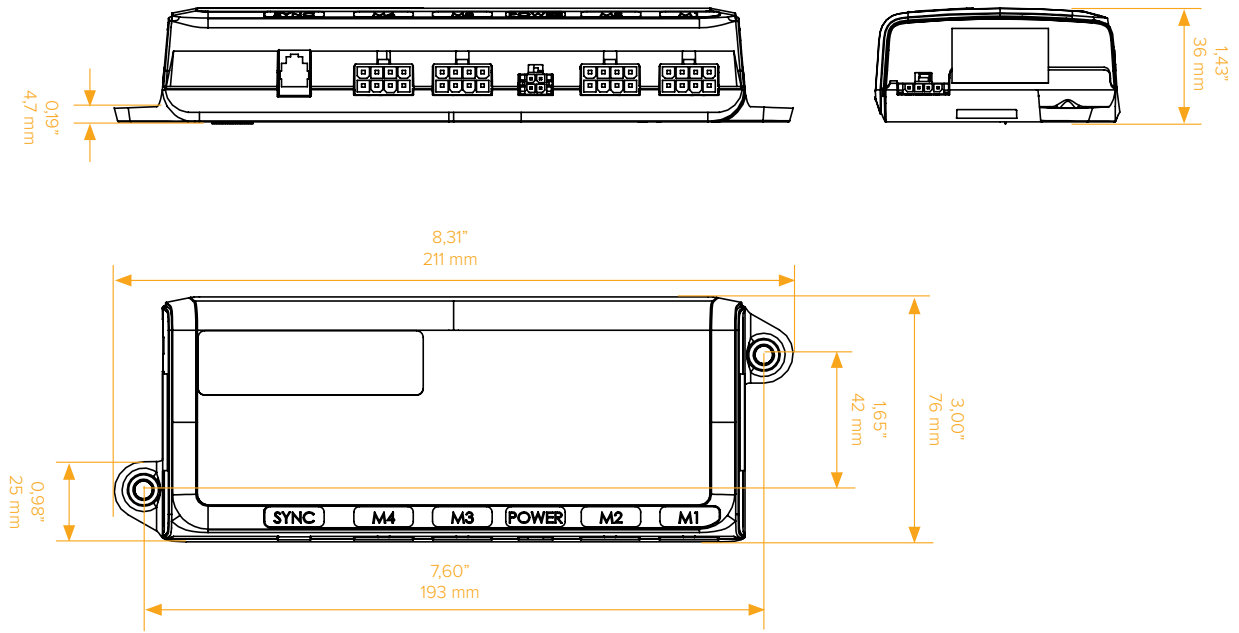
- Full Compatibility with LOGICDATA CONFIGtool
- End-Switch Compatibility (Mechanical)
- Hall Sensor Handling
- Soft Start/Stop
- Position Measurement with Hall Signals or End Position Switch
- Data Logging with Diagnosis System
- Overcurrent Protection
- Overtemperature Protection

Contact Headquarters

LOGICDATA Electronic & Software Entwicklungs GmbH
Wirtschaftspark 18, 8530 Deutschlandsberg, office@logicdata.net

North America

LOGICDATA North America Inc., 13617 Woodlawn Hills Dr.,
Cedar Springs, MI 49319, USA, support.na@logicdata.net



TECHNICAL DATA

Rated Input Current	10A
Rated Input Voltage	12 - 40V DC
Rated Output Current	Up to 6A per channel
Ambient Conditions During Operation	+5 °C to +40 °C at max. 68% relative air humidity (non-condensing), up to an altitude of 2 000 m
Ambient Conditions During Transport and Storage	-25 °C to +40 °C at max. 68% relative air humidity (non-condensing). +40 °C to 60 °C at max. 32% relative air humidity (non-condensing). Temperatures of more than 40 °C for periods not exceeding 10h. Product must be acclimatized to acceptable operating conditions before assembly. Contact LOGICDATA for exact specifications.
Standards and Regulations	RoHS 2011/65/EU REACH Regulation (EG) Nr. 1907/2006