

# SILVERstandard

The SILVER Series by LOGICDATA



OWNER'S MANUAL



[adjustables.logicdata.net](https://adjustables.logicdata.net)

## CONTENTS

01. SAFETY.....	03
02. INTRODUCTION.....	12
03. BOX CONTENTS.....	14
04. ASSEMBLY.....	16
05. DISASSEMBLY AND TRANSPORTATION.....	27
06. OPERATION.....	39
07. CLEANING AND MAINTENANCE.....	36
08. POSSIBLE MALFUNCTIONS AND SOLUTIONS.....	37
09. TECHNICAL DATA.....	39
10. FINAL DISPOSAL.....	39

## COPYRIGHT®

This original documentation is protected by copyright. All rights, especially the rights to translate or reproduce the document, are reserved. No part of this manual may be reproduced mechanically, electronically, or by other means, in any form, without prior written permission of LOGICDATA Electronic & Software Entwicklungs GmbH. Violations involving copyright may result in legal action.

2018 LOGICDATA Electronic & Software Entwicklungs GmbH

# SAFETY

01

## IMPORTANT SAFETY INSTRUCTIONS

This Owner's Manual was designed according to the UL 962 Standard for Household and Commercial Furnishing. It contains safety instructions. The user of the product is obligated to read the Owner's Manual. All individuals have a responsibility to observe the safety instructions.

Important notes about accident prevention can be found in this chapter.

### NOTICE

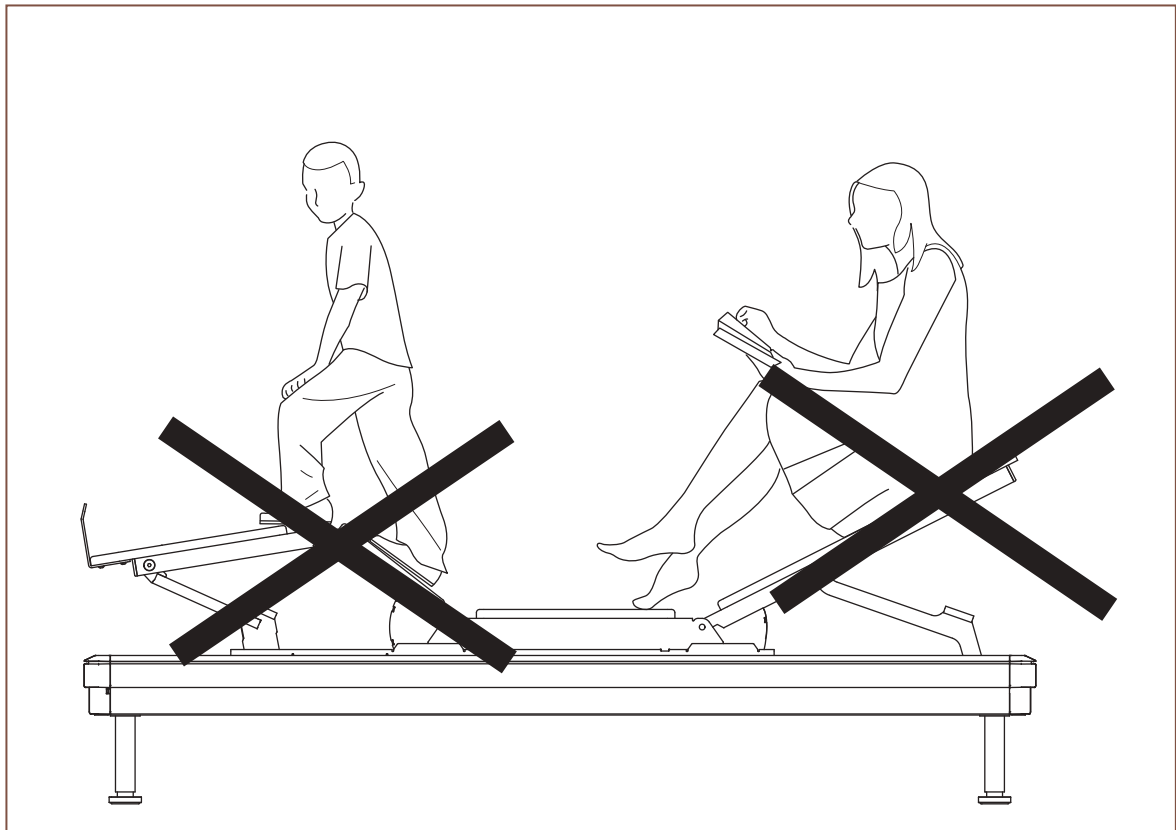
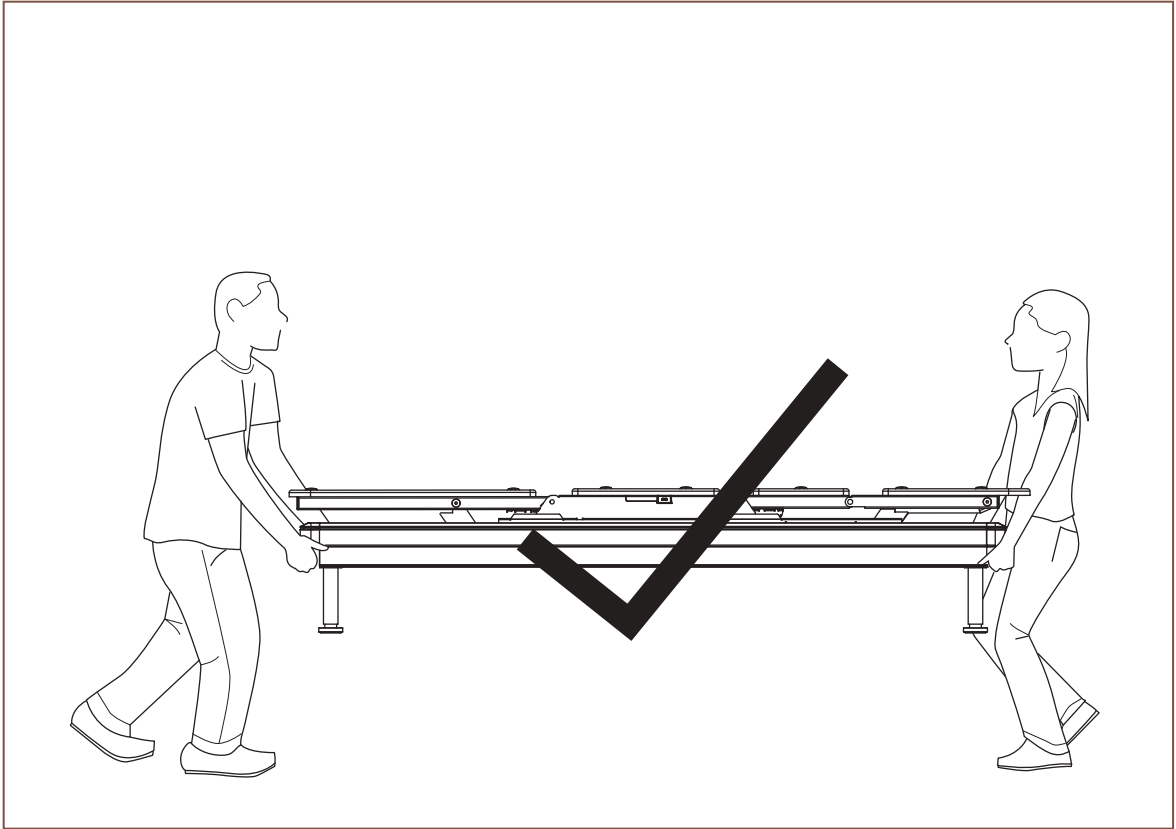
**This Class B digital apparatus complies with Canadian ICES-003.**

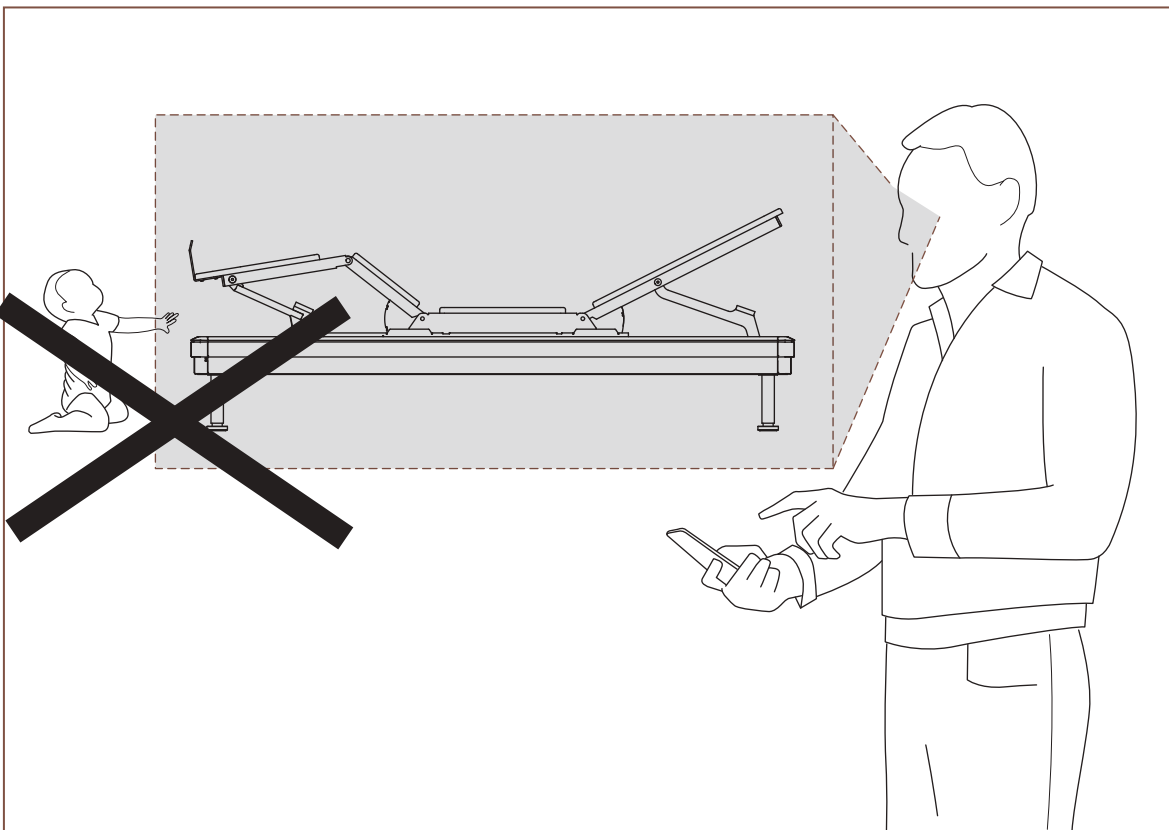
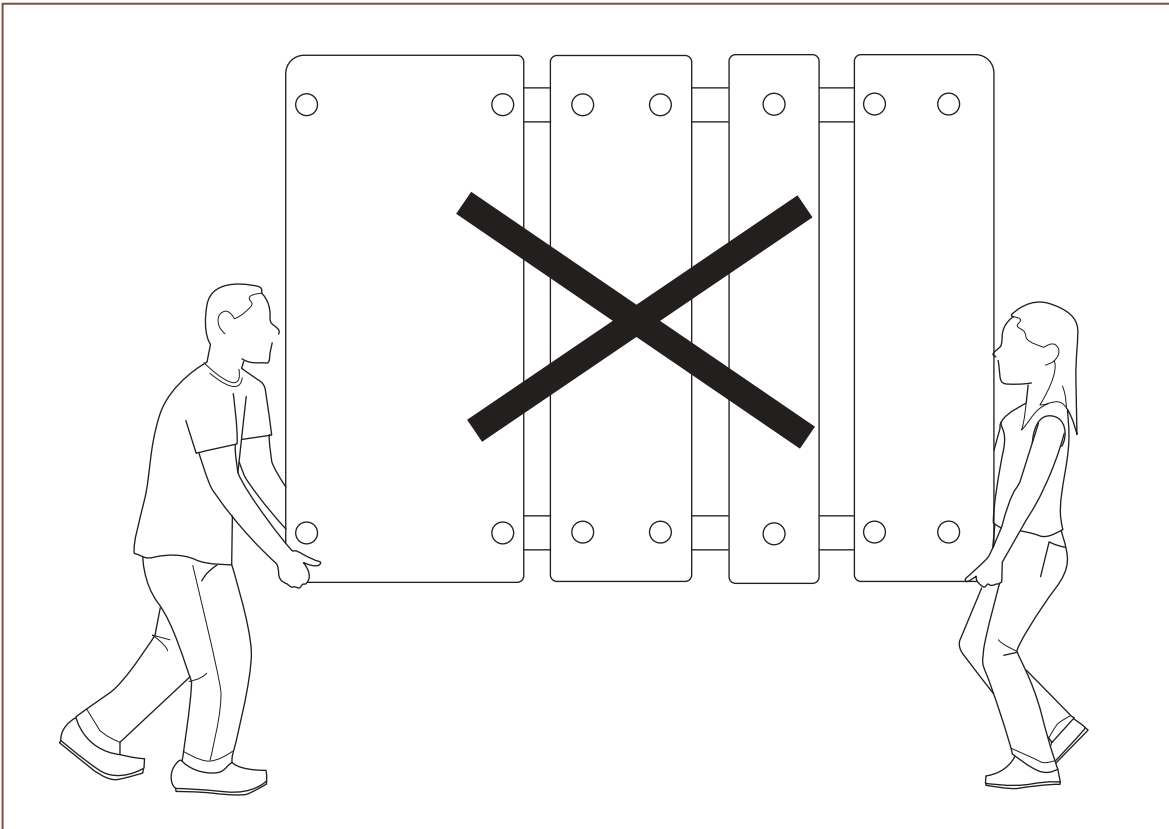
*Cet appareil numérique de la classe B est conforme à la norme NMB-003 du Canada.*

### GENERAL SAFETY INFORMATION

The following safety regulations and obligations are valid when handling the system:

- Do not operate the product unless it is in full working order
- Do not remove, change, bridge, or bypass any protection or safety features
- Do not convert or modify the LOGICDATA SILVERstandard without written approval from the supplier
- Do not use unauthorized spare parts for repair
- Only physically able adults are allowed to assemble the product
- All protection and safety features must be checked regularly by the user.
- Do not attempt to change or replace parts unless the product is in a de-energized state
- Ensure that no children or animals are in the proximity of the Bed Frame when operating it
- Ensure no persons or objects are in the Bed Frame's range of movement (e.g. a night stand or an open window)
- Do not sit directly on one individual Platform when operating the Bed Frame. Distribute your weight evenly





## INTENDED USE

The LOGICDATA SILVERstandard is an electrically controlled Bed Frame. It may be used solely for its intended use according to this documentation.

The LOGICDATA SILVERstandard is designed for indoor use and household use only. Outdoor use is forbidden. The Bed Frame is operated by a Remote Control. It features a USB Module on each side, which can be used to charge mobile devices such as smart phones or tablet PCs. The product features an Underbed Light, which can be used to illuminate the bed area. Certain models also have a Massage Function, which can be used to provide a Vibration Massage to the user. The Bed Frame is not suitable for use in potentially explosive atmospheres.

### HOSPITAL /MEDICAL DISCLAIMER:

The LOGICDATA SILVERstandard is not designed to comply with medical or hospital standards. It is therefore not suitable for domestic or commercial medical use.

- Do not use the Bed Frame near to tent type oxygen or therapy equipment
- Do not use the Bed Frame near to other potentially explosive gases

The LOGICDATA SILVERstandard may only be used with suitable mattresses. Suitable mattresses must comply with Federal Register 16 CFR Part 1633. Consult your mattress provider to ascertain if your mattress is compatible with electrically adjustable Bed Frames. The Bed Frame is not suitable for use without a mattress, or with water-based mattresses. This system may only be assembled and used by adults. It is not designed for children or animals.

The recommended maximum load on the Bed Frame is 700 lbs (including the mattress). Weight must be evenly distributed. No individual Platform is designed to support or lift this weight. For optimal performance, consumers should get in and out of bed only when the Bed Frame is in a flat (horizontal) position. Do not place your entire weight on the head or foot section, especially when the Bed Frame is in an elevated position. Do not stand on the Bed Frame or Platforms at any time. Exceeding the recommended maximum load could damage the product and void the warranty.

Usage outside of the intended use described in this Owner's Manual is only allowed after written consent by LOGICDATA. Improper operation or usage outside of the intended use can result in personal injury and damage to the system. Liability and warranty claims are void in cases of usage outside of the intended use.

## REASONABLY FORESEEABLE MISUSE

For your own safety and that of others, the following instructions to avoid reasonably foreseeable misuse with the LOGICDATA SILVERstandard apply:

- Do not use the Bed Frame as a climbing aid
- Do not jump on the Bed Frame

- Do not let children or animals climb on or under the Bed Frame
- Do not use the Bed Frame without a mattress
- Do not overload the Bed Frame (max. load is 700 lbs evenly distributed)
- Do not operate the Bed Frame continuously

## NOTICE

The Bed Frame is not designed for continuous operation. If the motors are overworked, the Bed Frame will time-out automatically for several minutes. During this time, you will not be able to operate the Bed Frame. Continued excessive use of the Bed Frame can damage the product.

- Do not operate the Bed Frame continuously
- If the time-out is reached, do not operate the Bed Frame for at least 6 minutes. This will re-set the time-out

## TARGET AUDIENCE AND PREVIOUS KNOWLEDGE

This manual is addressed to adults who are responsible for assembling the Bed Frame. The following is assumed of the target audience:

- The reader has (at least) basic technical knowledge
- The reader is physically able to lift the components
- The reader has fully read and understood this Owner's Manual

## EXPLANATION OF SYMBOLS AND SIGNAL WORDS

### DANGER

The signal word DANGER indicates a hazardous situation which, if not avoided, will result in death or serious injury.

### WARNING

The signal word WARNING indicates a hazardous situation which, if not avoided, could result in death or serious injury.

### CAUTION

The signal word CAUTION indicates a hazardous situation which, if not avoided, could result in minor or moderate injury.

### NOTICE

The signal word NOTICE indicates a situation that will not lead to personal injury, but could lead to damage to the product or the environment.

## RESIDUAL RISKS

Residual risks are the risks that remain after all relevant safety standards have been complied with. These have been evaluated through a thorough risk assessment. Read all instructions before operating the Bed Frame.

### **⚠ WARNING**

#### **Moderate risk of death or serious injury through electric shocks**

Leaving the Bed Frame plugged in while cleaning it with damp materials, or allowing Cables or Components to become otherwise immersed in liquid may lead to death or serious injury through electric shocks.

- Always unplug the Bed Frame from the mains before cleaning
  - Do not immerse any Cables or Components in liquid
- 

### **⚠ WARNING**

#### **Moderate risk of death or serious injury through burns, electric shocks, and other hazards**

The LOGICDATA SILVERstandard is an electrical device. Failure to observe basic safety precautions related to electrical devices may lead to death or serious injury through burns, electric shocks, and other hazards.

- Unplug the Bed Frame from the mains before mounting or demounting parts
  - Ensure that children and disabled persons are supervised when they are near to the Bed Frame
  - Operate the Bed Frame only as described in the section “Intended use” on page 6
  - Only use accessory parts that are authorized by the manufacturer
  - Never operate the Bed Frame if its Cables or plugs are damaged, or if it displays obvious defects
  - Consult LOGICDATA for further instructions if the Bed Frame is damaged in any way, in accordance with the product’s Limited Warranty
  - Keep all Cables away from heated surfaces
  - Do not insert obstructions into openings in the Bed Frame
  - Do not use the Bed Frame outdoors
  - Do not operate the Bed Frame in environments where aerosol (spray) products are being used or where oxygen is being administered
  - To disconnect the Bed Frame, remove the plug from the outlet
  - Keep children away from the Foot Platform (when extended) and other similar parts
  - Ensure the Bed Frame is connected to a properly grounded outlet. See the section “Grounding Instructions” on page 11
-



**⚠ WARNING****Moderate risk of death or serious injury in explosive atmospheres**

Operating the LOGICDATA SILVERstandard in potentially explosive atmospheres may lead to death or serious injury through explosions.

- Read the relevant directives to determine whether an atmosphere is potentially explosive
  - Do not operate the LOGICDATA SILVERstandard in potentially explosive atmospheres
- 

**⚠ WARNING****Moderate risk of death or serious injury through crushing**

Crawling, laying, or reaching underneath the Bed Frame may lead to death or serious injury through crushing.

- Do not crawl, lay, or reach underneath the Bed Frame
- 

**⚠ WARNING****Moderate risk of death or serious injury**

Opening electrical components, or attempting improper conversions or modifications to electrical or mechanical components on the LOGICDATA SILVERstandard may lead to death or serious injury.

- Do not convert or modify the LOGICDATA SILVERstandard
  - Never open electrical components
- 

**⚠ WARNING****Moderate risk of death or serious injury**

The LOGICDATA SILVERstandard can withstand a maximum load of 700 lbs (evenly distributed, including the mattress). Overloading the Bed Frame, or applying too much weight to an individual Platform, may lead to death or serious injury.

- Do not overload the Bed Frame under any circumstances
  - Do not apply the maximum load to the Foot or Head Platforms
  - Do not sit on the mattress while the Bed Frame is in motion. Distribute your weight evenly
- 

**⚠ WARNING****Moderate risk of death or serious injury through crushing**

When the Bed Frame moves to a new position, it is possible that persons will be crushed between the Bed Frame and foreign objects. This may lead to death or serious injury.

- Ensure that no foreign objects (windows, nightstands, etc.) can block the Bed Frame's range of movement.
-

## **⚠ WARNING**

### **Moderate risk of death or serious injury through electric shocks**

Leaving the Bed Frame plugged in while mounting or demounting components may lead to death or serious injury through electric shocks.

- Always unplug the Bed Frame from the mains before mounting or demounting components
- 

## **⚠ WARNING**

### **Moderate risk of death or serious injury to children**

Operating the Bed Frame when children are close by may lead to death or serious injury to children.

- Activate the Child Lock when children are present
  - Keep children away from moving parts
  - Do not allow children to play with the Bed Frame
- 

## **⚠ WARNING**

### **Moderate risk of death or serious injury through electric shocks**

Plugging the Bed Frame into a non-grounded power outlet may lead to death or serious injury through electric shocks.

- Ensure the Bed Frame is connected to a properly grounded outlet. See Chapter “Grounding Instructions” on page 11
- 

## **⚠ CAUTION**

### **Risk of minor or moderate injury through crushing**

Incorrectly lifting or moving the Bed Frame may lead to minor or moderate injury through crushing.

- Keep the Bed Frame level while lifting or moving it
  - Do not attempt to lift or move the Bed Frame alone
  - Do not touch moving parts when lifting or moving the Bed Frame
  - Do not lift the Bed Frame by the its moving parts. Only grip the fixed part of the Side Rails.
- 

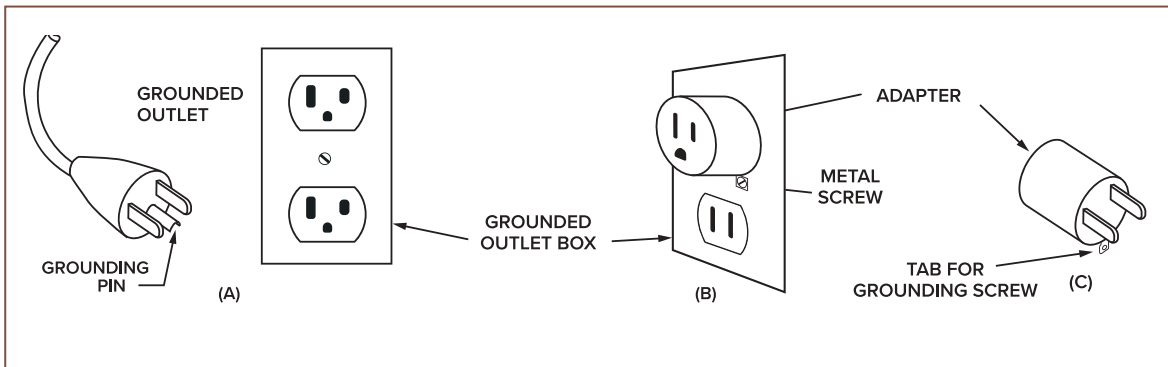
**SAVE THESE INSTRUCTIONS FOR FUTURE REFERENCE**

## ELECTRICAL GROUNDING

### GROUNDING INSTRUCTIONS

The LOGICDATA SILVERstandard is intended for use on a nominal 120-volt circuit (standard U.S. household wiring design). The Bed Frame is connected to the mains using a grounding plug (sketch A). The grounding plug fits a standard 3-prong grounded power outlet.

If the outlet that you wish to connect the Bed Frame to is a 2-prong outlet, you must use a temporary adapter in order to plug the Bed Frame in. This is shown in sketch B and C. The temporary adapter must be used only until a properly grounded outlet (sketch A) can be installed by a qualified electrician. The adapter must be connected to a permanent ground (e.g. the cover of a properly grounded outlet). To connect the adapter to ground, screw the adapter into the outlet using a metal screw. There is a plastic tab attached to the adapter to help you do this (sketch C).



Servicing a double-insulated product requires extreme care and knowledge of electrical systems. Therefore, this work may only be performed by qualified service personnel. Replacement parts for double-insulated products must be identical to the parts they replace. Double-insulated products are marked with the words “DOUBLE INSULATION” or “DOUBLE INSULATED”. The double-insulated symbol (a square within a square) may also be on the product.

#### FCC statement

The wireless working frequency for this product is 2.4 GHz

#### FCC Compliance

The LOGICDATA SILVERstandard complies with FCC CFR 47 Part 15 Subpart B/C. Operation is subject to the following conditions:

1. The product may not cause harmful interference
2. The product must accept any interference received, including interference that may cause undesired operation

To comply with the FCC RF exposure compliance requirements, you are not permitted to make any changes to the product or the antenna. Changes to the antenna or the product could result in the product exceeding the RF exposure requirements. This may void your authority to use the product.

# 02 INTRODUCTION

## PREFACE

Dear Customer,

Thank you for choosing a product from LOGICDATA.

With the LOGICDATA SILVERstandard, you can be sure that every effort has been made to ensure your comfort and safety. The Bed Frame has been rigorously tested and complies with all relevant safety standards and their requirements.

However, incorrect installation of the product, or usage outside of the intended use described in this Owner's Manual may lead to hazardous situations. In Chapter 1, "Safety", and throughout this Owner's Manual, potential risks, their consequences, and steps to avoid harm are explained. These are clearly labelled as "DANGER", "WARNING", or "CAUTION", depending on their severity. Read the section "Explanation of symbols and signal words" on page 7 for more details.

This Owner's Manual is intended to enable persons to assemble and operate the Bed Frame safely.

Observing the safety instructions in this Owner's Manual will help you to avoid hazards and minimize damage to the system. All persons involved in the assembly of the system must have the full product documentation available to them at all times. Product documentation consists of this Owner's Manual and any other relevant documents supplied by the manufacturer. Documentation must always be kept complete and legible.

LOGICDATA Electronic & Software Entwicklungs GmbH assumes no liability for technical or printing errors, for deficiencies in this documentation, or for damages caused directly or indirectly by the delivery, performance, or usage of this documentation.

## CONTACT INFORMATION

LOGICDATA Electronic & Software Entwicklungs GmbH  
Wirtschaftspark 18  
8530 Deutschlandsberg  
Austria

LOGICDATA North America Inc.  
1525 Gezon Parkway SW, Suite C  
Grand Rapids, MI 49509  
USA

## LIABILITY

The descriptions of product characteristics in this Owner's Manual are not a guarantee of the presence of these characteristics.

LOGICDATA is not liable for damage or injury caused by:

- Improper product use
- Disregard of the documentation
- Unauthorized product alterations
- Improper work on and with the LOGICDATA SILVERstandard
- Operation of damaged products
- Improperly performed repairs
- Unauthorized changes to the operating parameters
- Disasters, external influence, and force majeure

## TECHNICAL PROBLEMS?

### NOTICE

If you are experiencing technical problems, please contact our support team:

Phone: **800-305-1925**

E-Mail: [support.us@logicdata.net](mailto:support.us@logicdata.net)

Always mention the product name and revision status when requesting support.

---

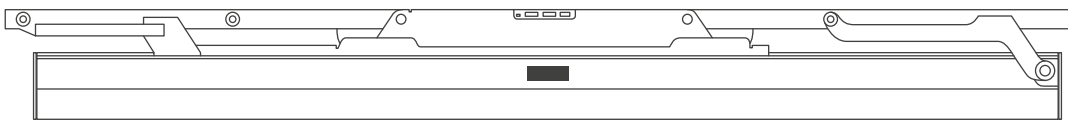


Watch the assembly video at  
[adjustables.logicdata.net](http://adjustables.logicdata.net)

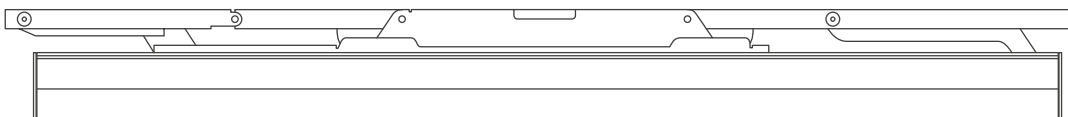
# 03 BOX CONTENTS

The LOGICDATA SILVERstandard is delivered in two boxes. The boxes contain all the parts and tools necessary to fully assemble and operate the system. Upon opening the packaging, use this checklist to ensure all the parts are included and in perfect condition. If you notice that any part is damaged or missing, contact LOGICDATA. You can find the relevant contact details in Chapter 2, "Introduction". Ensure that the boxes are stored horizontally in a dry place at room temperature.

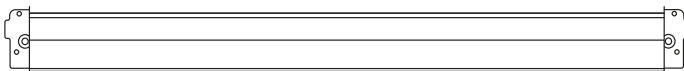
**A** SIDE RAIL (LEFT)



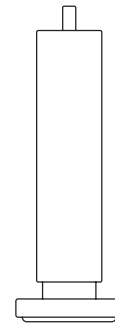
**B** SIDE RAIL (RIGHT)



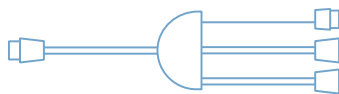
**C** 2x CROSSBAR



**D** 4x LEG



**G** MESSAGE ADAPTER CABLE \*



**H** 2X USB MODULE



**I** SIDE-TO-SIDE CABLE



(Side-to-Side Cable may also be a flat cable)

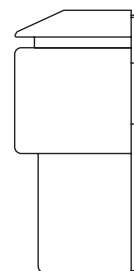
**J** POWER CONVERTER



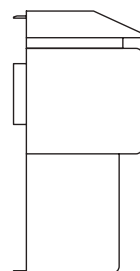
**K** POWER CABLE



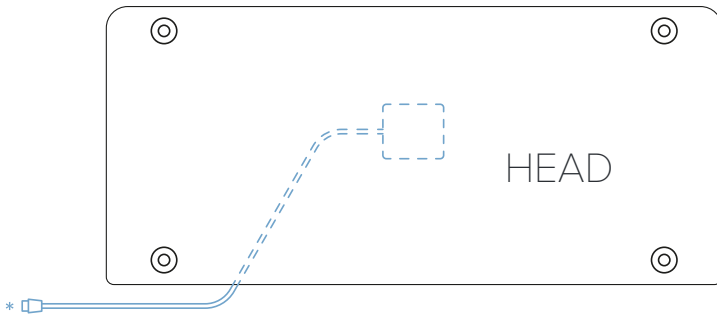
**E** 2x CORNER CONNECTOR COVER (TYPE A)



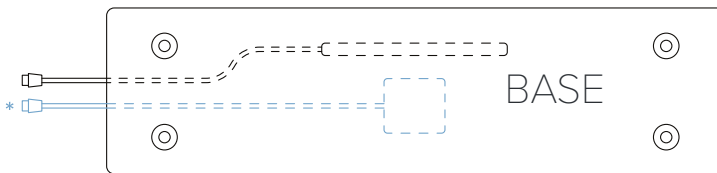
**F** 2x CORNER CONNECTOR COVER (TYPE B)



**L** HEAD PLATFORM



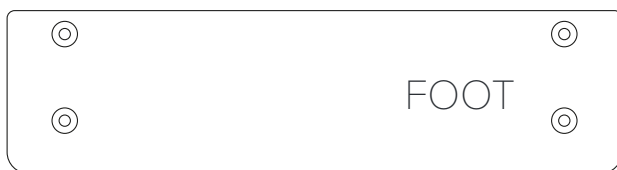
**M** BASE PLATFORM



**N** LEG PLATFORM



**O** FOOT PLATFORM

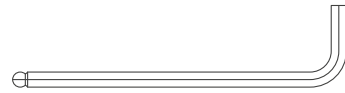


**P** 14X MOUNTING SCREW (PLATFORMS)

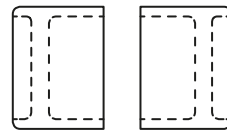


\*Only with SILVERstandard+

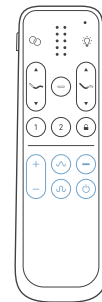
**ASSEMBLY TOOL**



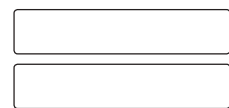
**ASSEMBLY SUPPORTS**



**REMOTE CONTROL**



**2x AAA BATTERIES**



**QUICK START GUIDE**

**OWNER'S MANUAL**



# 04 ASSEMBLY

## TOOLS AND EQUIPMENT

The LOGICDATA SILVERstandard should be assembled by two adults. If you assemble the Bed Frame alone, be careful when lifting heavy parts. No extra tools are needed. Ensure the assembly area is larger than the Bed Frame. Follow the steps carefully to assemble the Bed Frame correctly.

## UNPACKAGING

Lay both boxes flat on the ground, ensuring they are the right way up (see notices on the packaging). Carefully open both boxes and check their contents, as described in Chapter 3, “Box Contents”.

### NOTICE

Do not use a knife or a sharp object to unpackage the Bed Frame. This may damage the product.

### NOTICE

Ensure all parts are at room temperature. Parts that are too cold or hot may cause problems during assembly.

### CAUTION

#### **Risk of minor or moderate injury through cutting**

Contact with sharp edges may lead to minor or moderate injury through cutting.

- Avoid contact with sharp edges

### CAUTION

#### **Risk of minor or moderate injury through crushing**

Gripping the Side Rails by their moving parts when lifting or moving the Bed Frame may lead to minor or moderate injury through crushing.

- Do not touch moving parts when lifting or moving the Bed Frame
- Only grip the fixed part of the Bed Frame

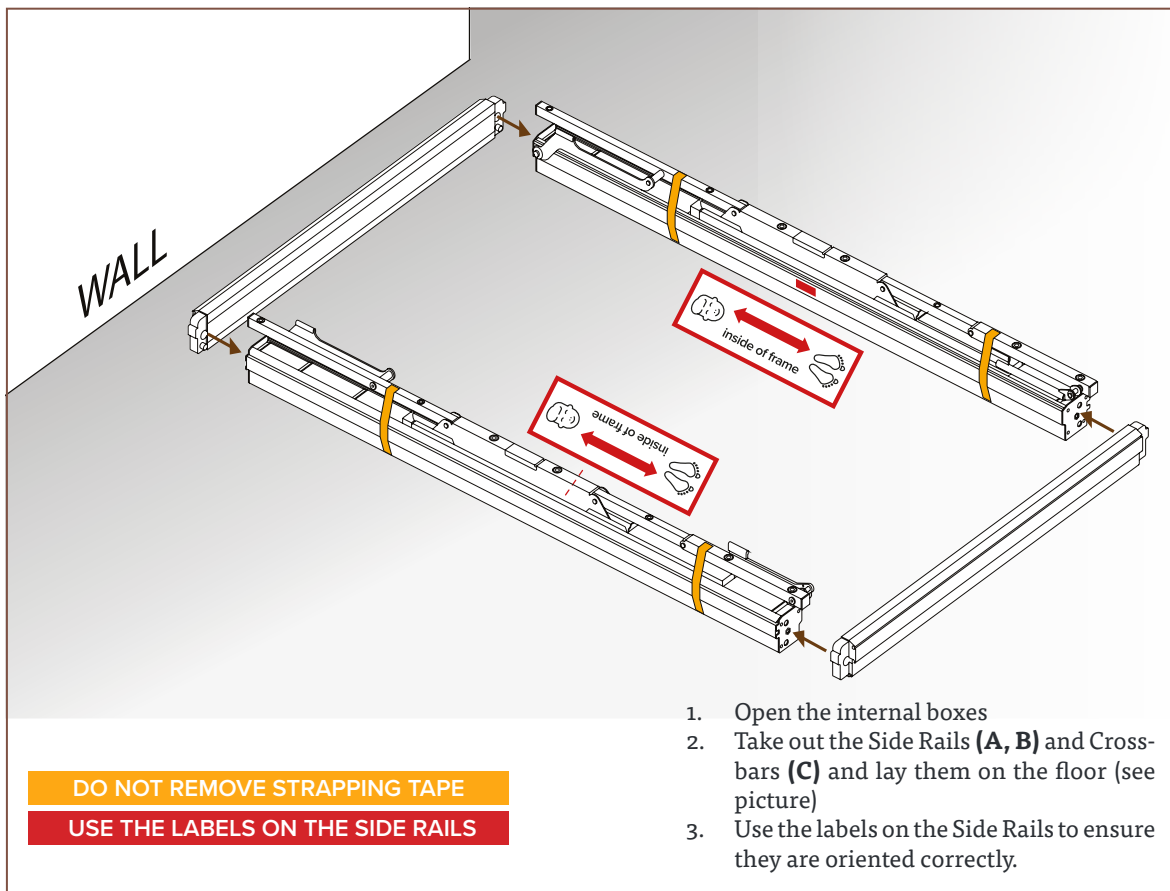
### WARNING

#### **Moderate risk of death or serious injury to children and animals**

The plastic packaging of the Bed Frame is a potential suffocation hazard. Leaving children or animals unsupervised with the empty packaging may lead to death through suffocation.

- Do not leave children or animals unsupervised
- Dispose of unnecessary packaging immediately. Do not dispose of the Assembly Supports





## NOTICE

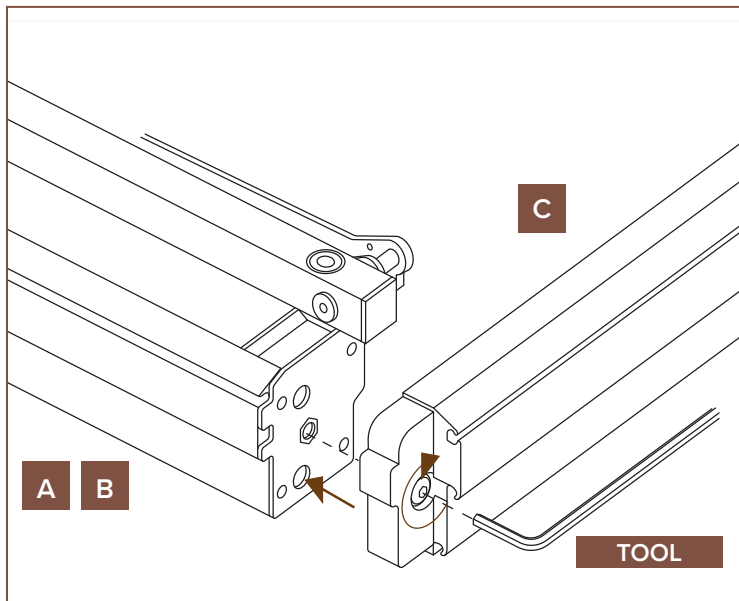
Placing the parts directly onto a hard floor may cause damage to the floor or the parts themselves.

- Use the cardboard packaging material to cushion the impact and avoid damage.

## NOTICE

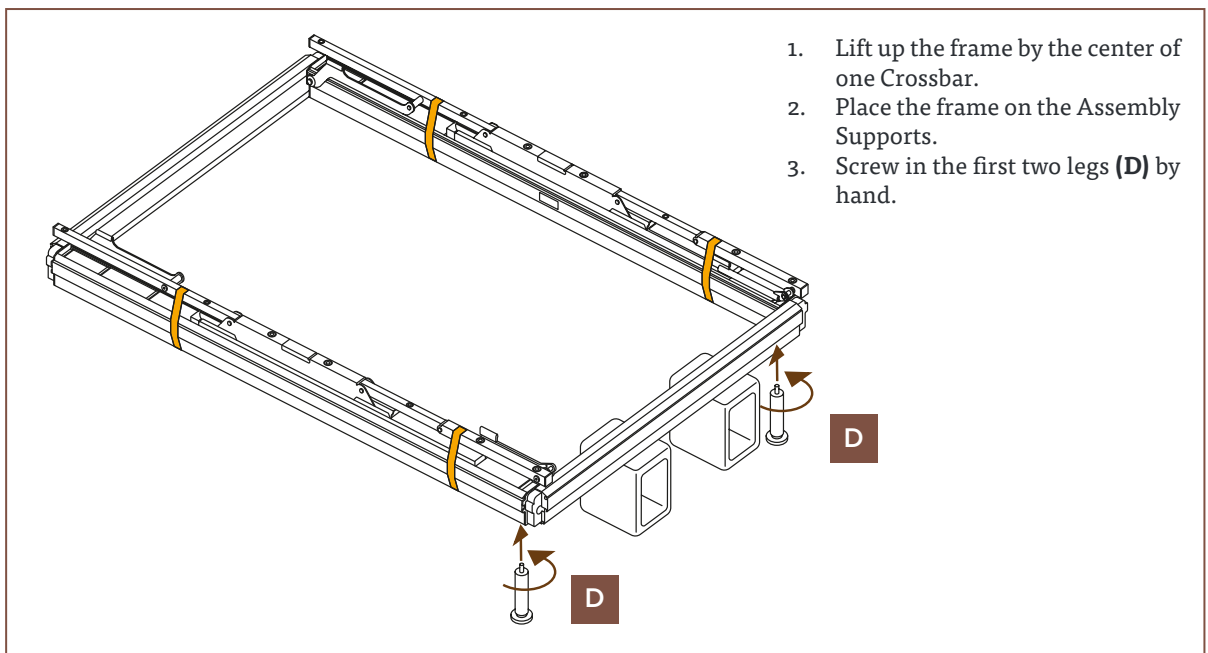
Be careful not to throw away the Assembly Supports while disposing of the packaging. Consult the “Box Contents” diagram on page 14 to determine which parts are necessary.

## CONNECTING THE BARS



1. Move the Crossbars (**C**) and the Side Rails (**A, B**) together
2. Ensure that the protruding parts on the Crossbar side of the Corner Connector are placed into the holes on the Side Rail sides.
3. Insert the Assembly Tool (**TOOL**) and turn the Mounting Screw **clockwise**.
4. Continue turning until the Mounting Screw is hand-tight.
5. Repeat the entire process for each Corner Connector.

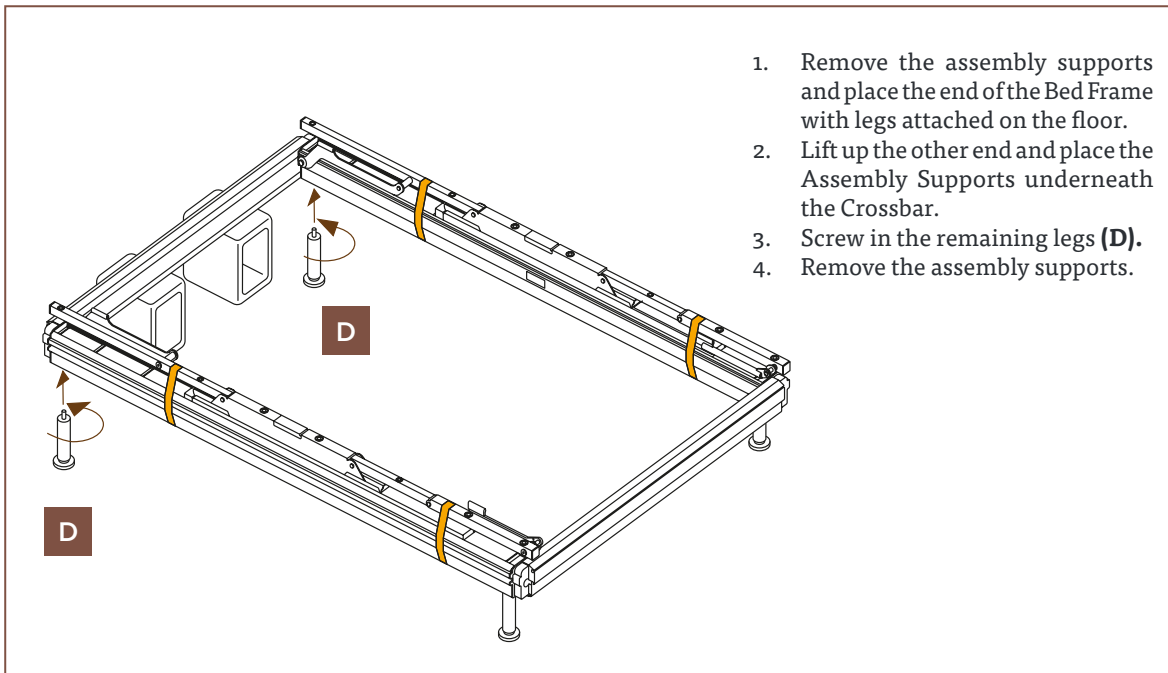
## ATTACHING THE LEGS



1. Lift up the frame by the center of one Crossbar.
2. Place the frame on the Assembly Supports.
3. Screw in the first two legs (**D**) by hand.

### NOTICE

Ensure that the Assembly Supports are placed correctly. The long sides should be vertical and the hollow sides should face outwards. Do not place the Crossbar directly onto the hollow parts.



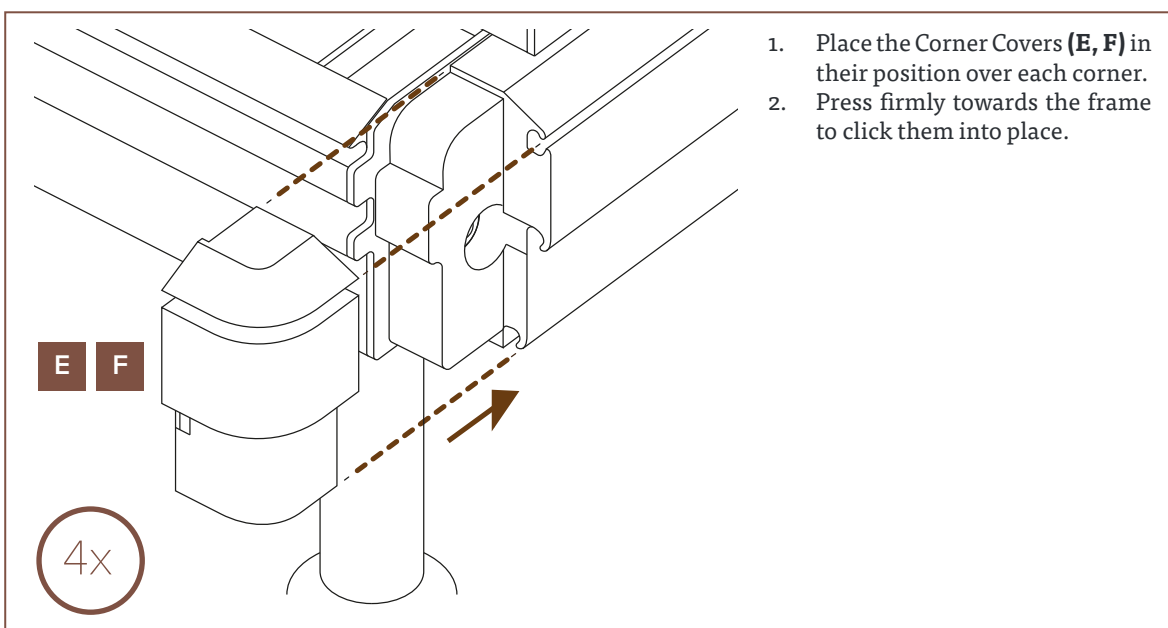
## ⚠ CAUTION

### Risk of minor or moderate injury

Lifting the Bed Frame incorrectly could cause you to lose balance or drop the Bed Frame. This may lead to minor or moderate injury.

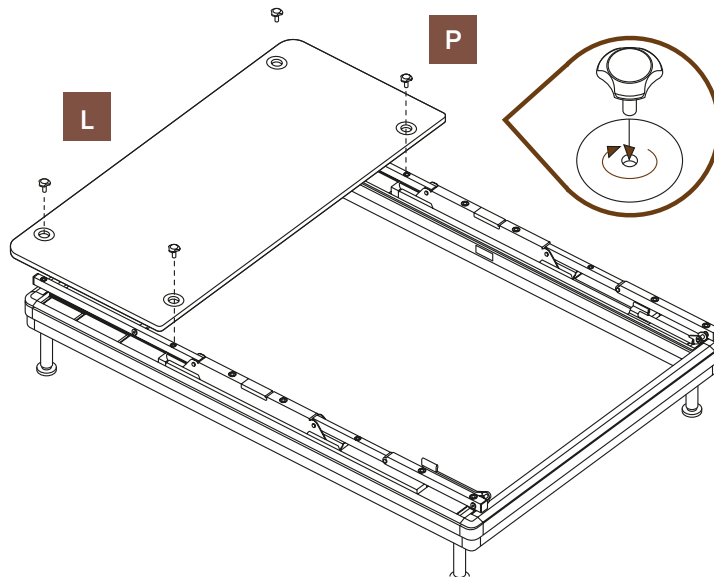
- Lift the Bed Frame by gripping the center of the Crossbar
- Do not lift the Bed Frame higher than required to place the Supports under the Crossbar

## MOUNTING THE CORNER COVERS



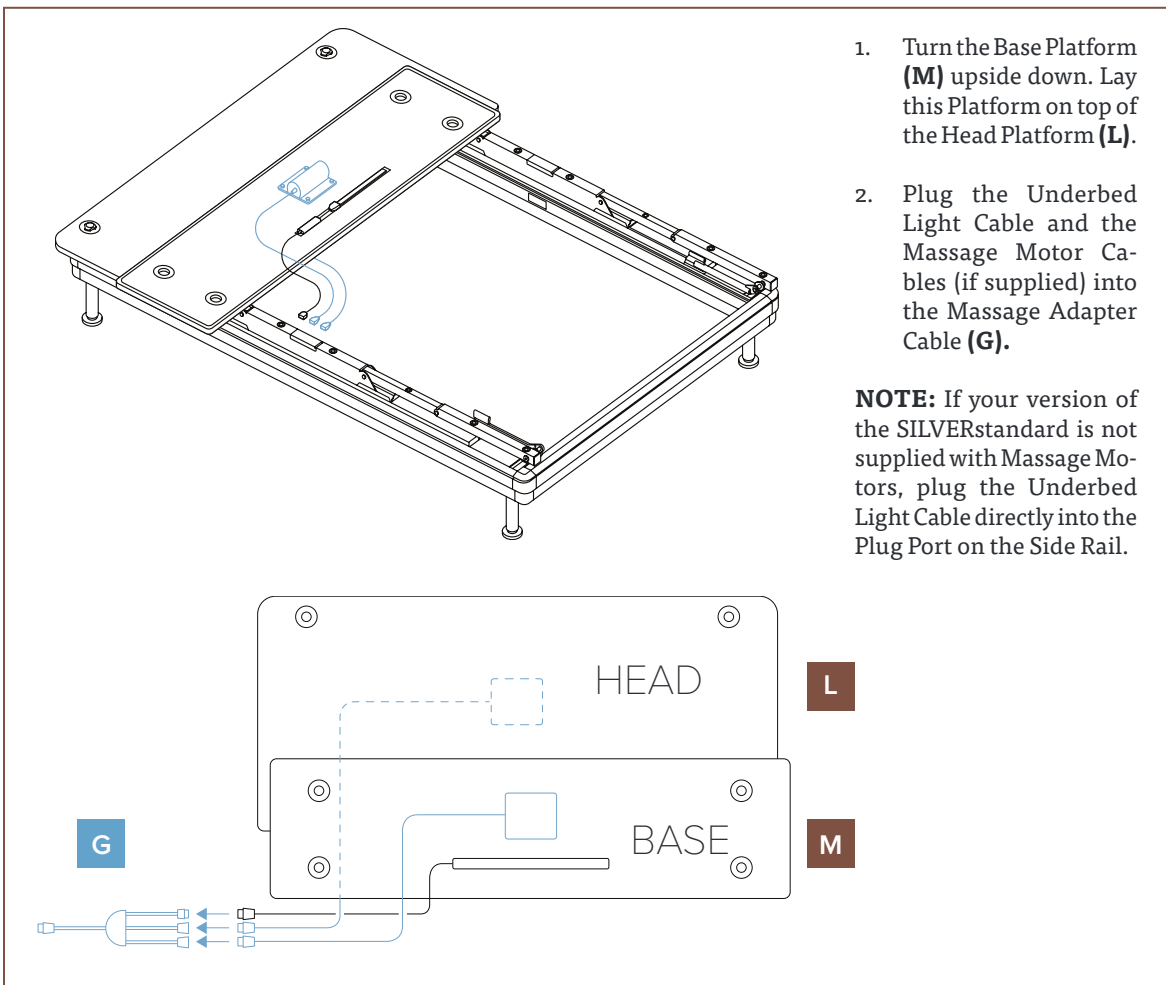
## MOUNTING THE HEAD PLATFORM

REMOVE ALL STRAPPING TAPE BEFORE MOUNTING THE PLATFORMS



1. Lay the Head Platform (**L**) across the frame so that its holes are aligned with the holes on the Side Rails (**A, B**).
2. Insert and tighten the Mounting Screws (**P**) to fix the Head Platform (**L**) by hand. Turn each Screw until it is hand-tight.

## PREPARING THE BASE PLATFORM



1. Turn the Base Platform (**M**) upside down. Lay this Platform on top of the Head Platform (**L**).
2. Plug the Underbed Light Cable and the Massage Motor Cables (if supplied) into the Massage Adapter Cable (**G**).

**NOTE:** If your version of the SILVERstandard is not supplied with Massage Motors, plug the Underbed Light Cable directly into the Plug Port on the Side Rail.

## CONNECTING THE CABLES

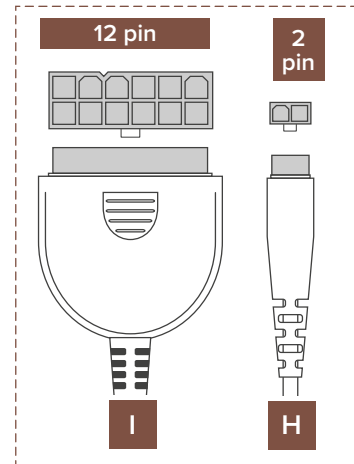
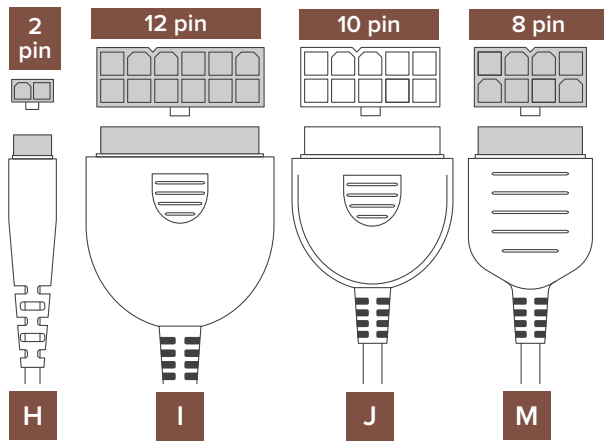
### NOTICE

If you have been supplied with a spiral Side-to-Side Cable (**I**), ensure it is stretched to the appropriate length before connecting to avoid excessive tension on the Connectors.

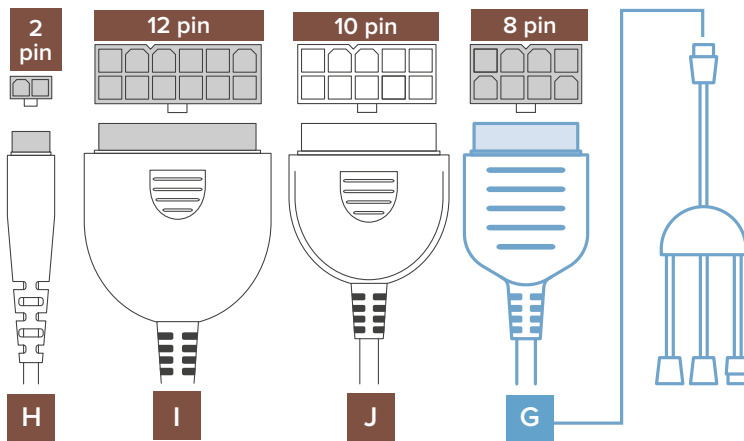
### NOTICE

Ensure that the Power Converter Cable is connected to the white, 10-Pin Plug Port on the Side Rail. Connecting the Power Cable to a different Plug Port may cause irreparable damage to the system.

SILVERstandard

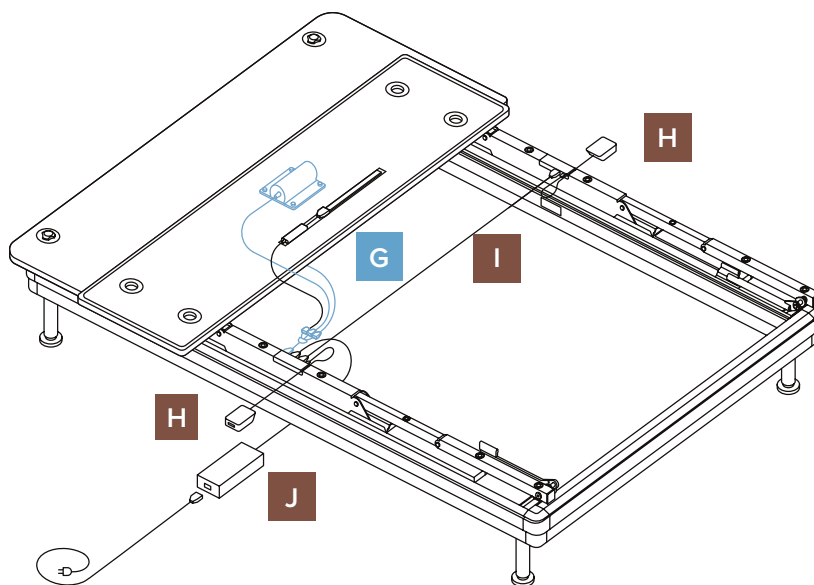


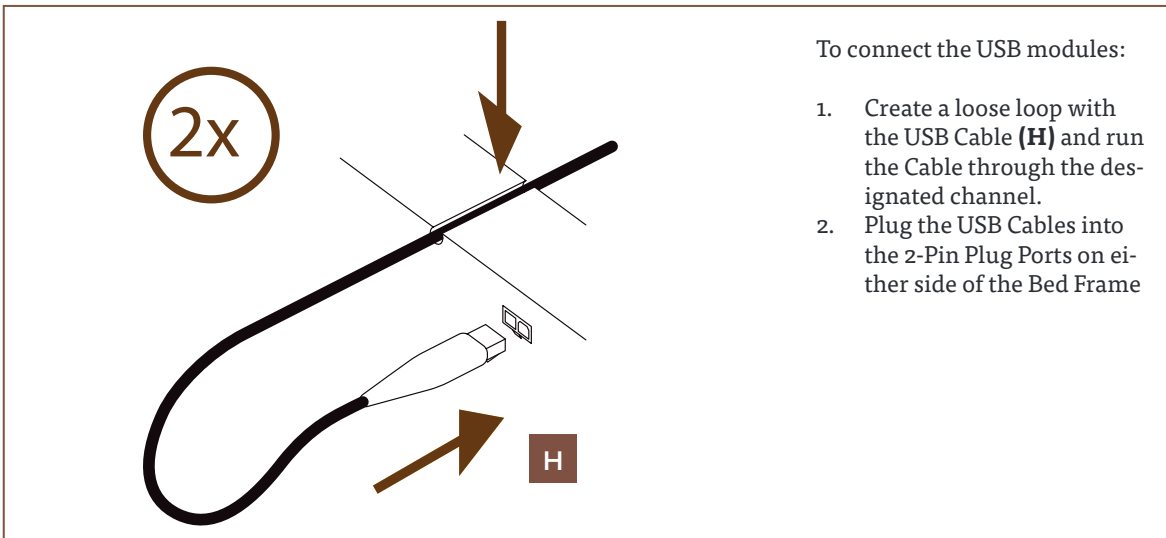
SILVERstandard+ (with Massage Function)



1. Connect the two Side Rails with the Side-to-Side Cable **(I)** by plugging each end into the appropriate Plug Port.
2. Connect one USB Module **(H)** on each Side Rail (see below).
3. Connect the Power Converter **(J)** to the appropriate Plug Port.
4. Plug the Massage Adapter Cable **(G)** or **Underbed Light cable** into the Plug Ports on the Side Rail.
5. Turn the Base Platform over so that it is face down across the Side Rails. Ensure its holes are aligned with the holes on the Side Rails **(A, B)**.
6. Use 4 Mounting Screws **(P)** to fix the Base platform **(M)** by hand. Turn each screw until it is hand-tight.

ENSURE ALL PLUGS ARE ORIENTED CORRECTLY





To connect the USB modules:

1. Create a loose loop with the USB Cable (**H**) and run the Cable through the designated channel.
2. Plug the USB Cables into the 2-Pin Plug Ports on either side of the Bed Frame

### NOTICE

Ensure that the Power Converter Cable is connected to the white, 10-Pin Plug Port on the Side Rail. Connecting the Power Cable to a different Plug Port may cause irreparable damage to the system.

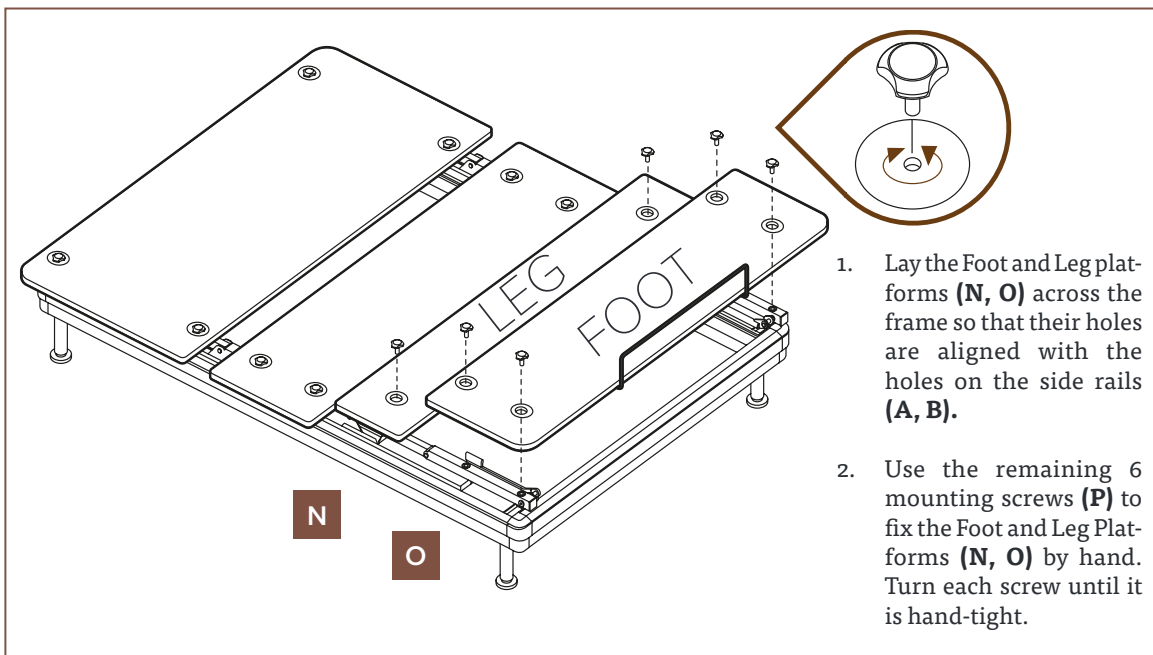
### CAUTION

#### Risk of minor or moderate injury through tripping

While mounting the Leg and Foot Platforms (**N, O**), you may have to step over the Side-to-Side Cable (**I**) or the Power Cable (**K**). Tripping over a Cable may lead to injury.

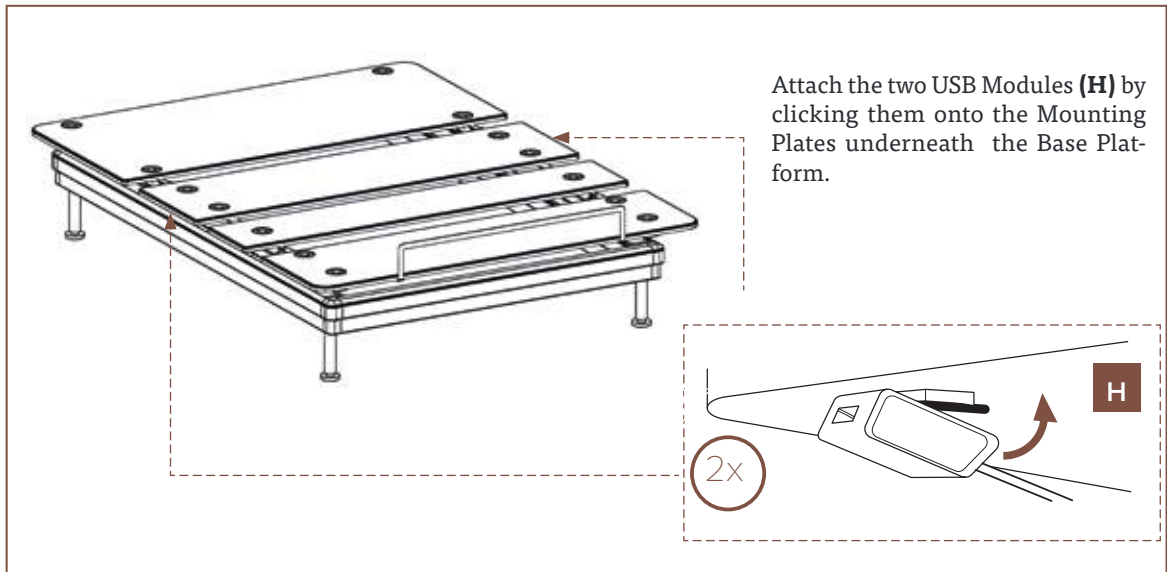
- Be careful not to trip over the Cables

## MOUNTING THE LEG AND FOOT PLATFORMS

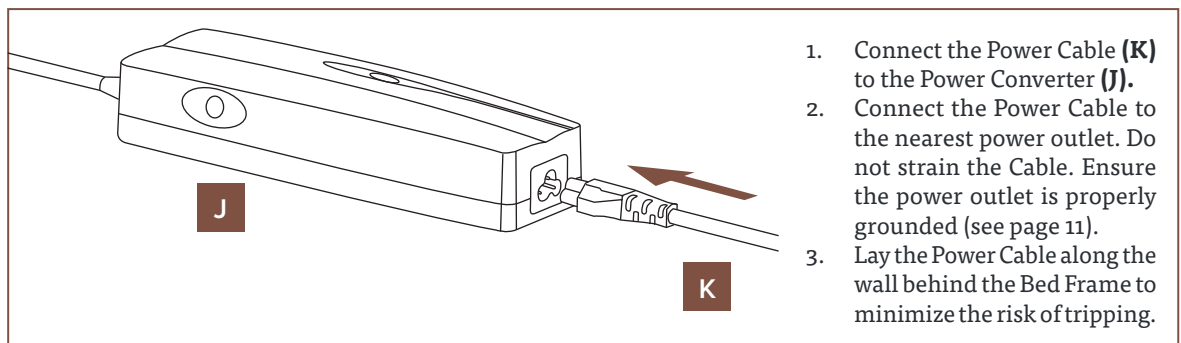


1. Lay the Foot and Leg platforms (**N, O**) across the frame so that their holes are aligned with the holes on the side rails (**A, B**).
2. Use the remaining 6 mounting screws (**P**) to fix the Foot and Leg Platforms (**N, O**) by hand. Turn each screw until it is hand-tight.

## ATTACHING THE USB MODULES



## CONNECTING THE POWER CABLE

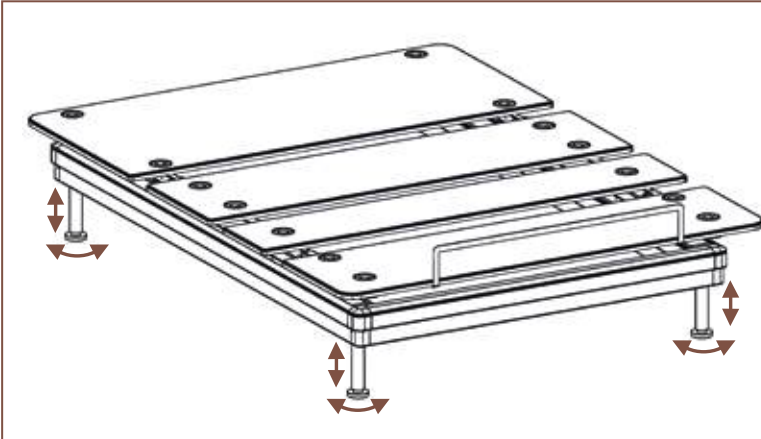


### NOTICE

Stretching or otherwise straining the Power Cable may damage it. This may lead to malfunctions with the Bed Frame.



## LEVELING THE BED FRAME



If the Bed Frame is on an uneven surface, you can level it by adjusting the legs individually.

To adjust the height of a leg, turn the lowest part of the leg until the desired height is reached.

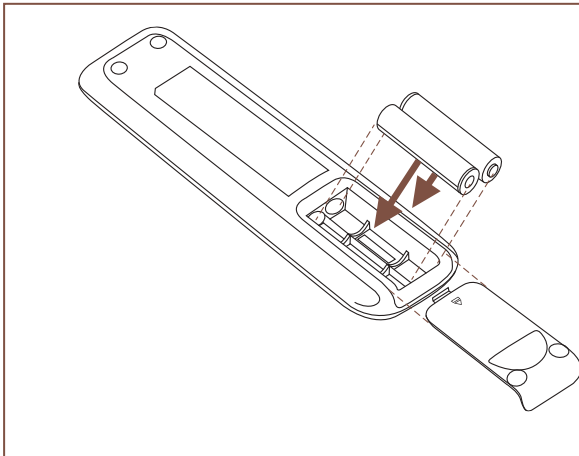
### NOTICE

Use a spirit level to check whether your Bed Frame is horizontal.

### NOTICE

If the Bed Frame is too close to the wall (or touching it), it may collide during movement. To avoid damage to the Bed Frame and the wall, ensure a small distance is kept.

## INSERTING THE BATTERIES



Insert two 1,5V AAA batteries into the Remote Control and slide the cover in position. The batteries are provided for you.

### NOTICE

Do not use rechargeable batteries.

### NOTICE

Remember to replace the batteries in the Remote Control once a year.

## PAIRING THE REMOTE CONTROL

In order to operate the Bed Frame, you must pair it to a Remote Control. First, ensure the Bed Frame has been unplugged for at least 10 seconds, then proceed as follows:

1. Plug the Bed Frame into the mains. This will automatically switch it to Pairing Mode for 30 seconds. In this time, the Bed Frame will search for Remote Controls to be paired with.
2. While the Bed Frame is in Pairing Mode, press any Button on the Remote Control. This will automatically pair the Remote Control to the Bed Frame.

### CAUTION

#### **Risk of minor or moderate injury**

It is possible that more than one Bed Frame will be within range of your Remote Control. Operating the wrong Bed Frame may lead to minor or moderate injury through crushing.

- Ensure the Remote Control is paired to the correct Bed Frame
- Ensure the Remote Control has been safely unpaired before using it on another Bed Frame

## UNPAIRING THE REMOTE CONTROL

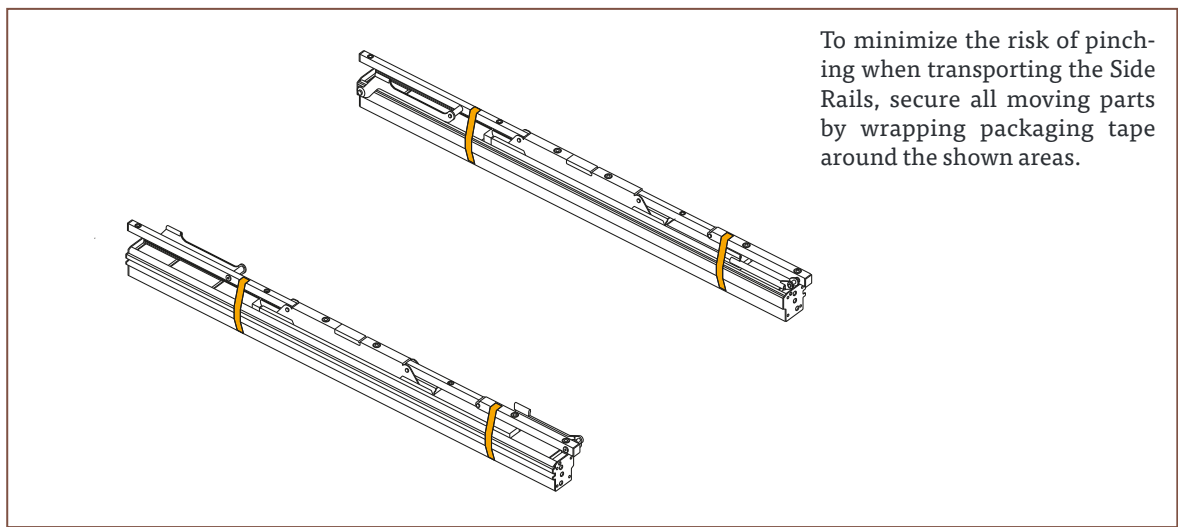
If you wish to unpair the Remote Control, proceed as follows:

1. Press and hold the **Head Platform UP** and **Foot Platform UP** Buttons simultaneously for at least 15 seconds.
2. Test the Remote Control to check that it has been safely unpaired.

# DISASSEMBLY AND TRANSPORTATION

## DISASSEMBLY

To disassemble the LOGICDATA SILVERstandard, you must first disconnect the Bed Frame from the power source. Then, follow the assembly instructions in reverse order.



### **⚠ CAUTION**

#### **Risk of minor or moderate injury through crushing**

Gripping the Side Rails by their moving parts when lifting or moving the Bed Frame may lead to minor or moderate injury through crushing.

- Do not touch moving parts when lifting or moving the Bed Frame
- Only grip the fixed part of the Bed Frame

### **✍ NOTICE**

If the Side-to-Side Cable is unplugged, you must perform a Flat Position Reset when it is reconnected. To do this, press the **Sleeping Position Button** for at least 15 seconds.

1. The Remote Control displays “F” to confirm the input.
2. Press and hold the Sleeping Position Button again to move the bed to the flat position
3. The Reset is complete

## TRANSPORTATION

After it has been fully assembled, the Bed Frame should only be moved short distances within the same room.

Lifting the Bed Frame requires two people. To lift the Bed Frame, each person must stand at opposite ends of the Bed Frame and grip either the Side Rails or the Crossbar (if reachable). If you cannot reach the Bed Frame, hold the Base Platform. If you intend to lift the bed by the Platforms, ensure that the Bed Frame has first been moved to the Sleeping Position.

### CAUTION

#### **Risk of minor or moderate injury through crushing**

Gripping the Side Rails by their moving parts when lifting or moving the Bed Frame may lead to minor or moderate injury through crushing.

- Do not touch moving parts when lifting or moving the Bed Frame
  - Only grip the fixed part of the Bed Frame
- 

### CAUTION

#### **Risk of minor or moderate injury through crushing**

Tilting the Bed Frame when lifting or moving the LOGICDATA SILVERstandard may lead to minor or moderate injury through crushing.

- Keep the Bed Frame level while lifting or moving it
  - Do not attempt to lift or move the Bed Frame alone
- 

### NOTICE

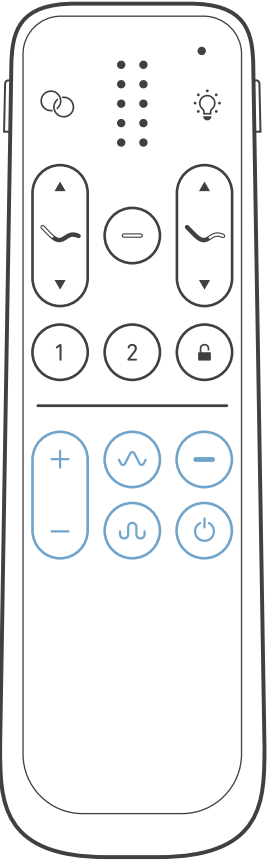
Moving the Bed Frame on its side or upside down may lead to damage to the product.


- Only move the Bed Frame while it is in horizontal position (facing upwards)
  - Disassemble the Bed Frame before moving it to a different location
-

# OPERATION


## REMOTE CONTROL

The LOGICDATA SILVERstandard comes with a range of different Remote Controls. The Remote Control supplied with your product depends on the model you have ordered. Your Remote Control may include the following Buttons and Indicators:




- 
**LED Array**  
 Shows the function that the Bed Frame is currently performing.


---

- 
**Head Platform and Foot Platform UP/DOWN Buttons**  
 Move the Head and Foot Platforms up and down.


---

- 
**Sleeping Position Button**  
 Moves the Bed Frame to a flat position.


---

- 
**Memory Position Buttons**  
 Move the Bed Frame to a saved Memory Position.


---

- 
**Child Lock Button**  
 Enables or disables the Child Lock (when held for 3 seconds).


---

- 
**Message Buttons\***  
 Activate Massage Mode. There are 3 settings: Constant, Wave and Pulse


---

- 
**Message Off Button\***  
 Switches off Massage Mode.


---

- 
**Message Intensity Button\***  
 Increases or decreases the intensity of Massage Mode.


---

- 
**Wireless Sync Indicator**  
 Blinks when Wireless Sync Mode is starting or ending.


---

- 
**Wireless Sync Button**  
 Activates or deactivates Wireless Sync Mode.

---

- 
**Underbed Light Indicator**  
 Lights up when the Underbed Light Button is pressed

---

- 
**Underbed Light Button**  
 Turns the Underbed Light on and off.

\*Only SILVERstandard+

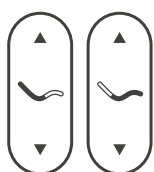
The Remote Control shown is representative. The Remote Control supplied with your product may vary.

## FUNCTIONS

Your Remote Control allows you to move all parts of the Bed Frame from a distance of 23 feet (7 m). All Remote Controls can perform standard functions, while advanced functions are only available using certain Remote Controls. Two Remote Controls can be connected to a Bed Frame at one time.

## MOVING THE BED FRAME UP AND DOWN

You can use the UP and DOWN Buttons to move the Head and Foot Platforms up and down:



1. Press and hold the UP or DOWN Button for the Platform you wish to adjust
2. Wait until the Bed Frame has reached the desired position
3. Release the UP or DOWN Button

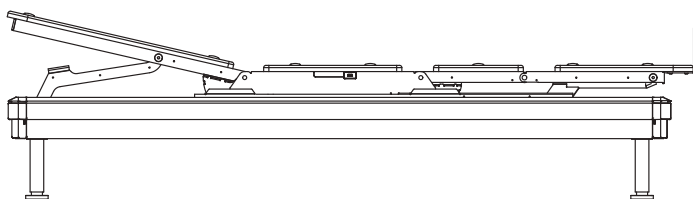
### NOTICE

The Bed Frame will continue to move until the Button is released or the highest / lowest possible position has been reached.

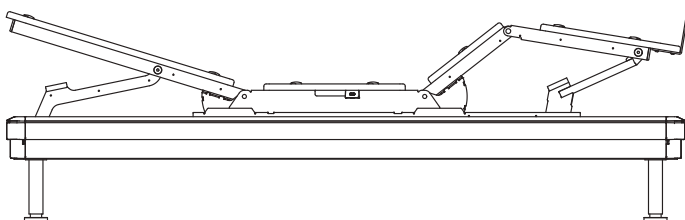
## SAVING A MEMORY POSITION

The LOGICDATA SILVERstandard comes with two saved Memory Positions: Anti-Snore (Position 1) and Zero Gravity (Position 2). You can move to these positions by pressing the Memory Position Buttons on your Remote Control.

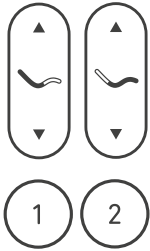
### 1. Anti-Snore Position



### 2. Zero Gravity Position



You can change the saved Memory Positions to new Memory Positions that you find more comfortable. To do this, proceed as follows:



1. Press and hold the UP or DOWN Button for the Platform you wish to adjust
2. Wait until the Bed Frame has reached the desired position
3. Release the UP or DOWN Button
4. Press and hold the Memory Position Button that you wish to save the new position to for at least three seconds
5. Release the Memory Position Button

### MOVING THE BED FRAME TO A SAVED MEMORY POSITION

Proceed as follows to move the Bed Frame to a saved Memory Position:



1. Press the Memory Position Button for the Memory Position you wish to move to (for less than three seconds)
2. Wait for the Bed Frame to move to the saved Memory Position

### MOVING THE BED FRAME TO THE SLEEPING POSITION

The Sleeping Position is the Bed Frame's lowest position. While in the Sleeping Position, all Platforms are horizontal. Proceed as follows to move the Bed Frame to the Sleeping Position:



1. Press the Sleeping Position Button (do not hold the Button)
2. Wait for the Bed Frame to move to the Sleeping Position

### PERFORMING A FLAT POSITION RESET

To perform a Flat Position Reset, press the **Sleeping Position Button** for at least 15 seconds, then:

1. The Remote Control displays "F" to confirm the input.
2. Press and hold the Sleeping Button again to move the bed to the flat position
3. The Reset is complete

If two beds are in Wireless Sync Mode, turn off Wireless Sync and reset each bed separately

### ACTIVATING THE CHILD LOCK

Always activate the Child Lock when children are near the Bed Frame. Proceed as follows:



1. Press and hold Child Lock Button for at least three seconds
2. Ensure that the LED Array shows "L". This means the Child Lock is active
3. To de-activate the Child Lock, press and hold the Child Lock Button for at least three seconds

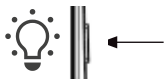
## **⚠ CAUTION**

### **Risk of minor or moderate injury to children**

Misuse of the Bed Frame by children could lead to minor or moderate injury.

- Activate the Child Lock when children are present
- Do not allow children to play with the Bed Frame

## **OPERATING THE UNDERBED LIGHT**



The LOGICDATA SILVERstandard is equipped with an Underbed Light. To turn the Light on or off, press the Underbed Light Button on the right-hand edge of the Remote Control.

## **OPERATING THE MESSAGE FUNCTION\***

Certain versions of the Bed Frame (SILVERstandard+) are equipped with a Massage Function. To begin using this function, proceed as follows:

1. Press any of the Massage Buttons on your Remote Control
2. Use the Massage Intensity Button to set the desired Massage Intensity. There are five levels of Intensity. The Massage Function always begins at level three
3. To stop the Massage, press the Massage Off Button on the Remote Control

## **✍ NOTICE**

The Massage Motor has a Duty Cycle of 45 minutes. After this, it will shut down for 15 minutes.

## **MESSAGE SETTINGS\***

There are three different Massage Settings to choose from. These are as follows:

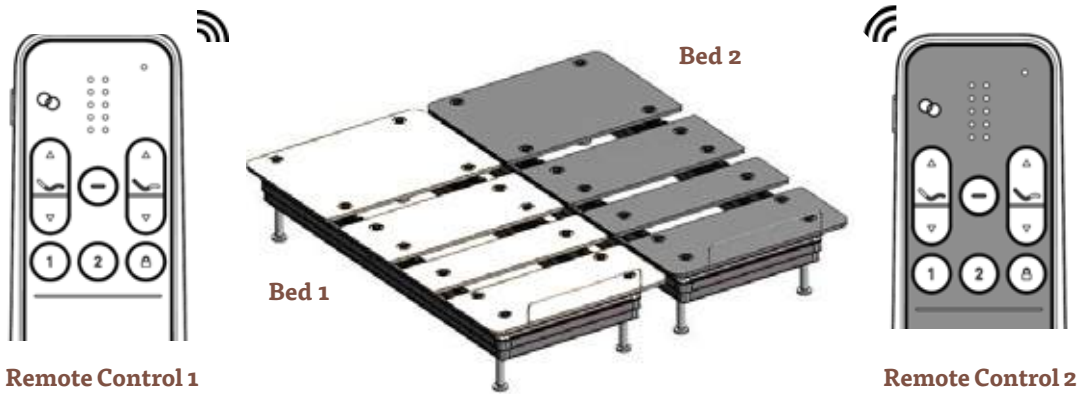
-  ■ **Constant**       ■ **Wave**       ■ **Pulse**

\*Only with SILVERstandard+



## WIRELESS SYNC MODE

The LOGICDATA SILVERstandard's Wireless Sync Mode allows you to control two Twin XL Bed Frames with one Remote Control.



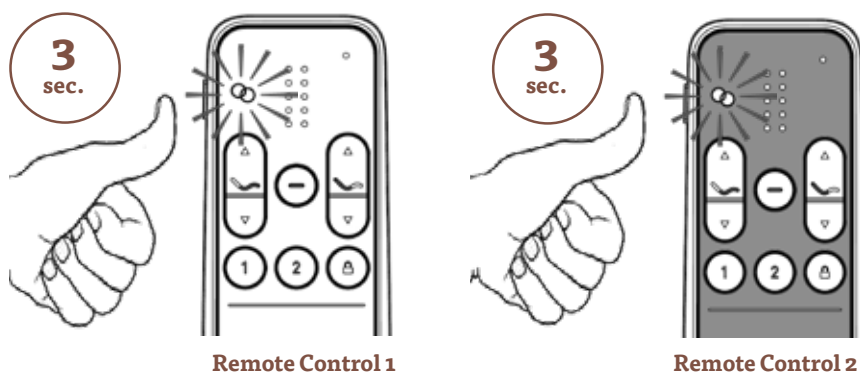
## ACTIVATING WIRELESS SYNC MODE

**Before you activate Wireless Sync Mode, please ensure:**

- Both Twin XL Bed Frames are standing next to each other
- The Bed Frames will not collide with each other when moving
- Each Bed Frame can be controlled using its own Remote Control

**To activate Wireless Sync:**

1. Press the Wireless Sync Button on both Remote Controls (on the left side of the Remote Control) simultaneously for 3 seconds
  2. Ensure that the Wireless Sync Indicator on both Remote Controls blinks for 5 seconds. When the blinking stops, the two Bed Frames have been paired
- If the Bed Frames still do not move together, repeat the procedure and make sure that the Sync Indicator on both Remote Controls is blinking.
  - If only one Remote Control can operate both Bed Frames, deactivate Wireless Sync Mode (see "Deactivating Wireless Sync Mode"). Then repeat steps 1 and 2.

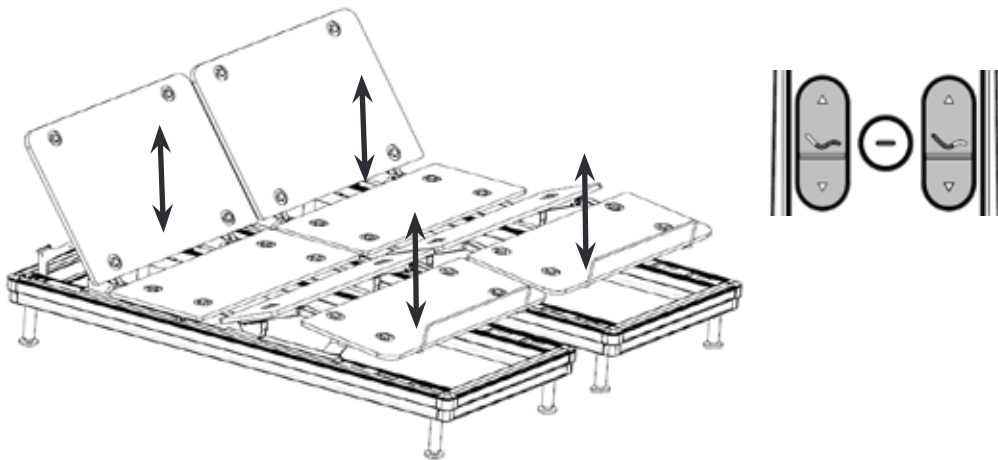


## NOTICE

If both Remote Controls are paired to the same Bed Frame, unplug the Power Converter of the unpaired Bed Frame until the LED on the Power Converter goes out. Then, plug the Power Converter back in. Press any Button on the Remote Control you want to pair to the unpaired Bed Frame to complete the pairing (see the section “Pairing the Remote Control” on page 26).

### MOVING THE BED FRAME UP AND DOWN IN WIRELESS SYNC MODE

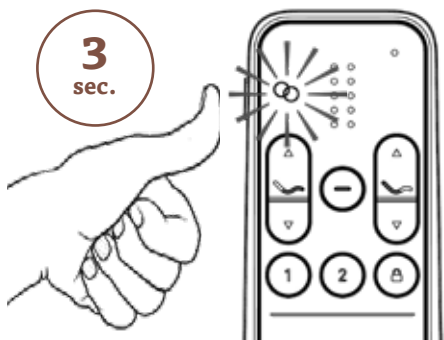
When Wireless Sync Mode is activated, pressing the UP and DOWN Buttons on either of the Remote Controls will move both Bed Frames simultaneously. The Massage and Underbed Light functions can also be controlled from a single Remote Control.



### DEACTIVATING WIRELESS SYNC MODE

You only require one Remote Control to deactivate Wireless Sync Mode:

1. Press and hold the Wireless Sync Button on one of the Remote Controls for 3 seconds
2. The Sync Indicator will blink for five seconds
3. When the blinking stops, the Bed Frames will be in Single Mode. If either Remote Control still operates both Bed Frames, repeat the procedure.



Remote Control 1 or 2

## FIXING MISALIGNMENT

If the two Bed Frames become misaligned (i.e. they are at different heights or positions), you must move both Bed Frames to their lowest position.



1. Press the Sleeping Position Button on one Remote Control.
2. Wait for both Bed Frames to reach their lowest position
3. The Bed Frames are realigned. You can continue adjusting the position of the Bed Frames as normal

If the Underbed Light on one Bed Frame is switched on while the other is off, press and hold the Underbed Light Button for 3 seconds to turn off both Underbed Lights.

## SAFETY ADVICE

### CAUTION

#### **Risk of minor or moderate injury to children**

In Wireless Sync Mode, use of the Bed Frame by children may lead to minor or moderate injury.

- Ensure that the Child Lock feature is activated properly on both Remote Controls. Activating the Child Lock on one Remote Control only locks that Remote Control's Button pad

### NOTICE

If the two connected Bed Frames have different saved Memory Positions, pressing a Memory Position Button will cause each Bed Frame to move to a different position. This is called Misalignment.

- Follow the instructions in the "Fixing Misalignment" section to realign the Bed Frames

### NOTICE

Ensure each Bed Frame is connected to the mains properly. Bad connections can damage the system.

### NOTICE

Pressing too many Buttons in a short space of time can cause damage to the system.

- Wait one second between pressing different Buttons

### NOTICE

Wireless Sync Mode is only designed to work with two Bed Frames. Attempting to connect more than two Bed Frames can cause damage to the system.

### NOTICE

Wireless Sync Mode will remain active if the Bed Frame is unplugged and then plugged back in.

# CLEANING AND MAINTENANCE

## CLEANING

### **⚠ WARNING**

#### **Moderate risk of death or serious injury through electric shocks**

Leaving the Bed Frame plugged in while cleaning it may lead to death or serious injury through electric shocks.

- Use only a dry or slightly damp lint-free cloth to clean the Bed Frame
- Do not allow any of the Bed Frame's components to become wet during cleaning
- Always unplug the Bed Frame from the mains before cleaning

### **✍ NOTICE**

Cleaning agents, such as non-alcohol based cleaners, sanitizers, and others can destroy the anodized layer of the LOGICDATA SILVERstandard. Use only a dry or slightly damp lint-free cloth to clean the Bed Frame

## MAINTENANCE

The LOGICDATA SILVERstandard does not require maintenance. If the Bed Frame becomes damaged, or if you are experiencing technical difficulties, please contact LOGICDATA using the details below:

Phone: **800-305-1925**

E-Mail: **support.us@logicdata.net**



[adjustables.logicdata.net](http://adjustables.logicdata.net)

# POSSIBLE MALFUNCTIONS AND THEIR SOLUTIONS

## BEHAVIOR

Remote lights up but the Bed Frame does not respond when Buttons are pressed.

## POSSIBLE CAUSE / SOLUTION

1. The Bed Frame is not connected properly. Check the power connection
2. Overheating after continuous use. Ensure that the Duty Cycle has not been exceeded. Wait for at least 6 minutes for the Duty Cycle time-out to reset itself.
3. Unplug the Power Converter. Wait until the LED goes out, then plug it back in.

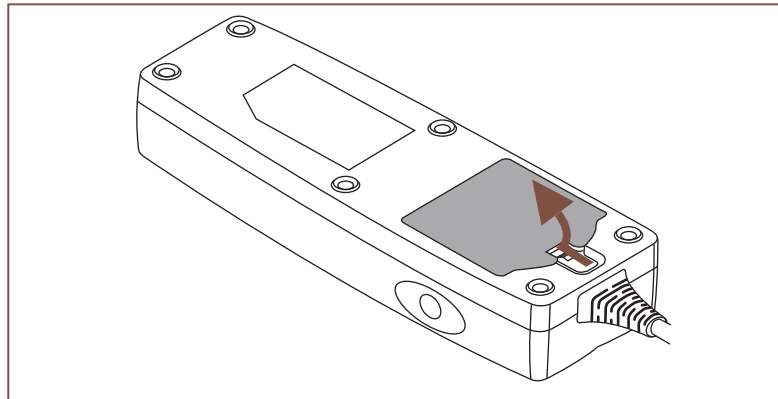
Remote does not light up. The Bed Frame does not respond when Buttons are pressed.

Replace the batteries in the Remote Control.

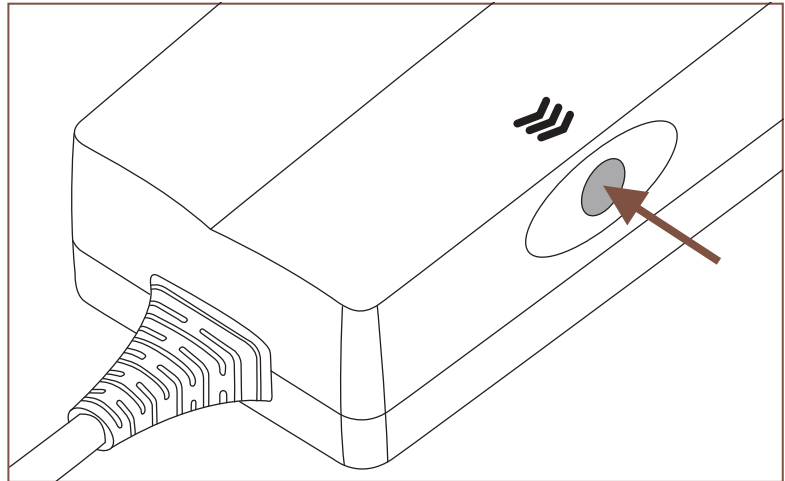
Parts of the Bed Frame remain in an elevated position after a power failure.

An Emergency Lowering is required. Proceed as follows:

1. Unplug the Power Converter from the mains
2. Remove the cover of the Power Converter (see below):



3. Insert two 9V batteries into the Power Converter. Do not use rechargeable batteries.
4. Make sure no heavy objects or any person is on the bed or in the range of moving parts.
5. Press the Button on the Power Converter until the Bed Frame reaches the flat position:



After this action, the batteries must be replaced.  
 If you store batteries in the power supply as a backup, they must be replaced annually.

---

Remote Control defective or lost.	Press the Button on the Power Converter until the Bed Frame is in the Sleeping Position.
-----------------------------------	--

---

Parts of the Bed Frame do not move evenly.	The Bed Frame may be on an uneven surface. Make sure the Bed Frame is leveled properly (see the section “Leveling the Bed Frame”. Make sure no persons or heavy objects are on the Bed Frame or in the range of moving parts.
--	---

The Bed Frames may be misaligned. Follow the instructions in the section “Fixing Misalignment” to realign the Bed Frames.

## **⚠ WARNING**

### **Moderate risk of death or serious injury to children**

Operating the Power Converter or performing an Emergency Lowering using the Button on the Power Converter will override the Child Lock feature. This may lead to death or serious injury to children.

- Keep children away from moving parts
- Do not let children play with the Bed Frame

## **🔧 NOTICE**

When an Emergency Lowering is performed, only the Bed Frame connected to the Power Converter will be operated. You will need to perform separate Emergency Lowerings for Bed Frames connected by Wireless Sync. Wireless Sync Mode will be activated again afterwards.

# TECHNICAL DATA

PROPERTY	SPECIFICATION		
Input Voltage	100-240 V		
Rated Input current	2,2 A		
Suitable mattress dimensions	King 76 in × 80 in	Queen 60 in × 80 in	Twin XL 39 in × 80 in
Ambient conditions	Indoor use only		
Maximum load	700 lbs evenly distributed		

# FINAL DISPOSAL

Before disposing of the product, check the types of raw materials used in the Bed Frame and make plans to dispose of them accordingly.

This product should not be disposed of with regular household waste. Adhere to the disposal procedures for the raw materials and components used. Recycle as many parts as possible.

Careless or incorrect disposal may cause irreversible environmental harm. Ensure that measures are taken to protect nature, the environment, and the economy.

## NOTICE

Dispose of all materials and parts according to local guidelines and regulations. Ensure that the disposal is lastingly compatible for humans and nature.

# MOTION FOR YOUR LIFE

**LOGICDATA Headquarters**  
**Electronic & Software Entwicklungs GmbH**  
Wirtschaftspark 18  
8530 Deutschlandsberg  
AUSTRIA

**LOGICDATA North America Inc.**  
1525 Gezon Parkway SW, Suite C  
Grand Rapids, MI 49509  
USA

[adjustables.logicdata.net](http://adjustables.logicdata.net)



**Watch the assembly video at**  
[adjustables.logicdata.net](http://adjustables.logicdata.net)

**Do you need support?**  
Phone: **800-305-1925**  
E-Mail: [support.us@logicdata.net](mailto:support.us@logicdata.net)