



MIDDLErail

DESCRIPTION

Formidable. The MIDDLErail is a sleek, versatile adjustment module for box spring beds and similar frames. With smooth up/down motion, and programmable memory positions, it delivers maximum flexibility. Choose from wired, wireless, or smartphone app controls. Its low-profile design with integrated electronics keeps the under-bed area clean. Compatible with bed lengths of 190 cm–220 cm and widths of 60 cm–140 cm, the MIDDLErail is a compact, powerful solution for enhanced functionality.

FEATURES

- Clean Design with Integrated Power Supply and Cable Routing
- Head and Foot Adjustment
- 250 kg Load Capacity Static
- 150 kg Load Capacity Dynamic
- Wired, Wireless Remote and App Control
- Mechanical Emergency Lowering
- Free-Fall Design
- Compatible to a High Range of Bed Sizes
- MIDDLErail Consists of 3 Configurable Components

Contact Headquarters

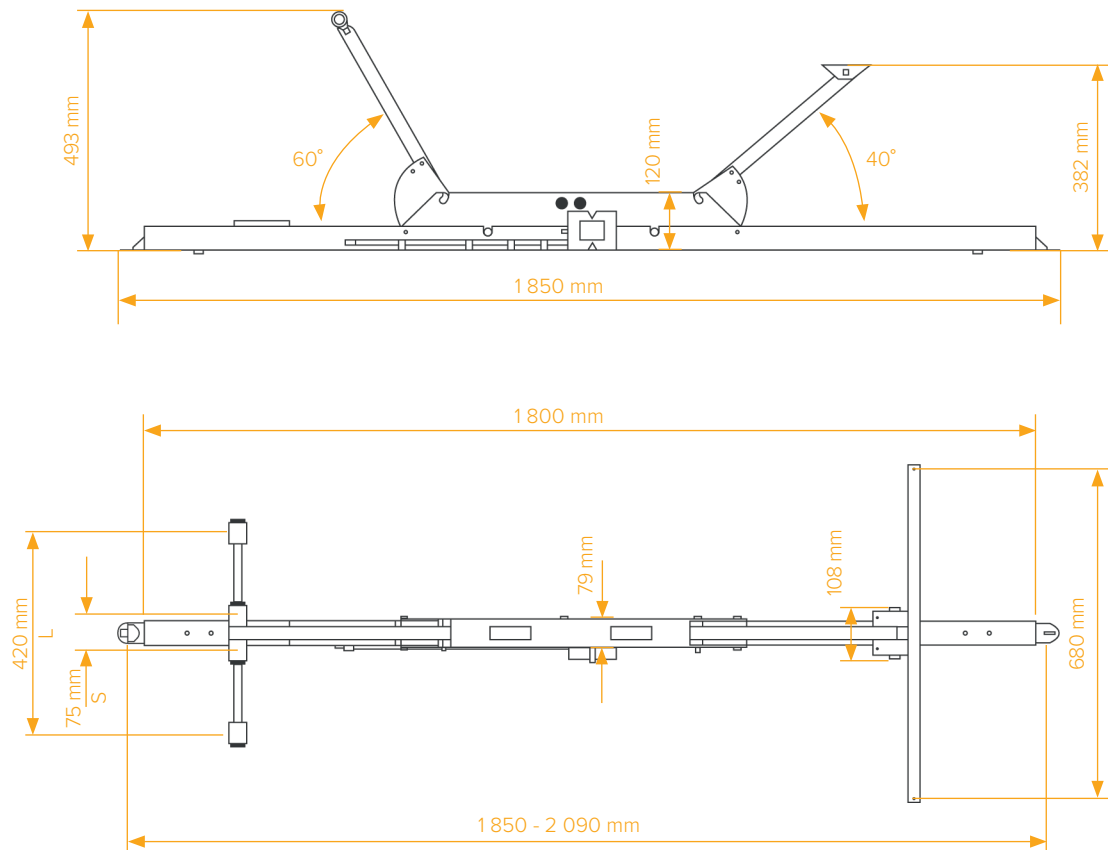
LOGICDATA Electronic & Software Entwicklungs GmbH
Wirtschaftspark 18, 8530 Deutschlandsberg, office@logicdata.net

North America

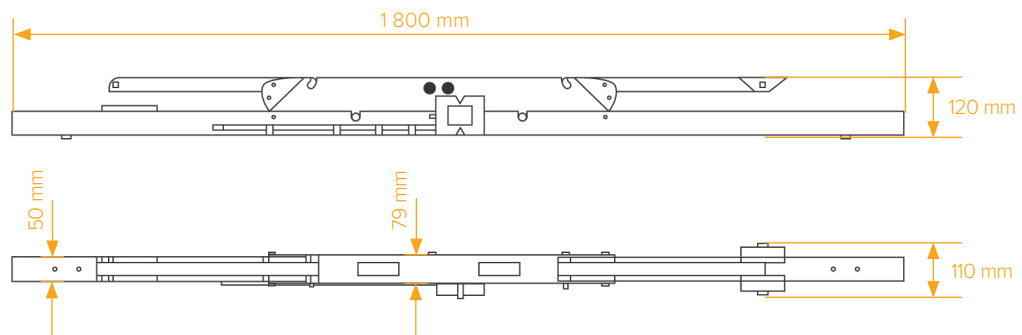
LOGICDATA North America Inc., 13617 Woodlawn Hills Dr.,
Cedar Springs, MI 49319, USA, support.na@logicdata.net

TECHNICAL DATA

Sizes:



In package:

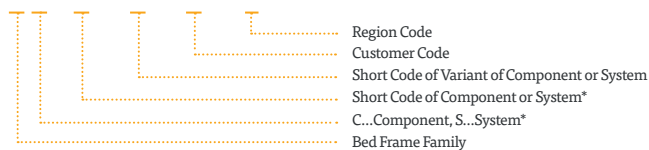


TECHNICAL DATA

Rated Input Voltage / Current	100-240V 1,6A
Standby Power Consumption	0,4W (will be reached 5 seconds after last button press)
Head Up / Foot Up Angle	60° 40°
Wireless Working Frequency	2,4 GHz
Weight Excl. Packaging	11 kg
Compatible Bed Frame Sizes	Width: 60-140 cm Length: 190-220 cm
Max Load, Evenly Distributed (Excluding Mattress)	Static 250 kg Dynamic 150 kg
Ambient Conditions (Operation)	Temperature between +5 °C and +40 °C. Maximum relative humidity between 95% and 68% (lower allowed)
Ambient Conditions (Transport/Storage)	Temperature between -35 °C and +80 °C. Temperature over +50 °C only for periods not exceeding 72 h. Maximum relative humidity between 95% and 5% (lower allowed)
Compliant Regulations	Radio Equipment Directive (RED) 2014/53/EU Directive on Machinery (MD) 2006/ 42/EC Restriction of Hazardous Substances (RoHS) 2011/65/EU
Immunity to ESD Interference (EN 61000-6-2)	Conducted discharge: level 4 8 kV Air discharge: level 4 15 kV

SFC - MDR - 180 - LDS - EU

SFa - bbb - ccc - ddd - eee



System not available for MIDDLErail

Order Codes

1. Rail:

Base: SFC-MDR-180-LDS-EU

2. User Interface:

Cable: SFC-HS-CB-LDS

Wireless: SFC-HS-WB-LDS

Bluetooth/App: SFC-BT-RJ-LDS

3. Head support:

60-90 cm: SFC-MDR-HDS-LDS-EU

90-140 cm: SFC-MDR-HDL-LDS-EU

4. Synchronization:

Sync Cable: SFC-CBL-SYN-LDS